

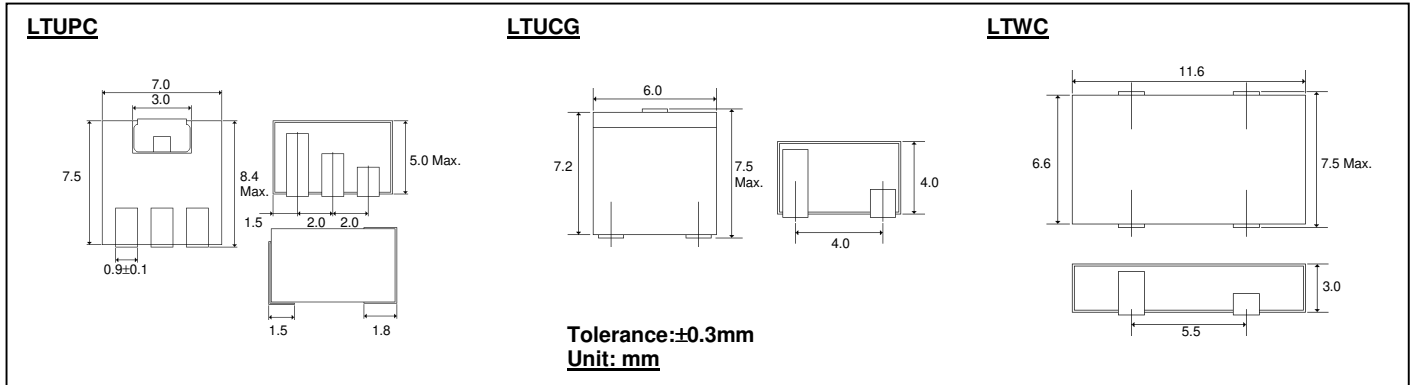


SMD Ceramic Filter (Telecommunication)

Product Name	Part Number	Package Type	Minimum Quantity* (Pieces)	
			Bulk	Tape
4-Element SMD Ceramic Filter	LTUPC	SMD Type	-	1,500
4-Element SMD Ceramic Filter	LTUCG	SMD Type	-	1,500
6-Element SMD Ceramic Filter	LTWC	SMD Type	-	1,500

* The quantity of each delivery / order must be an integral multiple of the "Minimum Quantity"

● Dimension



● Electrical Specifications of LTUPC and LTUCG

Part No.	Center Frequency (Center of 6dB Bandwidth) KHz	Bandwidth		Stop Band Att. ±100KHz dB Max.	Insertion Loss at Min. Loss Point dB Max.	Ripple dB Max.	Input/output Impedance Ω
		6dB KHz Min.	40dB KHz Max.				
LTUPC450D/455D LTUCG450D/455D	$f_0 \pm 1.5$	±10.0	±20.0	27.0	4.0	2.0 (±7KHz)	1500
LTUPC450E/455E LTUCG450E/455E	$f_0 \pm 1.5$	±7.5	±15.0	27.0	6.0	2.0 (±5KHz)	1500
LTUPC450F/455F LTUCG450F/455F	$f_0 \pm 1.5$	±6.0	±12.5	27.0	6.0	2.0 (±4KHz)	1500
LTUPC450G/455G LTUCG450G/455G	$f_0 \pm 1.5$	±4.5	±10.0	25.0	6.0	2.0 (±3KHz)	1500

- For other frequencies or specifications, please consult with our sales representatives for details.

● Electrical Specifications of LTWC

Part No.	Center Frequency (Center of 6dB Bandwidth) KHz	Bandwidth			Stop Band Att. ±100KHz dB Max.	Insertion Loss at Min. Loss Point dB Max.	Ripple dB Max.	Spurious Response (0.1~1.0MHz) dB Max.	GDT Ripple Deviation μSec Max.	Input/output Impedance Ω
		3dB KHz Min.	6dB KHz Min.	50dB KHz Max.						
LTWC450D/455D	$f_0 \pm 1.5$	±7.0	±10.0	±20.0	50.0	4.0	2.0 (±7KHz)	20.0	50 (±7KHz)	1500
LTWC450E/455E	$f_0 \pm 1.5$	±5.5	±7.5	±15.0	50.0	4.0	2.0 (±5KHz)	20.0	50 (±5KHz)	1500
LTWC450F/455F	$f_0 \pm 1.5$	±4.0	±6.0	±12.0	47.0	6.0	2.0 (±4KHz)	20.0	50 (±4KHz)	1500
LTWC450G/455G	$f_0 \pm 1.5$	±3.0	±4.5	±10.0	47.0	6.0	2.0 (±3KHz)	20.0	50 (±3KHz)	1500

- For other frequencies or specifications, please consult with our sales representatives for details.