

# SHOULDER

## SPECIFICATION

<b>Item:</b>	Ceramic Filter
<b>Type:</b>	LTS...W

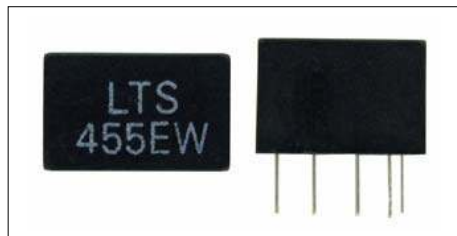




## LTS...W

### Scope

This specification shall cover the characteristics of the XT...MB Ceramic Filter.



Ceramic Filters LTM 455/450W Series are miniaturized versions of the CFU/CFWS lines. These compact, highly selective characteristics are recommended for use in applications ranging from two-way radio to auxiliary filters in high class transceivers. These ultra-miniature versions consume approximately 40% less volume while still offering the same high performance characteristics.

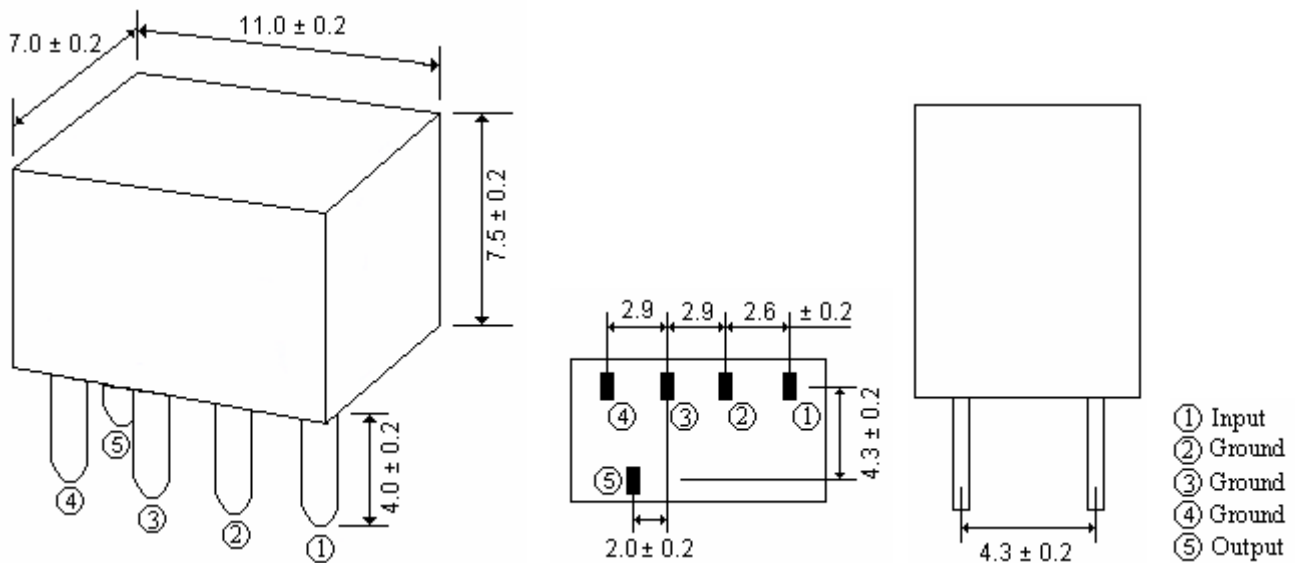
Table 1

Part Number	Center Frequency In (KHz)	Insertion Loss (dB)	Pass Band Ripple (dB) max	6dB Bandwidth (KHz) min	50dB Bandwidth (KHz) min	Stop Band Att. 10KHz (dB) min	Input/Output Impedance ( $\Omega$ )
LTS450BW	450 $\pm$ 2.0	4	2	$\pm$ 15	$\pm$ 30	45	1500
LTS455BW	455 $\pm$ 2.0	4	2	$\pm$ 15	$\pm$ 30	45	1500
LTS450CW	450 $\pm$ 2.0	4	2	$\pm$ 12.5	$\pm$ 24	45	1500
LTS455CV	455 $\pm$ 2.0	4	2	$\pm$ 12.5	$\pm$ 24	45	1500
LTS450DW	450 $\pm$ 1.5	4	2	$\pm$ 10	$\pm$ 20	45	1500
LTS455DW	455 $\pm$ 1.5	4	2	$\pm$ 10	$\pm$ 20	45	1500
LTS450EW	450 $\pm$ 1.5	6	2	$\pm$ 7.5	$\pm$ 15	45	1500
LTS455EW	455 $\pm$ 1.5	6	2	$\pm$ 7.5	$\pm$ 15	45	1500
LTS450FW	450 $\pm$ 1.5	6	2	$\pm$ 6	$\pm$ 12.5	45	2000
LTS455FW	455 $\pm$ 1.5	6	2	$\pm$ 6	$\pm$ 12.5	45	2000
LTS450GW	450 $\pm$ 1.5	6	2	$\pm$ 4.5	$\pm$ 10	45	2000
LTS455GW	455 $\pm$ 1.5	6	2	$\pm$ 4.5	$\pm$ 10	45	2000
LTS450HW	450 $\pm$ 1.0	6	2	$\pm$ 3	$\pm$ 9	45	2000
LTS455HW	455 $\pm$ 1.0	6	2	$\pm$ 3	$\pm$ 9	45	2000
LTS450IW	450 $\pm$ 1.0	6	2	$\pm$ 2	$\pm$ 7.5	45	2000
LTS455IW	455 $\pm$ 1.0	6	2	$\pm$ 2	$\pm$ 7.5	45	2000
LTS450HTW	450 $\pm$ 1.0	6	2	$\pm$ 3	$\pm$ 9	60	2000
LTS455HTW	455 $\pm$ 1.0	6	2	$\pm$ 3	$\pm$ 9	60	2000

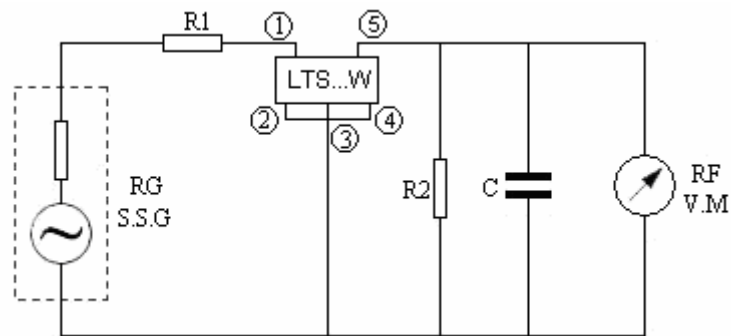


LTS...W

## Mechanical Dimensions (All in mm) LTS...W

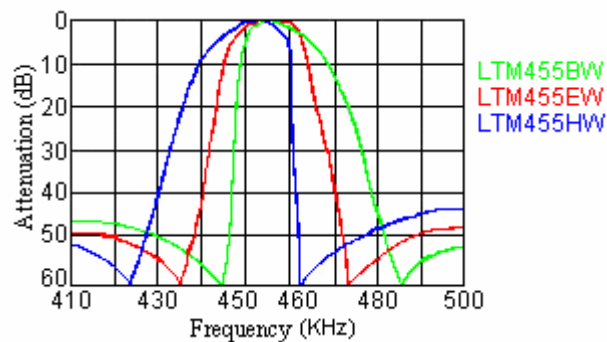


## Test Circuit LTS...W



$R_g + R1 = R2 = \text{Input/Output Impedance}$

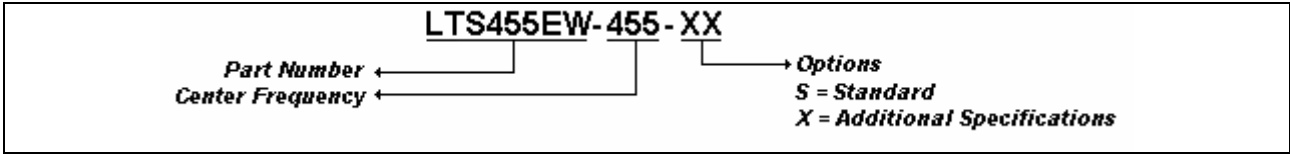
## Series Characteristics LTS...W





## LTS...W

### Through Hole Ceramic Filter Part Numbering System (Example)



<b>LTS455EW</b>	<b>455</b>	<b>S</b>
↕	↕	↕
Part Number	Center Frequency In (KHz)	Option (can be blank)
See Table (1)	See Table (1)	S = Standard X = Additional Specifications