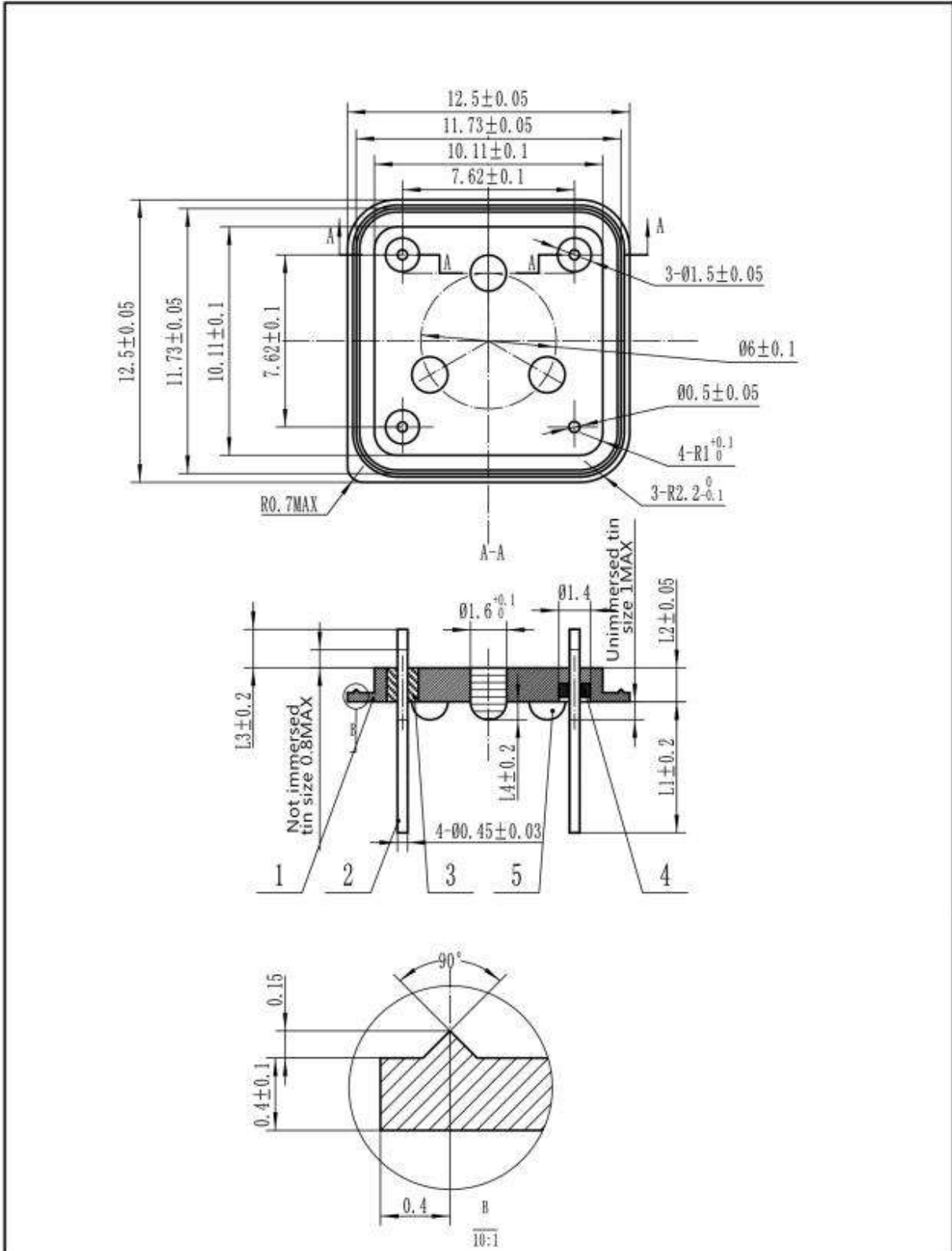


OSC8-B-L1-5.8-L3-1.7-W-BU(OSC0301)

RoHS Compliant
Lead free
Lead-free soldering

 conflict mineral free
 REACH compliant



selection bar	Product Code	Code size of each part						Remark
		L1	L2	L3	L4	Lead Bead Color	Support bead color	
	XR010901	5.8	1.5	1.7	0.6	White	blue	OSC0301

Substrate plating nickel thickness (Ni) thickness: 4-7 microns							
Thickness of base nickel plating (Ni-P): 3-10 microns							
Lead immersion tin thickness (Sn) thickness: more than 2 microns							
Note: If the dimension in the code size column has a tolerance, the tolerance in the code size column shall prevail							
serial number	part	material	quantity	name	OSC HALF base		
1	substrate	SPCC-SD	1				
2	lead	KOVAR	4	drawing number	XR-01-09		
3	lead glass beads	GLASS	3	Proportion	none	date	2017-01
4	silver circle	92.5% silver	1	unit	mm		
5	Support glass beads	GLASS	3				
serial number	Revise		date	Revised by	design	audit	approve
1					刘尹	张传哲	
2							

© Copyright 2017 StrongFirst. All Rights Reserved.