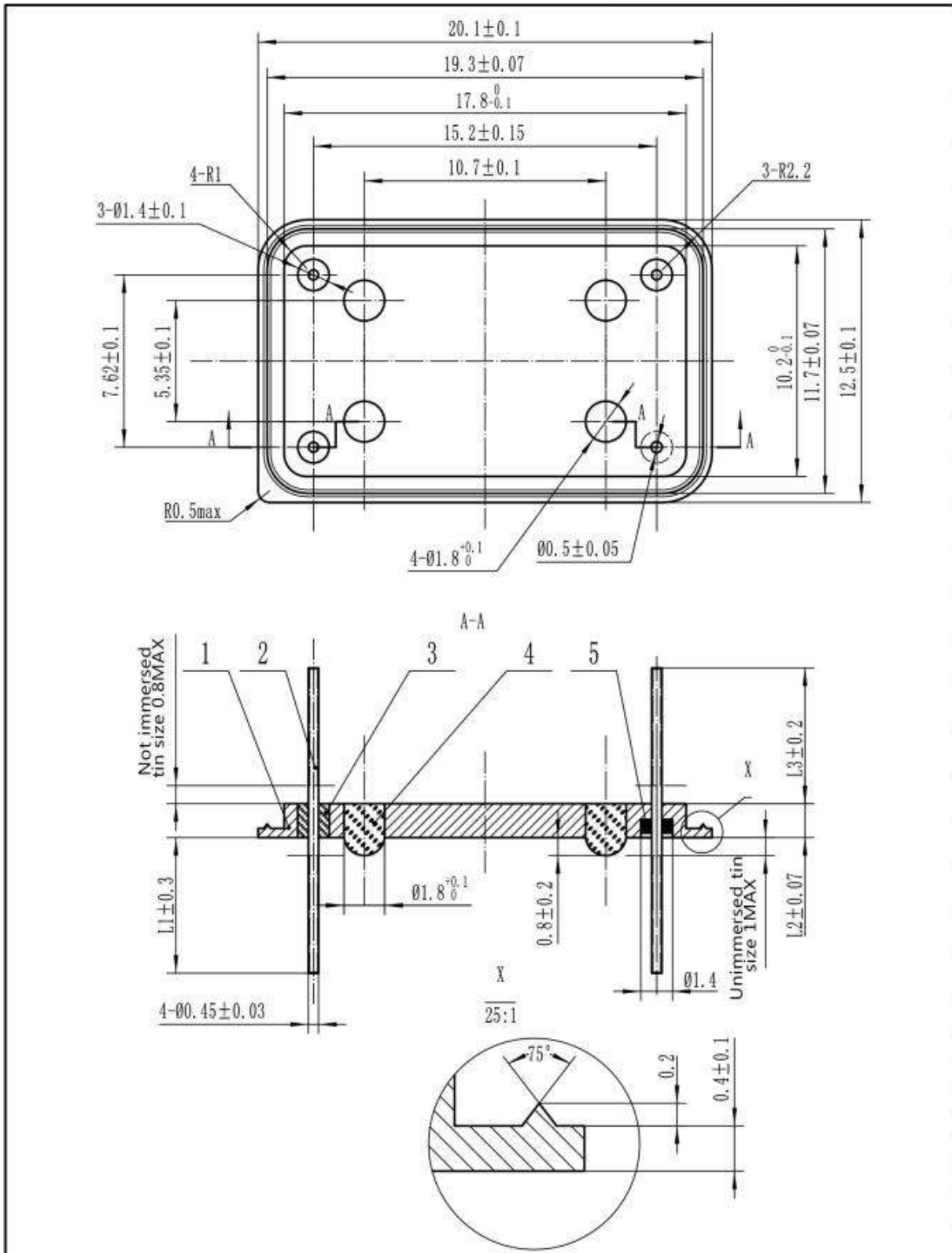


OSC14-BL1-6-L3-1.5-WW (OSC0101)

RoHS Compliant
Lead free
Lead-free soldering

conflict mineral free
REACH compliant



selection bar	Product Code	Code size of each part					Remark
		L1	L2	L3	Lead Bead Color	Support bead color	original product code
✓	XR011001	6.0	1.5	1.5	White	White	OSC0101

Substrate plating nickel thickness (Ni) thickness: 4-7 microns

Thickness of base nickel plating (Ni-P): 3-10 microns

Lead immersion tin thickness (Sn) thickness: more than 2 microns

Note: If the dimension in the code size column has a tolerance, the tolerance in the code size column shall prevail

serial number	part	material	quantity	name	OSC FULL base		
1	substrate	SPCC-SD	1				
2	lead	KOVAR	4	drawing number	XR-01-10		
3	lead glass beads	GLASS	3	Proportion	none	date	2016-08-11
4	Support glass beads	GLASS	4	unit	mm		
5	silver circle	92.5% silver	1				
serial number	Revise		date	Revised by	design	audit	approve
1					宋宝磊	张传哲	
2							

© Copyright 2017 StrongFirst. All Rights Reserved.