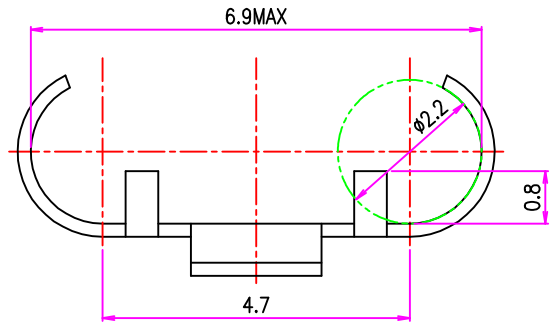
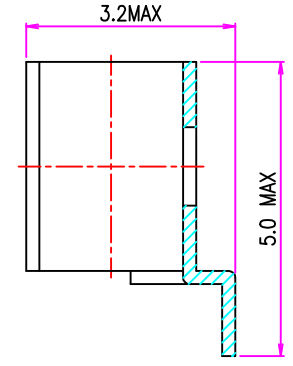
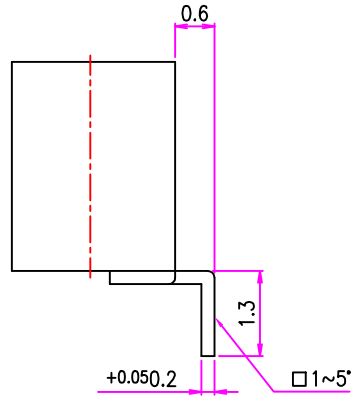
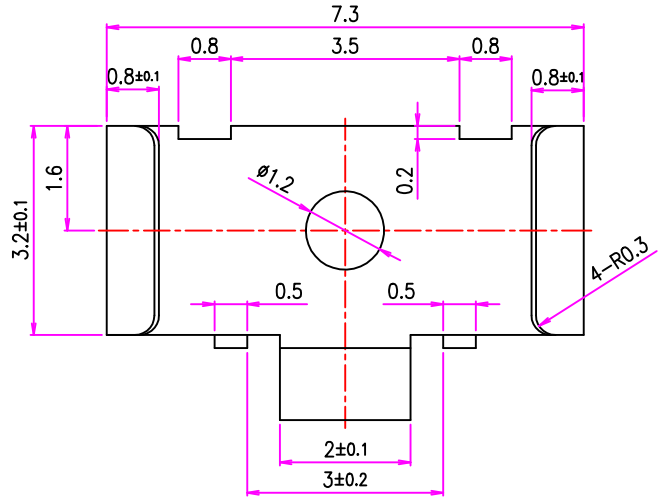


ITEM	DESCRIPTION	MATERIAL	Q'TY	SIZE	PART DRAWN NO	WT(Kg)
2	UM JACKET	Ni Silver				



NOTE  
 1. Material : Ni Silver  
 2. Tolerance : ±0.2  
 3. Plating : Ni 1~2 μm + Sn 5~10 μm

Designed by Yoo.KH	Checked by	Approved	Reference	Date 2020.8.13	Scale 10:1	Sheet
			Project Title UM JACKET			
			Drawing No. GEC-A72-002			
Ⓒ						
Ⓑ						
Ⓐ						
Mark	Revision	Date	Drawn	Check	Appr	Note