

TSC6

(F, S, R) SERIES

FEATURES

As well as applications to small sized electronic apparatus, this series is designed for easy handling and is available with a variety of adjustment method (top, buttome, side and double sides).

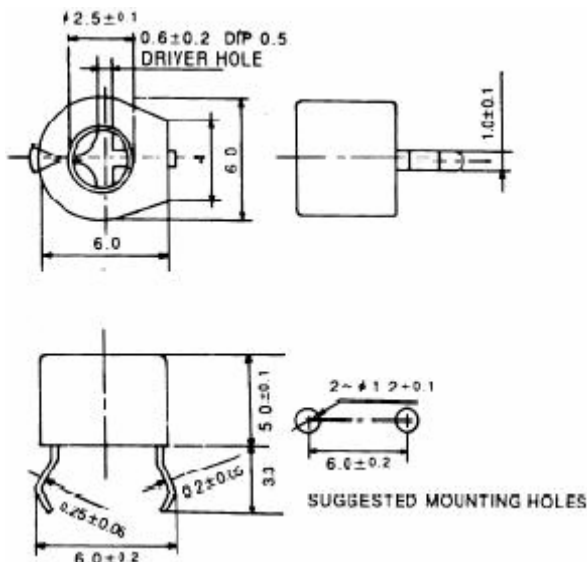
- Wide mounting sizes and types of adjustment available
- Lots of capacity ranges, 2pF through 90pF
- Sturdy mechanical structure againes vibration or shock

SPECIFICATIONS

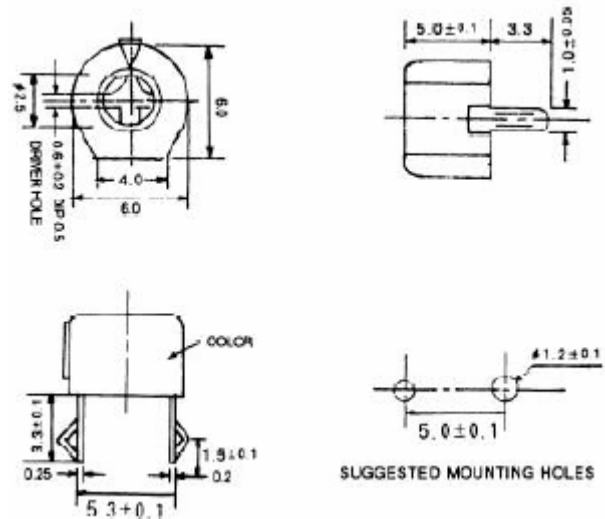
INSULATION RESISTANCE	10 MΩ at 250VDC
WITHSTAND VOLTAGE	400VDC
WORKING VOLTAGE	200VDC
ROTATION TORQUE	20 to 150 gr-cm
OPERATING TEMPERATURE	-30°C to +85°C



FORMING TYPE

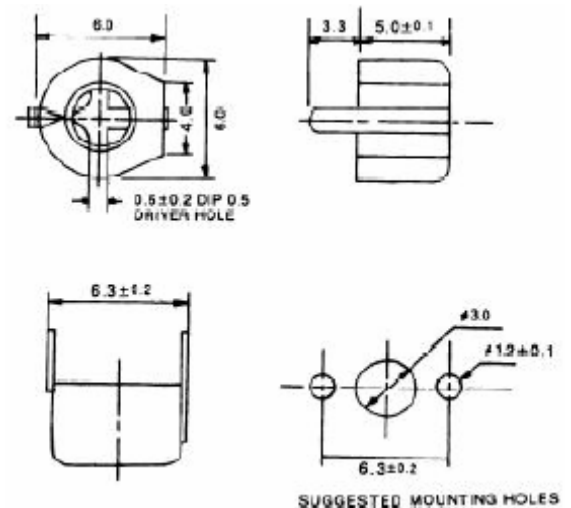


STRAIGHT TYPE



UNIT:MM

REARADJUSTING TYPE



PART NO.	MIN. CAP. (PF)	MAX. CAP. (PF)	TEMP. COEFF. PPM/°C	Q FACTOR @ 1MHz Cmax	COLOR
TSC (F,S,R)06-050	2.0 max	5 +100 -0 %	NPO ± 200	>500	BLUE
TSC (F,S,R)06-100	3.0 max	10 +100 -0 %	N470 ± 300	>500	WHITE
TSC (F,S,R)06-200	4.2 max	20 +50 -0 %	N450 ± 300	>500	RED
TSC (F,S,R)06-300	6.2 max	30 +50 -0 %	N750 ± 500	>500	GREEN
TSC (F,S,R)06-400	6.8 max	40 +50 -0 %	N1200 ± 500	>300	YELLOW
TSC (F,S,R)06-500	9.8 max	50 +50 -0 %	N1200 ± 500	>300	BROWN
TSC (F,S,F)06-600	10.2 max	60 +50 -0 %	N1200 ± 500	>200	BROWN

Note: Specification are subject to change without notice. For more detail and update, please visit our website.