

Coin Type Super Capacitor – JGA

FEATURES

- Standard coin-type
- Small-sized, large capacity

APPLICATIONS

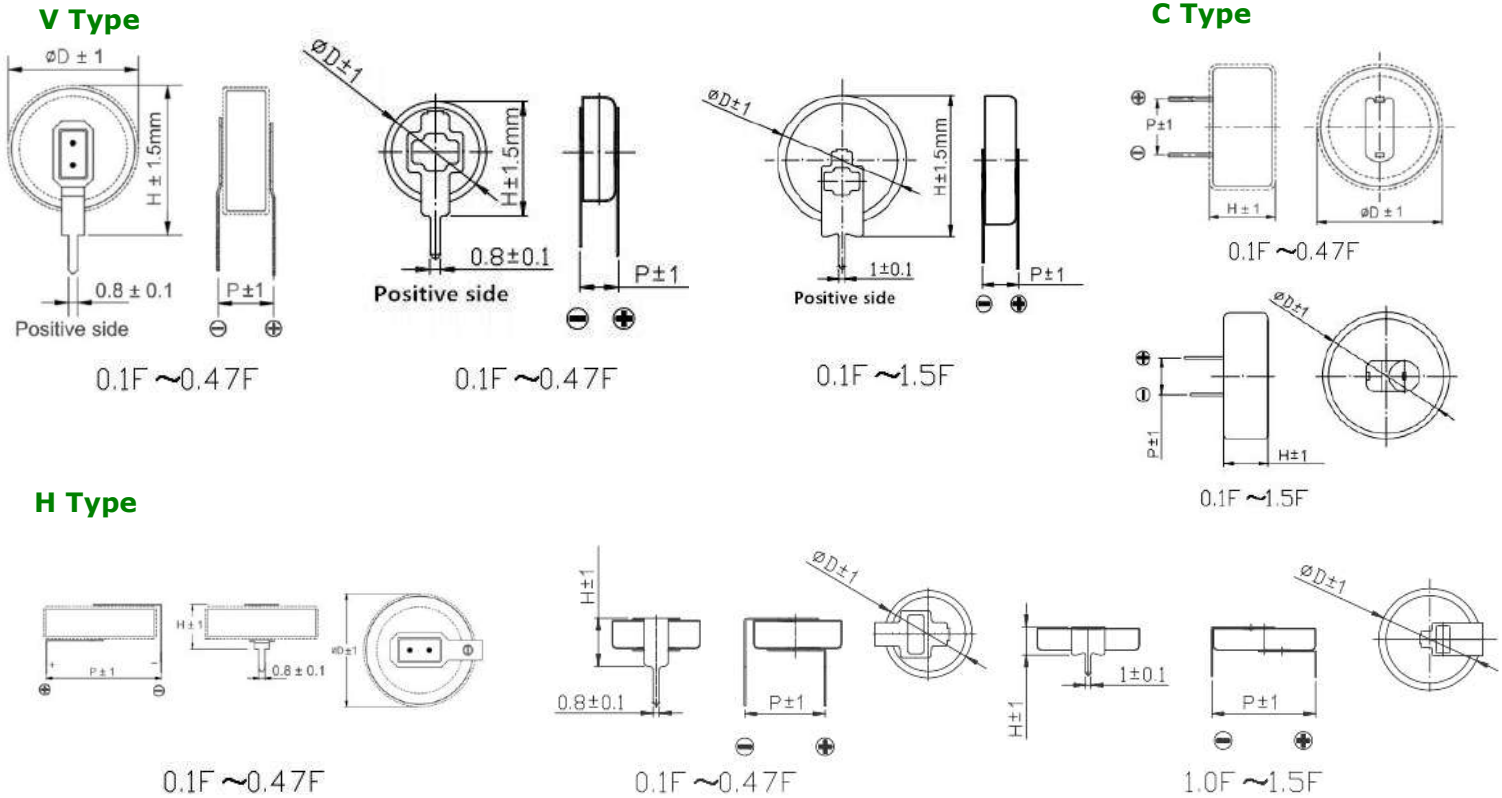
- RAM, Detonator, car recorder, smart meter, vacuum switch, digital camera, motor drive, clock circuit, UPS, toy, program-controlled switch, etc



SPECIFICATIONS

Items	Performance Characteristics
Series name	JGA Series
Rated voltage V_R	5.5V
Surge voltage	5.8V
Capacity range	0.1F~1.5F
Operating temperature range	-25~ +70°C
Product life	Normal temperature cycle life: 25°C, 500,000 cycles between V_R and $1/2V_R$, Capacity attenuation $\leq 30\%$, ESR change ≤ 4 times.
	High temperature endurance life: 70°C, maintain V_R , 1000 hours. Capacity attenuation $\leq 30\%$, ESR change ≤ 4 times.

DIMENSIONS (mm)



Please visit our website to get more update data, those data & specification are subject to change without notice.

Coin Type Super Capacitor – JGA

STANDARD RATINGS

Model	Type	Capacity F	ESRΩ		Product size (mm)		
			DC	AC 1kHz	Diameter	Height	Pin distance
JGAC5R5D104□050B	C	0.1	100	50	13.0	6.5	5
JGAH5R5D104□105B	H	0.1	100	50	11.5	6.4	10.5
JGAV5R5D104□047B	V	0.1	100	50	11.5	12.3	4.7
JGAC5R5D224□050B	C	0.22	80	40	13.0	6.5	5
JGAH5R5D224□105B	H	0.22	80	40	11.5	6.4	10.5
JGAV5R5D224□047B	V	0.22	80	50	11.5	12.3	4.7
JGAC5R5D334□050B	C	0.33	80	40	13.0	6.5	5
JGAH5R5D334□105B	H	0.33	80	40	11.5	6.4	10.5
JGAV5R5D334□047B	V	0.33	80	40	11.5	12.3	4.7
JGAC5R5D474□050B	C	0.47	80	40	13.0	6.5	5
JGAH5R5D474□105B	H	0.47	80	40	11.5	6.4	10.5
JGAV5R5D474□047B	V	0.47	80	40	11.5	12.3	4.7
JGAC5R5D684□050B	C	0.68	30	15	20.9	10	5
JGAC5R5D105□050B	C	1	30	15	20.5	7.4	5
JGAH5R5D105□200B	H	1	30	15	18.7	6	20
JGAV5R5D105□050B	V	1	30	15	18.7	20.2	5
JGAC5R5D155□050B	C	1.5	20	10	20.5	7.4	5
JGAH5R5D155□200B	H	1.5	20	10	18.7	6	20
JGAV5R5D155□050B	V	1.5	20	10	18.7	20.2	5

Note: □ Stands for capacity tolerance M: ±20%; V: +20%-10%; F: +30%-0%; Z: -20%~+80%

Please visit our website to get more update data, those data & specification are subject to change without notice.