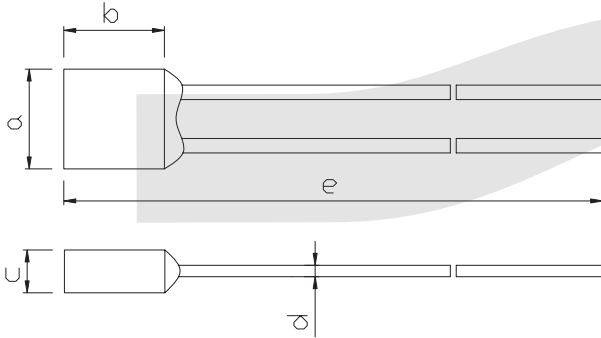




Thermal Fuse Series

KLS5-104 Side shell Thermal Fuse 10A Series



Dimension(mm)		10 A Series		
a	b	c	d	e
8.5±0.5	8±0.2	3.5±0.2	0.8±0.05	45±2

Rated functioning temp (Tf)	Fusing-off temperature	Holding Temperature (Th)	Maximum temp. limit (Tm)	Rated current (Ir)	Rated voltage (Ur)	Safety approval					RoHS Compliance
						UL	CUL	VDE	PSE	CCC	
84°C	82±2°C	40°C	180°C	10A	250Vac	●	●	●	●	●	●
102°C	98±2°C	63°C	180°C	10A	250Vac	●	●	●	●	●	●
115°C	112±3°C	75°C	180°C	10A	250Vac	●	●	●	●	●	●
125°C	120±3°C	85°C	180°C	10A	250Vac	●	●	●	●	●	●
130°C	126±2°C	90°C	180°C	10A	250Vac	●	●	●	●	●	●
135°C	131±3°C	90°C	180°C	10A	250Vac	●	●	●	●	●	●
138°C	135±2°C	93°C	180°C	10A	250Vac	●	●	●	●	●	●
150°C	145±3°C	105°C	180°C	10A	250Vac	●	●	●	●	●	●

ORDER INFORMATION

Product No.: KLS5- 104 - 10A X

