

PTC for Degaussing

1

■ 特点

1. 残余电流小、功耗低
2. 使用安全、可靠性高、寿命长
3. 衰减时间长、消磁效果好

■ 用途

1. 彩色电视机
2. 彩色显示器

■ 安全认证

Approvals

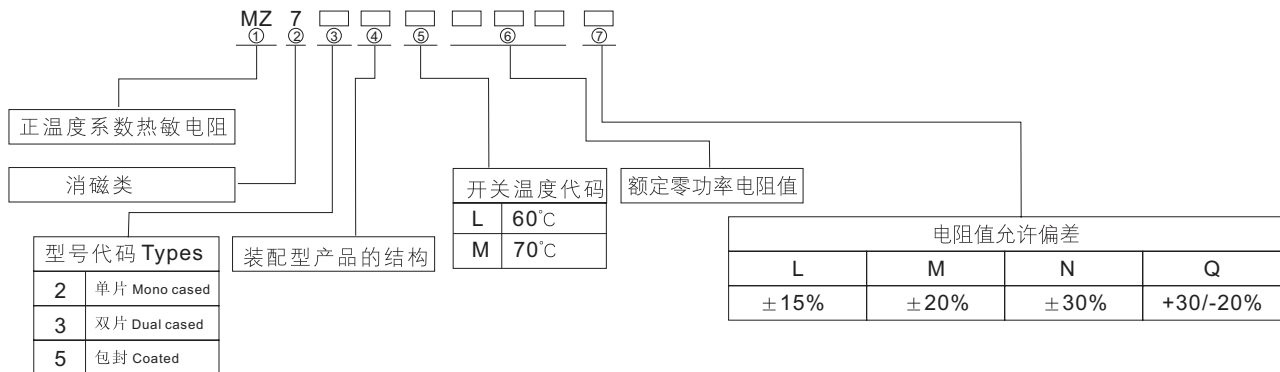
1. UL & CUL

2. VDE

3. CQC



■ 订货文件示例 How to place order

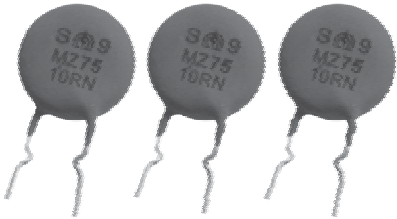
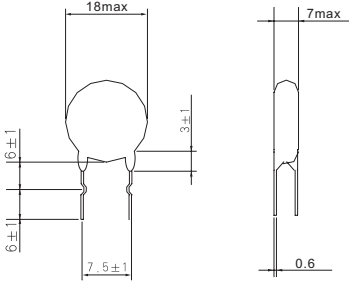

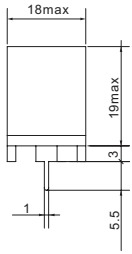
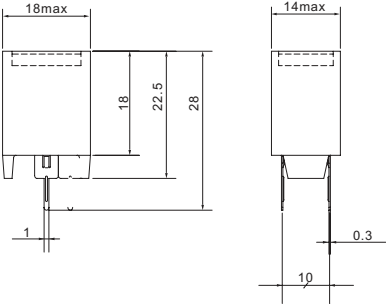
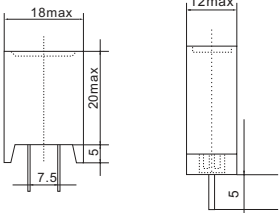


- ①-----PTC
- ②-----Degaussing
- ③-----Model number
- ④-----Structure code
- ⑤-----Switching temperature: L 60°C, M 70°C。
- ⑥-----Resistance
- ⑦-----Tolerance

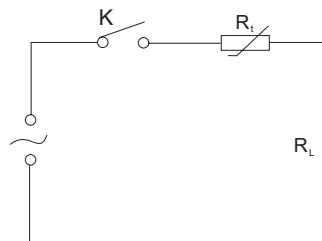
PTC for Degaussing

■ 结构 Structure

1

 <p>Coated Types</p>	 <p>MZ75</p>	
 <p>MZ72#(A, B, F) Mono Types</p>	 <p>MZ72A</p>	 <p>MZ72B</p>
 <p>MZ72F</p>		

MZ75、MZ72应用电路图
Application Circuits of
Coated & Mono Types



PTC for Degaussing

■ MZ75型 Coated Types

1

规格 Part No.	开关 温度 Switching Temperature (°C)	R _{25 °C} (Ω)	额定 电压 Rated Voltage (V)	最大 电压 Max Voltage (V)	电流衰减特性 Current-time Characteristic				最小 串阻 Coil Resistance R _{Lmin} (Ω)
					I ₀ (Ap-p)	I ₃ (mA-p-p)	I ₁₈₀ (mArms)	t _s (s) R _L =2R _{Lmin}	
MZ75L 3R □	60	3	110	140	≥30	≤150	≤15	≥200	5
MZ75L 4R5 □		4.5	110	140	≥25	≤150	≤15	≥200	5
MZ75L 5R □		5	110	140	≥20	≤150	≤12	≥200	5
MZ75L 7R □		7	110/220	140/270	≥20/30	≤150/300	≤10/8	≥200/100	5/10
MZ75L 8R □		8	110/220	140/270	≥20/30	≤300	≤10/8	≥180/90	5/10
MZ75L 9R □		9	110/220	140/270	≥20/30	≤300	≤10/8	≥180/90	5/10
MZ75L 10R □		10	110/220	140/270	≥20/30	≤300	≤10/8	≥180/90	5/10
MZ75L 12R □		12	110/220	140/270	≥20	≤300	≤10/8	≥180/90	10
MZ75L 14R □		14	220	270	≥20	≤300	≤8	≥70	10
MZ75L 18R □		18	220	270	≥18	≤300	≤7	≥70	10
MZ75L 20R □		20	220	270	≥18	≤300	≤7	≥70	10
MZ75L 27R □		27	220	270	≥15	≤300	≤7	≥60	10
MZ75L 36R □		36	220	270	≥10	≤300	≤7	≥60	10

MZ72#(A、B、F)型 Mono cased types

规格 Part No.	开关 温度 Switching Temperature (°C)	R _{25 °C} (Ω)	额定 电压 Rated Voltage (V)	最大 电压 Max Voltage (V)	电流衰减特性 Current-time Characteristic				最小 串阻 Coil Resistance R _{Lmin} (Ω)
					I ₀ (Ap-p)	I ₃ (mA-p-p)	I ₁₈₀ (mArms)	t _s (s) R _L =2R _{Lmin}	
MZ72#L3R □	60	3	110	140	≥30	≤150	≤12	≥200	5
MZ72#L4R5 □		4.5	110/220	140/270	≥25/35	≤150/200	≤12/10	≥200/100	5/10
MZ72#L5R □		5	110/220	140/270	≥20/30	≤150/200	≤12/10	≥200/100	5/10
MZ72#L7R □		7	110/220	140/270	≥20/30	≤150/300	≤10/8	≥200/100	5/10
MZ72#L8R □		8	220	270	≥30	≤300	≤7.0	≥90	10
MZ72#L9R □		9	220	270	≥30	≤300	≤7.0	≥90	10
MZ72#L12R □		12	220	207	≥20	≤300	≤7.0	≥90	10
MZ72#L14R □		14	220	270	≥20	≤300	≤7.0	≥90	10
MZ72#L18R □		18	220	270	≥18	≤300	≤6.5	≥80	10
MZ72#L20R □		20	220	270	≥18	≤300	≤6.5	≥80	10
MZ72#L27R □		27	220	270	≥15	≤300	≤6.5	≥60	10
MZ72#L30R □		30	220	270	≥15	≤300	≤6.5	≥60	10
MZ72#L36R □		36	220	270	≥10	≤300	≤6.5	≥60	10
MZ72#M7R □		70	7	110/220	140/270	≥20/30	≤150/300	≤10/8	≥200/100
MZ72#M8R □	8		220	270	≥30	≤300	≤8	≥100	10
MZ72#M9R □	9		220	270	≥30	≤300	≤8	≥100	10
MZ72#M10R □	10		220	270	≥30	≤300	≤8	≥100	10
MZ72#M12R □	12		220	270	≥20	≤300	≤8	≥90	10
MZ72#M14R □	14		220	270	≥20	≤300	≤8	≥90	10
MZ72#M18R □	18		220	270	≥18	≤300	≤7	≥80	10
MZ72#M20R □	20		220	270	≥18	≤300	≤7	≥80	10
MZ72#M27R □	27		220	270	≥15	≤300	≤7	≥70	10
MZ72#M30R □	30		220	270	≥15	≤300	≤7	≥70	10

PTC for Degaussing

1

MZ73#(MZ73 or MZ73B)
Dual Types

MZ73

MZ73B

MZ73、MZ73B应用电路图
Application Circuits of
Dual Types

MZ73/MZ73B型 Dual types

规格 Part No.	开关 温度 Switching Temperature (°C)	R ₂₅ °C (Ω)	额定 电压 Rated Voltage (V)	最大 电压 Max Voltage (V)	电流衰减特性 Current-time Characteristic				最小 串阻 Coil Resistance R _{Lmin} (Ω)	旁路 电阻 Parallel Resistance (Ω)
					I ₀ (Ap-p)	I ₃ (mAp-p)	I ₁₈₀ (mArms)	t _s (s) R _L =2R _{Lmin}		
MZ73#L3R□	60	3	110	140	≥30	≤150	≤4	≥200	5	≥100
MZ73#L4R5□		4.5	110/220	140/270	≥25/35	≤150/200	≤3.5	≥200/100	5/10	≥100
MZ73#L5R□		5	110/220	140/270	≥20/30	≤150/200	≤3.5	≥200/100	5/10	≥100
MZ73#L7R□		7	110/220	140/270	≥20/30	≤150/300	≤3.0	≥200/100	5/10	≥100
MZ73#L8R□		8	220	270	≥30	≤300	≤2.5	≥90	10	≥100
MZ73#L9R□		9	220	270	≥30	≤300	≤2.5	≥90	10	≥100
MZ73#L12R□		12	220	270	≥20	≤300	≤2.5	≥90	10	≥100
MZ73#L14R□		14	220	270	≥20	≤300	≤2.5	≥90	10	≥100
MZ73#L18R□		18	220	270	≥18	≤300	≤2.0	≥80	10	≥100
MZ73#L20R□		20	220	270	≥18	≤300	≤2.0	≥80	10	≥100
MZ73#L27R□		27	220	270	≥15	≤300	≤2.0	≥60	10	≥100
MZ73#L30R□		30	220	270	≥15	≤300	≤2.0	≥60	10	≥100
MZ73#L36R□		36	220	270	≥10	≤300	≤1.5	≥60	10	≥100

PTC for Degaussing

MZ73#(MZ73、MZ73B)M 长半幅衰减型产品 Long decay types

1

规格 Part No.	开关温度 Switching Temperature (°C)	R _{25 °C} (Ω)	额定电压 Rated Voltage (V)	最大电压 Max Voltage (V)	电流衰减特性 Current-time Characteristic				最小串阻 Coil Resistance R _{Lmin} (Ω)	旁路电阻 Parallel Resistance (Ω)
					I ₀ (Ap-p)	I ₃ (mAp-p)	I ₁₈₀ (mArms)	t _s (s) R _L =2R _{Lmin}		
MZ73#M4R5□	70	4.5	110/220	140/270	≥25/35	≤150/200	≤3.5	≥200/100	5/10	≥100
MZ73#M5R□		5	110/220	140/270	≥20/30	≤150/200	≤3.5	≥200/100	5/10	≥100
MZ73#M7R□		7	110/220	140/270	≥20/30	≤150/200	≤3.0	≥200/100	10	≥100
MZ73#M8R□		8	220	270	≥30	≤300	≤2.5	≥90	10	≥100
MZ73#M9R□		9	220	270	≥30	≤300	≤2.5	≥90	10	≥100
MZ73#M12R□		12	220	270	≥20	≤300	≤2.5	≥90	10	≥100
MZ73#M14R□		14	220	270	≥20	≤300	≤2.5	≥90	10	≥100
MZ73#M18R□		18	220	270	≥18	≤300	≤2.0	≥80	10	≥100
MZ73#M20R□		20	220	270	≥18	≤300	≤2.0	≥80	10	≥100
MZ73#M27R□		27	220	270	≥15	≤300	≤2.0	≥70	10	≥100
MZ73#M30R□		30	220	270	≥15	≤300	≤2.0	≥70	10	≥100
MZ73#M36R□		36	220	270	≥10	≤300	≤1.5	≥70	10	≥100

MZ73BH/MZ73H低功耗型产品 Low power consumption types

规格 Part No.	开关温度 Switching Temperature (°C)	R _{25 °C} (Ω)	额定电压 Rated Voltage (V)	最大电压 Max Voltage (V)	电流衰减特性 Current-time Characteristic			最小串阻 Coil Resistance R _{Lmin} (Ω) t _s (s)	旁路电阻 Parallel Resistance (Ω)	消耗回路功率 Dissipation Power P ₅₀₀ (W)
					I ₀ (Ap-p)	I ₃ (mAp-p)	I ₁₈₀ (mArms)			
MZ73BHL9R□	60	9	220	270	≥20	≤4.0	≤3.5	10	≥1K	≤1.3
MZ73BHL12R□		12	220	270	≥18	≤3.5	≤3.0	10		≤1.25
MZ73HL20R□		20	220	270	≥15	≤3.0	≤2.5	10		≤1.1
MZ73BH20R□	40	20	220	270	≥15	≤3.0	≤2.5	10		≤1.5

MZ72#C(MZ72BC&MZ72C)低阻型 Double mono cased types

规格 Part No.	开关温度 Switching Temperature (°C)	R _{25 °C} (Ω)	额定电压 Rated Voltage (V)	最大电压 Max Voltage (V)	电流衰减特性 Current-time Characteristic				最小串阻 Coil Resistance R _{Lmin} (Ω)
					I ₀ (Ap-p)	I ₃ (mAp-p)	I ₁₈₀ (mArms)	t _s (s) R _L =2R _{Lmin}	
MZ72#CL2R3□	60	2.3	110/220	140/270	≥30/40	≤150/200	≤15/12	≥200/100	5/10
MZ72#CL4R5□		4.5	220	270	≥35	≤200	≤12	≥100	10

应用电路：
Application Circuits

