

16mm Rotary Remote Control Potentiometer

RC-1601(Dual Units)



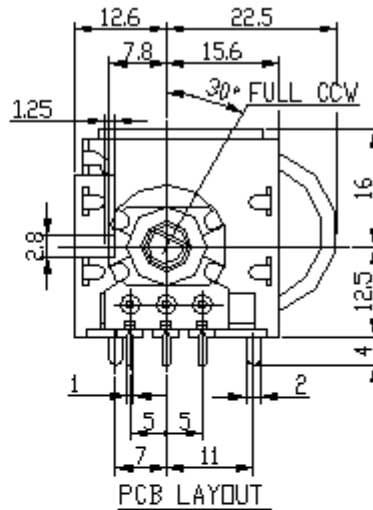
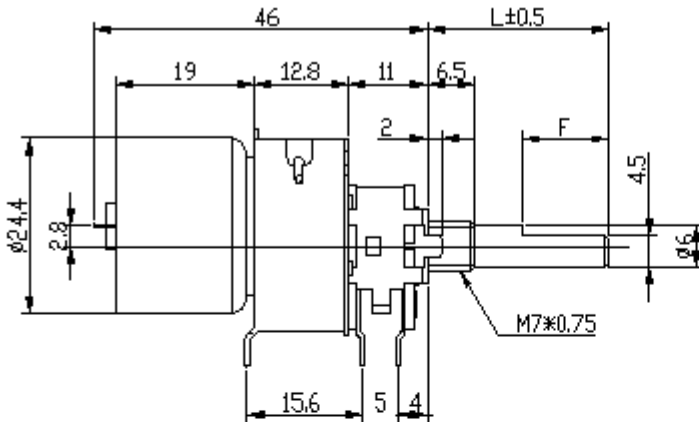
Part Number

RC-1601 - B 50K, L - 20 F

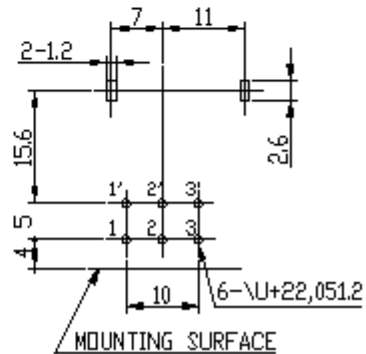
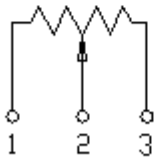
Taper Resistance Value Shaft Length Shaft Type

★ This item is also available with 4-ganged (RC-1602) and 6-ganged (RC-1603).

Dimensions



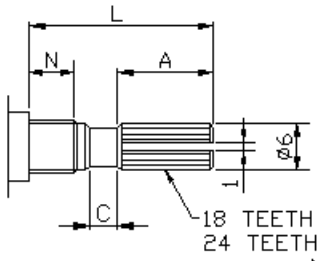
CIRCUIT



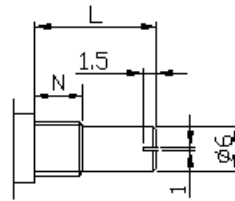
16mm Rotary Remote Control Potentiometer

Shaft Type

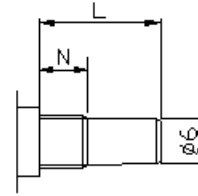
KC TYPE



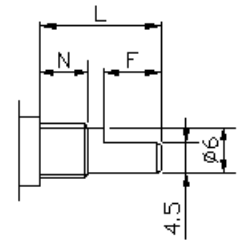
RE TYPE



R TYPE



F TYPE



N:6.5m/m

SHAFT-TYPE	L	10	15	20	25	30	35	40
KC	A	2.2	6	10	10	12	12	12
	C	0.5	1	2	2	4	4	4
F	F	2.5	7	12	12	12	12	12
R,RE	L	10	15	20	25	30	35	40

16mm Rotary Remote Control Potentiometer

Electrical Characteristics

All Resistance	500 Ω ~ 2M Ω				
All Resistance Tolerance	$\pm 20\%$ (More than 1M $\Omega \pm 30\%$)				
Resistance Taper	A. B. C. D. W. Taper				
Resistance Taper Characteristics	A50%	B50%	C50%	D50%	W50%
	15-25%	40-60%	75-85%	2-15%	45-55%
Rated Power	0.063 W				
Max. Operating Voltage	B Taper : AC200V, Other Taper: AC 150V				
Residual Resistance	$R \geq 250K \Omega$ 0.1% $250K \Omega > R > 10K \Omega$ 10 Ω Max. (between Term. 1, 2) $10K \Omega \geq R$ 10 Ω Max. (between Term. 2, 3)				
Gang Error	-40 ~ 0db \leq 3 db				
Noise	47 mV max.				
Insulation Resistance	Potentiometer Section: DC 250V 100M Ω				
	Motor Section: DC 100V 1M Ω				
Withstand Voltage	1 minute AC 300V				
Motor Voltage	4~6 VDC (4.5 VDC Standard)				
Operating current	100mA Max (at rotation) 150mA Max (at end slip)				
Rotational Life	More than 10,000 Cycles				

Mechanical Characteristics

Total Rotational Angle	300° \pm 5°
Stopper Strength	8kgf.cm max./3 minute.
Rotational Torque	100~450gf.cm (Hand operation)
Rotational Speed	12 \pm 3 sec. (at 4.5VDC applied to motor)
Solder Heat	300°C, 3S. (Only For Hand-Soldering)
Remark	Shaft: Aluminum Zinc; Bushing Material: Cast Iron