

Cermet Potentiometer Series

KLS4-3323 Cermet Potentiometer Series

IV

Electrical Characteristics

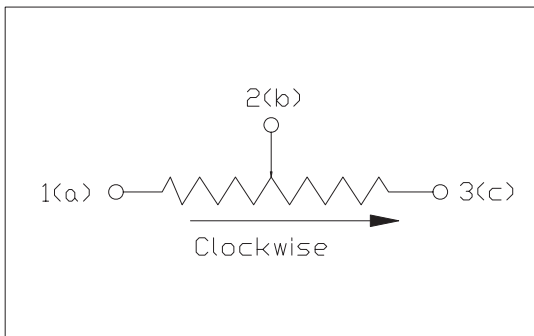
Standard Resistance Range: 10Ω~ 2MΩ
 Resistance Tolerance:±10%
 Terminal Resistance:≤1% R or 2Ω Max.
 Contact resistance variation:CRV ≤3% R or 3Ω Max
 Insulation Resistance: $R_i \geq 1G\Omega$
 Withstand Voltage:101.3kPa 500V,8.5kPa 315V
 Electrical Travel: $210^\circ \pm 10$

Environment Characteristics

Power Rating (250 volts max.):+70°C 0.5W,+125°C 0W
 Temperature Range:-55°C ~ +125°C
 Temperature Coefficient:±250ppm/°C;±100ppm/°C
 Temperature Variation: $\Delta R \leq \pm 2\% R, \Delta(U_{ab} / U_{ac}) \leq \pm 1\%$
 Vibration:390m/s²,4000 times $\Delta R \leq \pm 1\% R$
 Collision:10 ~ 500Hz,0.75mm,or 98m/s²,6h, $\Delta R \leq \pm 1\% R, \Delta(U_{ab} / U_{ac}) \leq 2\%$
 Climate Category: $\Delta R \leq \pm 3\% R, R_i \geq 100M\Omega$
 Electrical Endurance at 70°C: 0.5W,1000h, $\Delta R \leq \pm 3\% R$
 Mechanical Endurance:200cycles, $\Delta R \leq \pm 3\% R$
 Steady Damp-Heat: $\Delta R \leq \pm 3\% R, R_i \geq 100M\Omega$

Physical Characteristics

Total mechanical travel: $250^\circ \pm 10$
 Starting torque:≤35mN.m
 Standard packaging:50pcs/tube



Resistance (Ω)	Code
10	100
20	200
50	500
100	101
200	201
500	501
1000	102
2000	202
10000	103
20000	203
50000	503
100000	104
200000	204
500000	504
1000000	105
2000000	205

ORDER INFORMATION

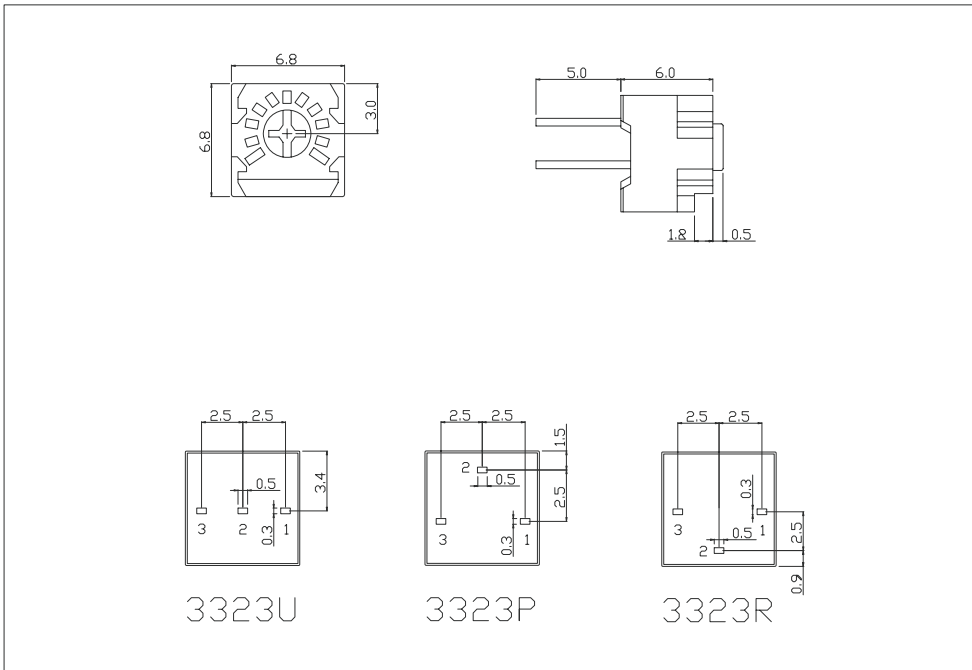
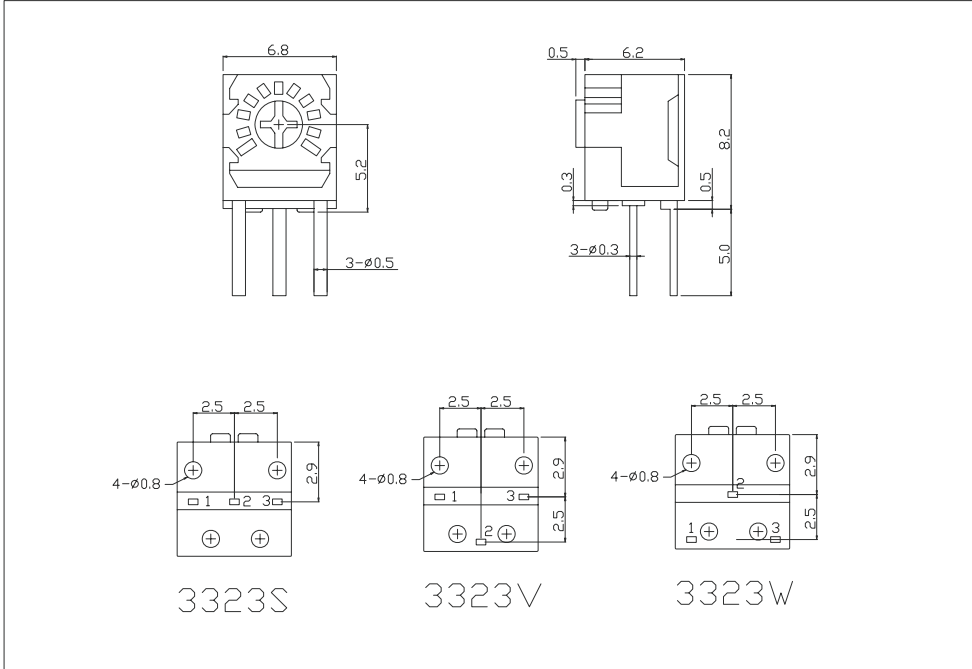
Product NO.: KLS4-3323 P-103

Pos. NO. _____ 103:Resistance Code
 3323:Model _____ P:Style

Cermet Potentiometer Series

KLS4-3323 Cermet Potentiometer Series

IV



ORDER INFORMATION

Product NO.: **KLS4-3323 P-103**

Pos. NO. _____ 103:Resistance Code
3323:Model _____ P:Style