

SPECIFICATION

FOR APPRONAL

Customer : _____

Product Name : Strobe Light _____

Model Name : VSL-02V930A _____

Drawing No. : VS20140212007 _____

Signature of Voise

Approved by	Checkde by	Issued by	Date

 **福爱斯电子有限公司**
VOISE ELECTRONICS CO.,LTD.

Address:No 96 Mogao Dongqian Lake Industrial Area ningbo,China,
Tel:0086-0574-87773030;Fax:0086-0574-87471600 P.C.315121
<http://www.nbvoise.com> Email:sales@nbvoise.com

Specification for Strobe Light	Page	3/5
	Revision No.	1.0
	Drawing No.	VS20140212007
Model No. : VSL-02V930A		

2. Scope

This specification is applied to the siren used for sounder in alarm systems, Please contact us when using this product for any other applications than described in the above.

3. General

- 2.1 Out-Diameter : 102 mm
- 2.2 Height : 89 mm
- 2.3 Weight : 155 ±10g
- 2.4 Operating Temperature range:
-20~+60℃ without loss of function
- 2.5 Store Temperature range:
-30~+70℃ without loss of function

4. Electrical and Acoustic Characteristics.

Test condition : 15 ~ 35 ℃, 25% ~ 85% RH, 860~1060 mbar

No	Items	Specification
1	Rated Voltage	12V DC
2	Working Voltage	8-30V DC
3	Max Rated Current	150mA
4	Flash Frequency	65~95 Per Minute
5	Operating Life	500 Hours Continuous Duty At 12VDC
6	Case Material/Color	ABS/Black
7	Lens Material/Color	Acrylic/Amber
8	Wires Connection	Red +12VDC、 Black GND

Specification for Strobe Light

Page

4/5

Revision No.

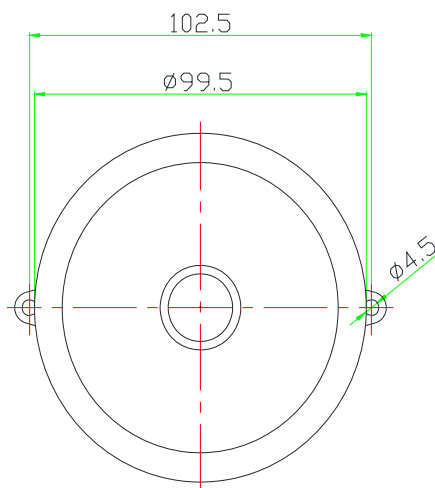
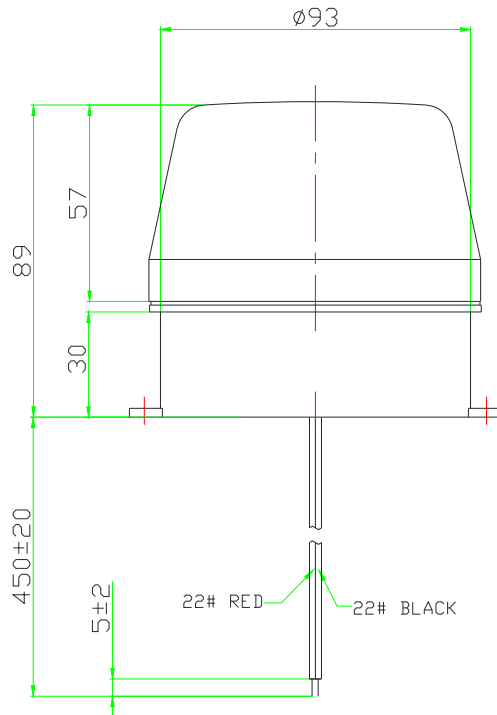
1.0

Model No. : VSL-02V930A

Drawing No.

VS20140212007

5. Dimensions



FIRST ANGLE PROJECTION



UNIT : mm

Tolerance : ± 1.5

Specification for Strobe Light

Page

5/5

Revision No.

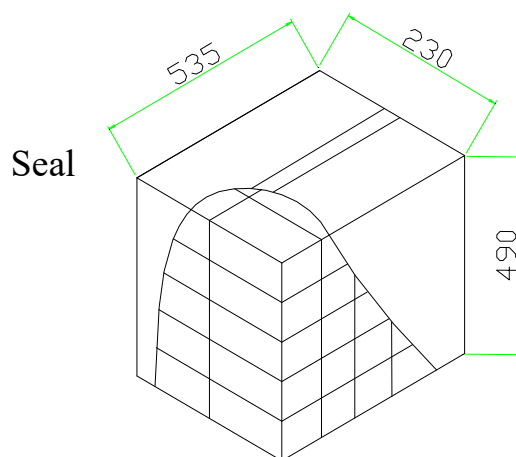
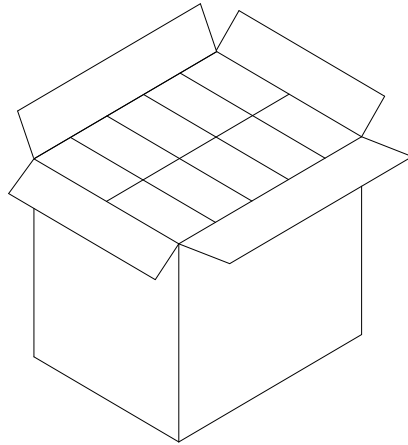
1.0

Model No. : VSL-02V930A

Drawing No.

VS20140212007

6. Packing



QTY: 50Pcs

535x230x490mm