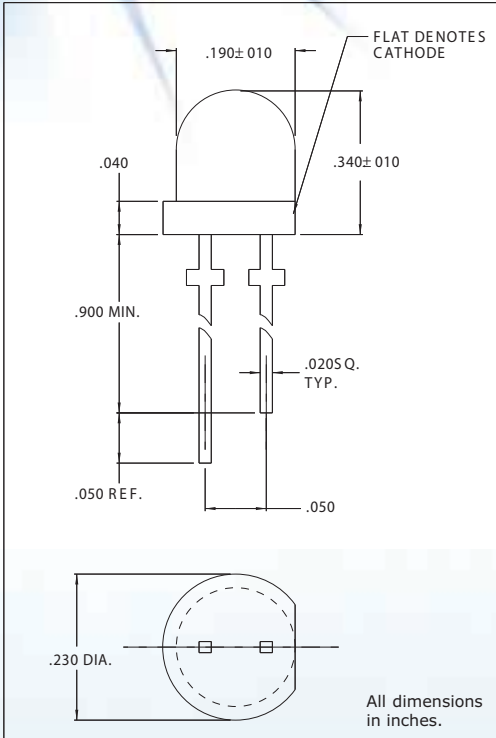


**T-1 3/4 Ultrabright LED Lamps**  
**DESCRIPTION AND FEATURES**



The Ultrabright HLMP3X50 series are direct pin for pin replacements for Hewlett Packard's HLMP3X50 series. These LED lamps provide a very narrow viewing angle in a clear tinted non-diffused package and are excellent for small area backlighting. A pale tint aids in identification. The High Efficiency Red and Yellow lamps are produced with GaAsP/GaP and the High Efficiency Green lamp is produced with GaP/GaP. All feature an 80 mcd minimum luminous intensity.

**ELECTRO-OPTICAL CHARACTERISTICS AND RATINGS**

PART NUMBER	HLMP3750	HLMP3850	HLMP3950
Output Color	H.E.Red	Yellow	H.E.Green
Package Type	Tint N.D.	Tint N.D.	Tint N.D.
Package Color	Clear	Clear	Clear
Test Current (mA)	20	20	20
Forward Voltage Typ. (V)	2.2	2.2	2.2
Forward Voltage Max. (V)	3.0	3.0	3.0
Luminous Intensity Min. (mcd)	80.0	80.0	80.0
Luminous Intensity Typ. (mcd)	150.0	150.0	150.0
Luminous Intensity Max. (mcd)	-	-	-
Peak Wavelength (nm)	635	585	565
Viewing Angle $2\theta$ 1/2 (degrees)	24	24	24
Power Dissipation (mW)	135	85	135
Operating Temperature (°C)	-55 to +100	-55 to +100	-55 to +100
Storage Temperature (°C)	-55 to +100	-55 to +100	-55 to +100
Peak Forward Current Max. (1µs @ 0.3% duty cycle) (mA)	90	60	90
Reverse Voltage (IR=100µA) (V)	5	5	5
Lead Solder Time @ 260°C	5	5	5