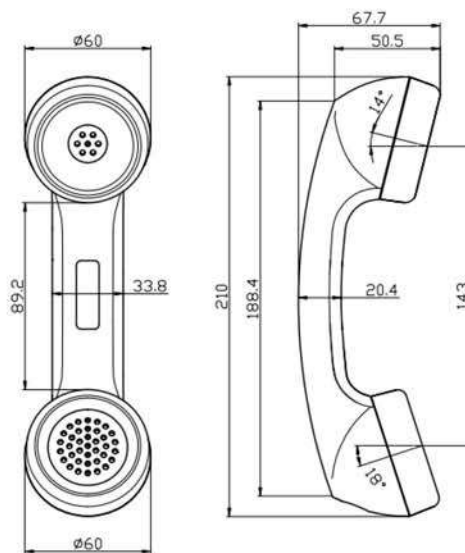


## Technical parameter VS0292HSMP-IP67 Handset



Sending Loudness Rating ( SLR )	5 ~ 15 dB
Receiving Loudness Rating( RLR )	- 7 ~ 2 dB
Side tone masking Rating ( STMR )	≥ 7 dB
IP Grade	IP67
Ambient temperature	-30 ~ + 50 °C
Relative humidity	10% ~ 95%
Atmospheric pressure	80 ~ 110 kPa
Ambient noise	≤60dB
Operating frequency range	300 ~ 3400 Hz
Hi-Fi transmitter receiver standard	4.2-in-GB/T15279-94

## Product structure diagram



## Product features

1. The handle is made of special explosion-proof PC / ABS engineering plastics
2. Integrated structure, good flame retardancy, no burst at minus 40 degrees
3. The metal hose is made of imported 304 stainless steel
4. High strength tensile steel cable is built in the handle, with tensile strength > 250kg,
5. Moving coil, puncture, high fidelity, transmitter and receiver, electret and anti noise transmitter can also be selected according to requirements, which comply with GB / t15279-2002-4.2

## CE certification

## Waterproof Test Report of Handset

Product Name	VS0292HSMP-IP67 Handset	Product Qty	1 pcs
Item No.	A01	Test Date	Nov 8th, 2022

**A: Test Standard:** IP rating test standard GBT20138

Test machine and test condition: keep each side of the handset sample in distance 2.5 meters to 3 meters and flush with water continually for 3 minutes.

**B: Test Process:**

1. Assemble A01 handset and test the function of microphone and speaker with MLSSA and the RLR and SLR are in good condition.



2. Put the A01 handset sample on ground and flush with water at the distance of 2.5 meters to 3 meters continually for 3 minutes, seeing attached test video for your reference .



Test video.mp4



3. After test, dry the water on handset surface and test it with MLSSA and the RLR and SLR are in good condition.



**Test conclusion:**

The A01 handset reaches the waterproof grade IP67.

Main Inspector: Hu Jie    Test Date: Nov.8th, 2022

Examine: The waterproof grade of A01 reaches IP67.

Examiner: Weiyao Xu Date: Nov.8th, 2022