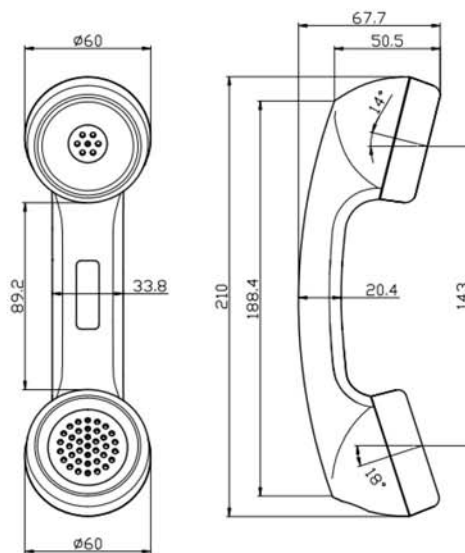


Technical parameter VS0292HSMP-IP65 Handset



Sending Loudness Rating (SLR)	5 ~ 15 dB
Receiving Loudness Rating(RLR)	- 7 ~ 2 dB
Side tone masking Rating (STMR)	≥ 7 dB
IP Grade	IP65
Ambient temperature	-30 ~ + 50 °C
Relative humidity	10% ~ 95%
Atmospheric pressure	80 ~ 110 kPa
Ambient noise	≤60dB
Operating frequency range	300 ~ 3400 Hz
Hi-Fi transmitter receiver standard	4.2-in-GB/T15279-94

Product structure diagram



Product features

1. The handle is made of special explosion-proof PC / ABS engineering plastics
2. Integrated structure, good flame retardancy, no burst at minus 40 degrees
3. The metal hose is made of imported 304 stainless steel
4. High strength tensile steel cable is built in the handle, with tensile strength > 250kg,
5. Moving coil, puncture, high fidelity, transmitter and receiver, electret and anti noise transmitter can also be selected according to requirements, which comply with GB / t15279-2002-4.2

CE certification