

New Products

Quartz Crystal

HC-49/U Series

UM Series

▶ ATS & SX Series

Ceramic SMD Crystal

CH-206/CH-308
& CS-306/CS

Crystal Oscillator

Monolithic Crystal Filters

Saw Filter & Resonators

Ceramic Resonators



RFQ

Request For Quotation

QUARTZ CRYSTAL

Sunny company information **SUNNY**

[ATS-25/U] [ATS-49/U] [ATS-51/U] [SX-1] [SX-3] [SX-5]



▶ ATS - 49/U

- ATS Holder type package
- AT or BT cut available
- Resistance weld seal
- Tape and reel, insulator tab, 3-lead, and custom lead length options available
- Tight tolerance / stability

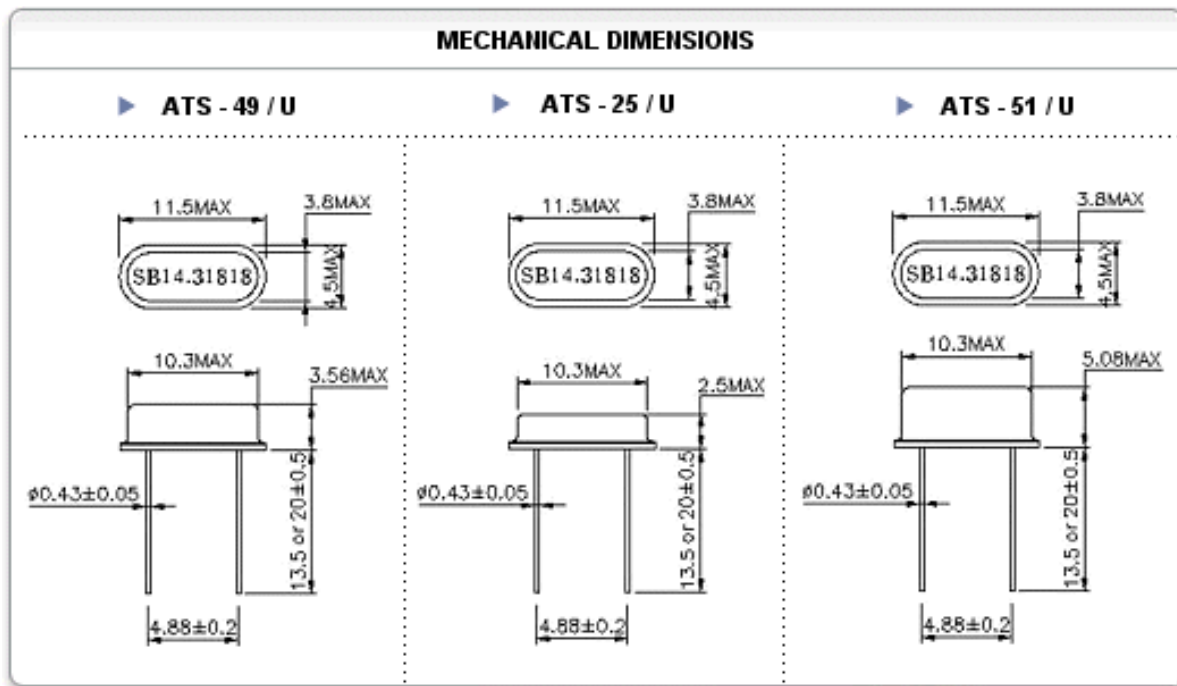
ELECTRICAL SPECIFICATIONS

MODEL	ATS - 49 / U
Frequency Range	3.579 to 85.000MHz
Operating Temperature Range	-10 to +60°C(STD), -20 to +70°C
Storage Temperature Range	-40 to +85°C
Frequency Tolerance (at 25°C)	±15, ±30, ±50ppm(STD)
Frequency Stability Over Operating Temperature Range	±30, ±50, ±100ppm(STD)
Load Capacitance (CL)	18pF(STD), Custom CL ≥ 10pF or Series Resonant
Drive Level	0.01 to 1,000μW
Shunt Capacitance (Co)	7pF Max
Aging (at 25°C)	±5ppm/year Max
Insulation Resistance	500 MΩ Min at 100VDC

TOP

Frequency Range (MHz)	ESR (ΩMax)	Mode of Oscillation
3.579 ~ 3.999	150	Fundamental / AT
4.000 ~ 4.999	120	Fundamental / AT
5.000 ~ 5.999	100	Fundamental / AT
6.000 ~ 7.999	90	Fundamental / AT
8.000 ~ 9.999	70	Fundamental / AT
10.000 ~ 11.999	60	Fundamental / AT
12.000 ~ 14.999	50	Fundamental / AT
15.000 ~ 19.999	40	Fundamental / AT
20.000 ~ 27.000	30	Fundamental / AT
27.000 ~ 32.999	50	Fundamental / BT
33.000 ~ 40.000	40	Fundamental / BT
24.576 ~ 47.999	80	3rd Overtone
48.000 ~ 85.000	60	3rd Overtone

TOP



TOP

Copyright (c) 2001 **SUNNY ELECTRONICS** All rights reserved, more information e-mail