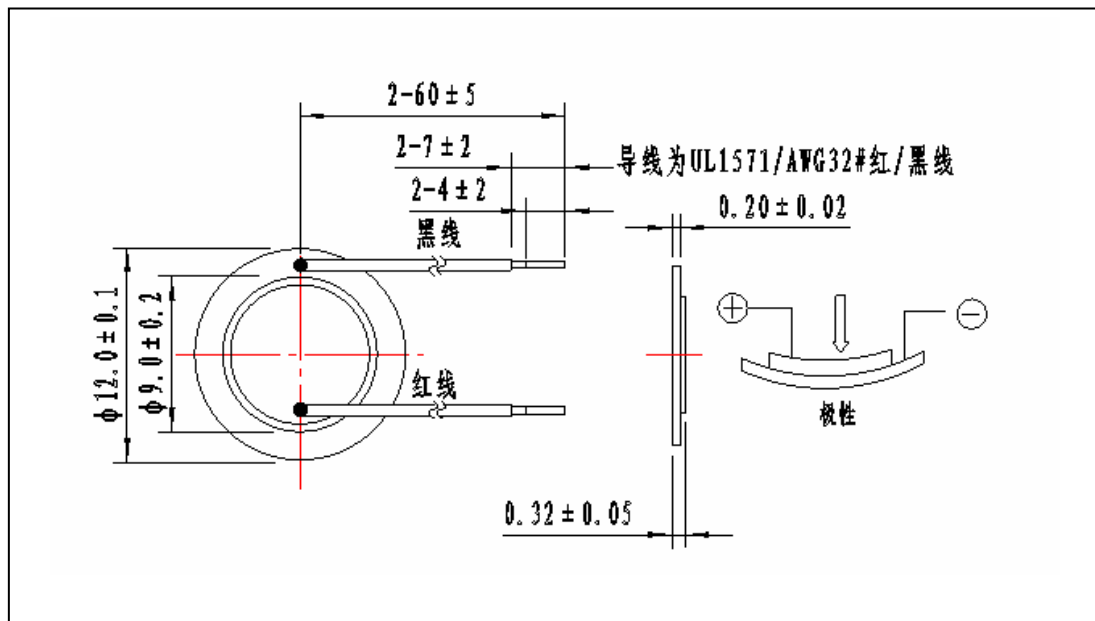


## PIEZO ELEMENT SPECIFICATIONS

### MODEL: AW1E12G-150EFL4Z

Resonant frequency	Fr	15.0±1.0kHz
Main electrostatic capacity	Cm	9000±30% pF at 1000Hz/1V 25°C
Feedback electrostatic capacity	Cf	-----
Resonant impedance	R	500 Ω MAX.
Metal plate material		SUS304
Metal plate diameter	mm	12.0±0.10
Metal plate thickness	mm	0.20±0.02
Ceramic diameter	mm	9.0±0.20
Total height	mm	0.32±0.05
Insulation resistance		100M Ω MIN.
Maximum input voltage		30Vp-p
Operating temperature range		-20°C to +70°C
Storage temperature range		-30°C to +80°C
Lead wires		UL 1571 AWG32#RED&BLACK

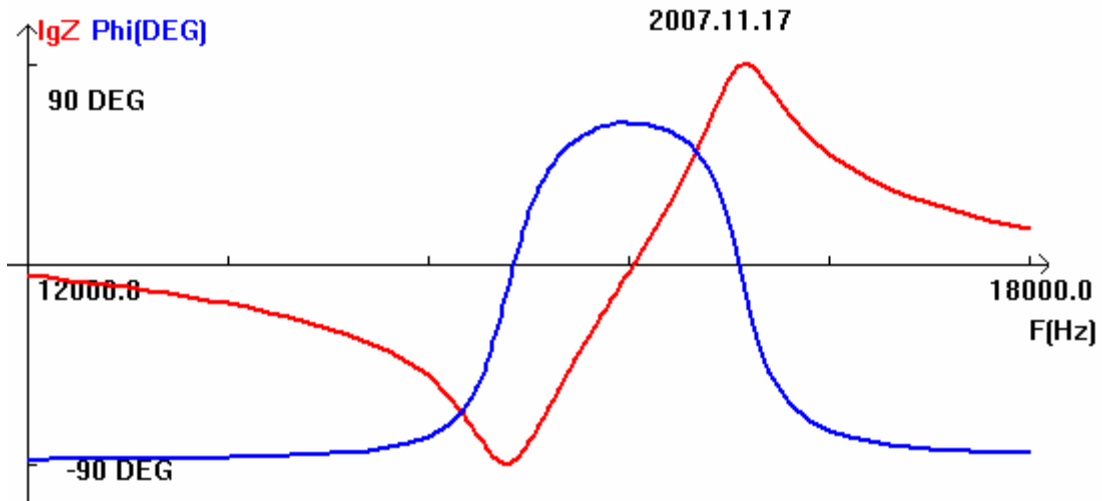
### APPEARANCE AND DIMENSIONS:



Remark: The Pb in ceramic is exempt, other ingredients are all ROHS compliant

## ■ TYPICAL FREQUENCY RESPONSE CURVE

对数坐标图 (150ef)



## ■ MEASURING PROCEDURE

The node held with a measuring terminal, the resonant frequency and resonant impedance are measured in the constant-voltage circuit.

