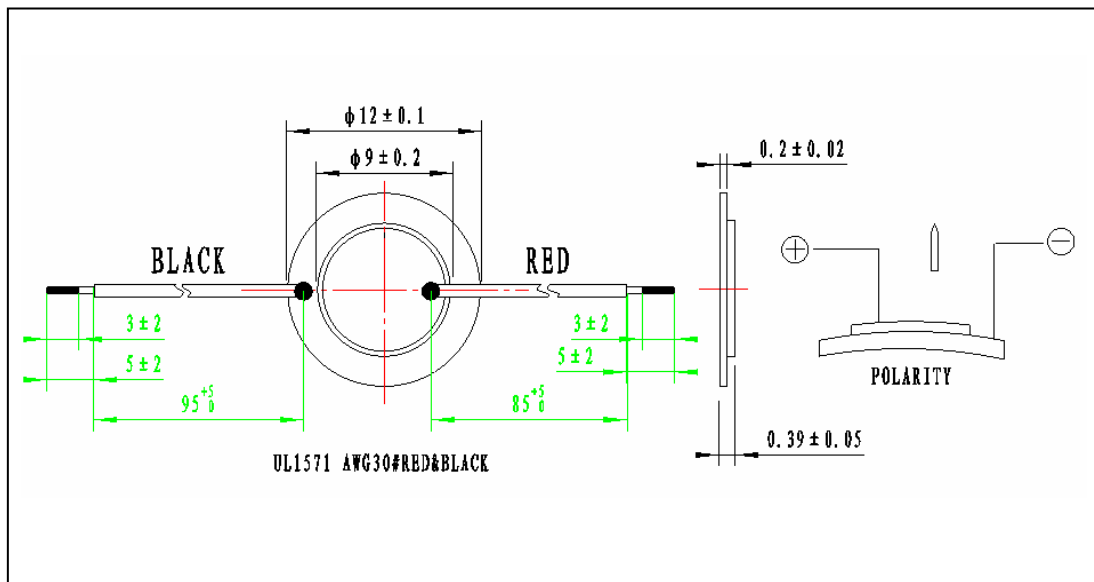


## PIEZO ELEMENT SPECIFICATIONS

### MODEL: AW1E12G-190EFL1Z

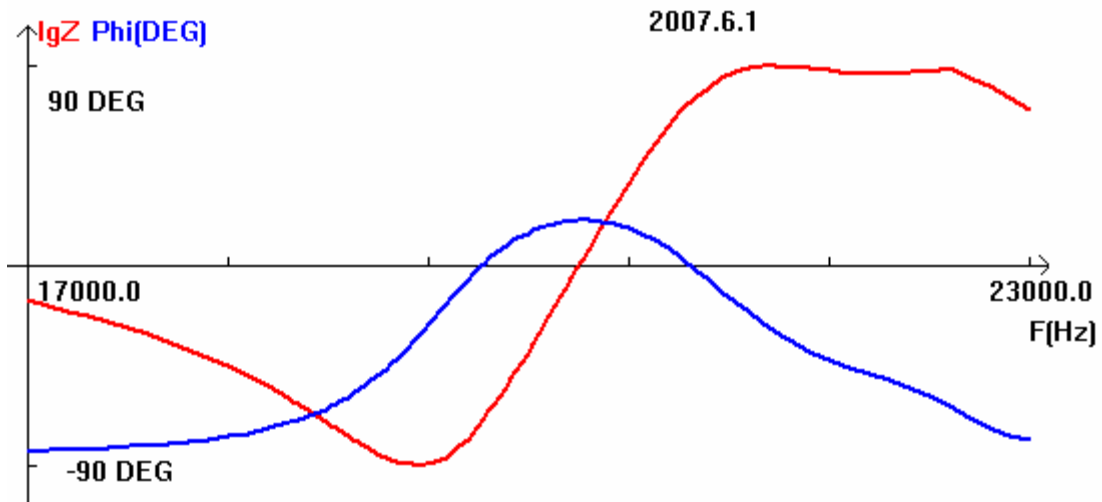
Resonant frequency	$F_r$	$19.0 \pm 1.5\text{kHz}$
Main electrostatic capacity	$C_m$	$6500 \pm 30\% \text{ pF at } 1000\text{Hz}/1\text{V}$
Feedback electrostatic capacity	$C_f$	-----
Resonant impedance	$R$	$1000 \Omega \text{ MAX.}$
Metal plate material		SUS304
Metal plate diameter	mm	$12.0 \pm 0.10$
Metal plate thickness	mm	$0.20 \pm 0.02$
Ceramic diameter	mm	$9.0 \pm 0.20$
Total height	mm	$0.39 \pm 0.05$
Insulation resistance		$100\text{M} \Omega \text{ MIN.}$
Maximum input voltage		$30\text{Vp-p}$
Operating temperature range		$-20^\circ\text{C to } +70^\circ\text{C}$
Storage temperature range		$-30^\circ\text{C to } +80^\circ\text{C}$
Lead wires		UL 1571 AWG30#RED&BLACK

### APPEARANCE AND DIMENSIONS:



Remark: The Pb in ceramic is exempt, other ingredients are all ROHS compliant

## ■ TYPICAL FREQUENCY RESPONSE CURVE



## ■ MEASURING PROCEDURE

The node held with a measuring terminal, the resonant frequency and resonant impedance are measured in the constant-voltage circuit.

