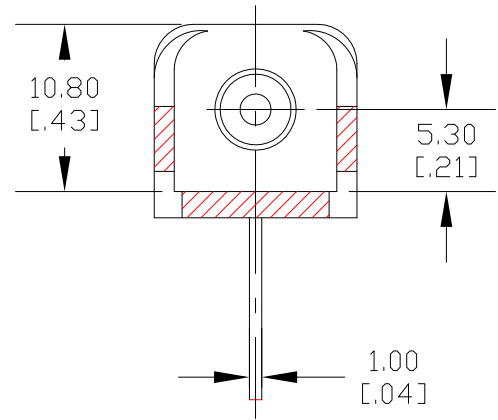
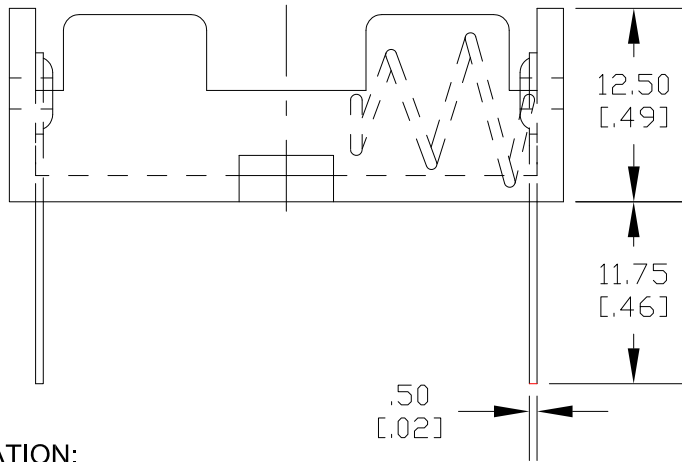
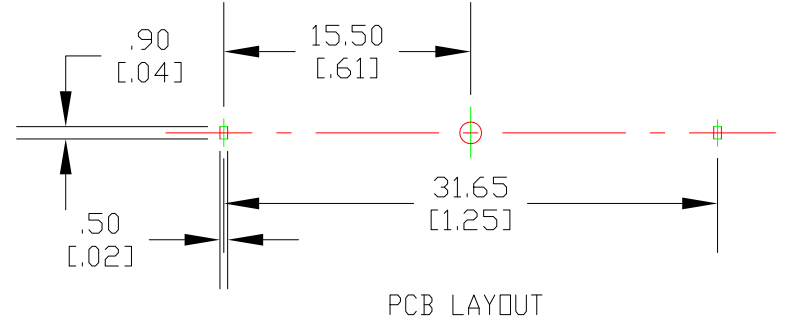
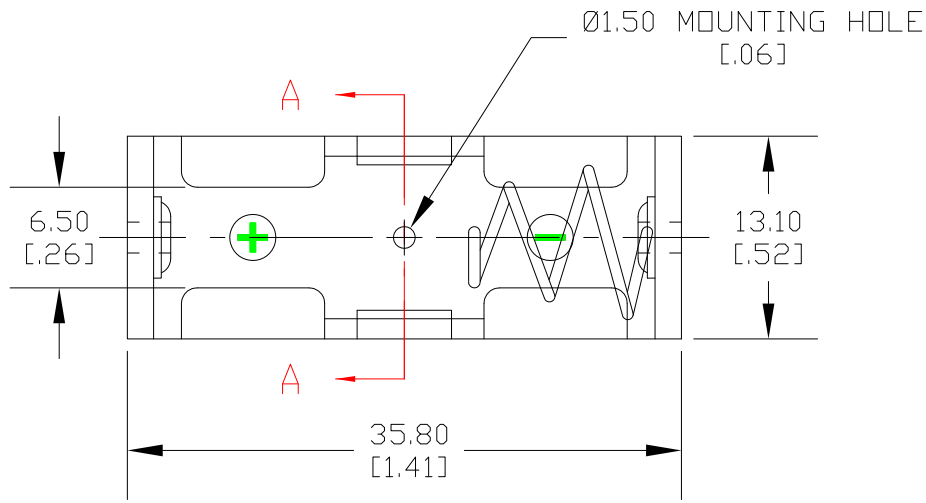



| Date | SYM | REVISION RECORD | AUTH | DR. | CK. |
|----------|-----|---|------|------|-----|
| 10/22/05 | A | ADDED 'ROHS COMPLIANT' | T.B. | B.S. | |
| 3/11/06 | B | UPDATED MATERIAL SPEC. | T.B. | B.S. | |
| 5/06/06 | C | ADDED CONTACT RESI. INFO. | T.B. | B.S. | |
| 9/05/14 | D | UPDATED TO RHOS 2 COMPLIANT | T.B. | B.S. | |
| 7/22/17 | E | DIM. 1.00 WAS 0.80 UPDATED SPECIFICATION | T.B. | B.S. | |



SPECIFICATION:

1. MATERIAL:

HOUSING : BLACK POLYPROPYLENE
 FLAMMABILITY RATING -UL94-HB, UL FILE NO. E216959
 TEMPERATURE RANGE: -10°C to +100°C
 SPRING: SPRING STEEL, NICKEL PLATED.
 PC PINS: STEEL, NICKEL PLATED
 CONTACT RESISTANCE: UNDER 50mΩ FOR +/- CONTACTS PER EIA-540J000
 ROHS 2 COMPLIANT

| | | | |
|--------------------|---|----------------|------------------|
| Tolerance (Inches) |  Memory Protection Devices, Inc 200 Broad Hollow Road, Farmingdale, New York 11735 | | |
| Decimal | | Scale | Drawn By B.S. |
| ±.5 (.020) | | | Approved By T.B. |
| Fractional | Title | | |
| ± .8 (.030) | 23A BATTERY HOLDER WITH PC PINS | | |
| Angular | Date | Drawing Number | |
| ± 3° | 7/22/17 | BH23APC | |