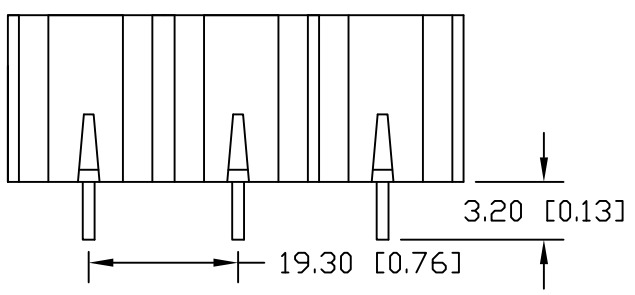
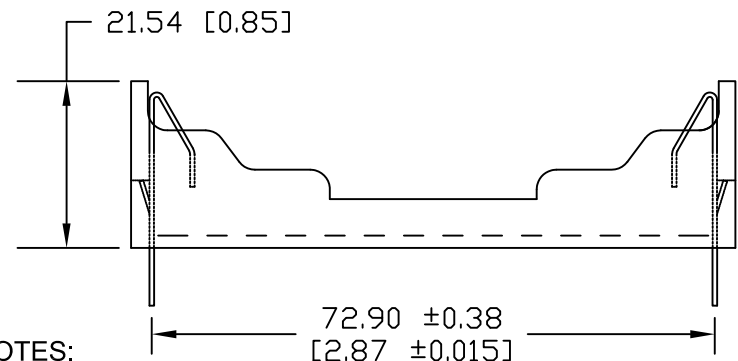
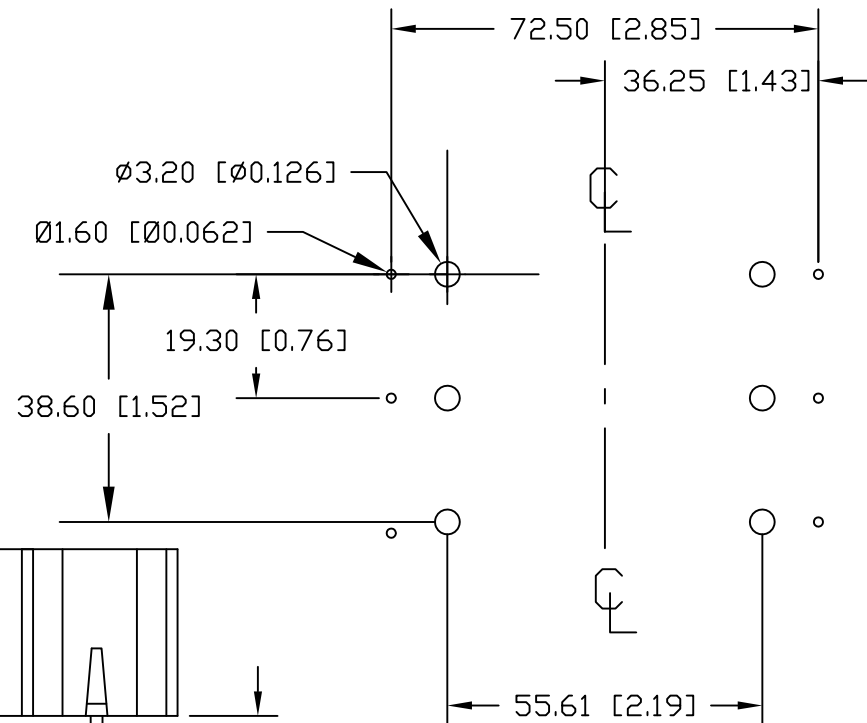
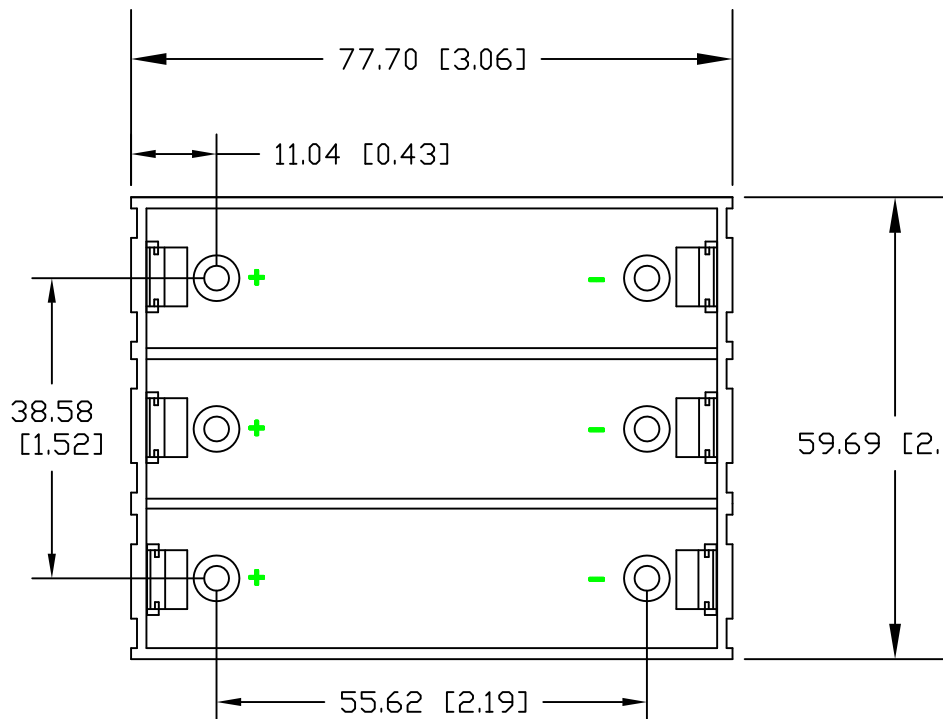



| Date     | SYM | REVISION RECORD             | AUTH | DR.  | CK. |
|----------|-----|-----------------------------|------|------|-----|
| 09/16/11 | F   | Updated notes               | T.B. | B.S. |     |
| 10/26/12 | G   | Dim. Ø1.60 was Ø1.19        | T.B. | B.S. |     |
| 10/03/14 | H   | UPDATED TO ROHS 2 COMPLIANT | T.B. | B.S. |     |
| 03/24/17 | J   | DIM. 36.25 WAS 36.32        | T.B. | B.S. |     |
| 06/30/17 | K   | DIM. 72.90 WAS 72.50        | T.B. | B.S. |     |
| 07/22/17 | L   | ADDED MOUNTING INSTRUCTION  | T.B. | B.S. |     |



## PCB LAYOUT

**NOTES:**  
 Material: Self-extinguishing Thermoplastic Polyester, color black  
 Temperature Range: -40°C to +180°C  
 Contacts: 302 Stainless Steel Spring Temper, Nickel Plated  
 Flammability Rating: UL 94V-0  
 PC Pins: Steel, Nickel Plated  
 Dielectric Strength: 560 Volts/Mil. at 25°C for 5 Sec.  
 Resistance to Solvents: Xylene, ethyl, butyl, methyl & toluene  
 Weight: 29.07g.  
 ROHS 2 COMPLIANT  
**Mounting Instruction:**  
 Use 2-56 machine screws or eyelets 0.089" OD by 0.15" flange stimpson GS-3 series or equivalent. also adhesives and double sided tapes work well.

|                       |   |                                   |  |
|-----------------------|---|-----------------------------------|--|
| Tolerance (Inches)    |  <b>Memory Protection Devices, Inc</b><br>200 Broad Hollow Road, Farmingdale, New York 11735 |                                   |  |
| Decimal ±.5 (.020)    | Scale   | Drawn By B.S.<br>Approved By T.B. |  |
| Fractional ±.8 (.030) | Title<br>THREE 18650 LI-ION CELL HOLDER   |                                   |  |
| Angular ± 3°          | Date<br>07/22/17  | Drawing Number<br>BK-18650-PC6    |  |