

Specification for Transducer	Page	2/11
	Revision No.	1.3
	Drawing No.	OEM2146R
Model No. : CBEG2220H-2146		

CONTENTS

1. Scope
范围
2. General
概要
3. Electrical and Acoustic Characteristics.
电声参数
4. Reliability Test
可靠性试验
5. Measurement Block Diagram & Response curve
测试图和曲线图
6. Structure
结构
7. Dimensions
尺寸
8. Packing
包装
9. Cautions for Use
注意事项
10. Cautions
警告
11. Revision
履历表

Specification for Transducer	Page	3/11
	Revision No.	1.3
	Drawing No.	OEM2146R
Model No. : CBEG2220H-2146		

1. Scope

This product specification is applied to the piezoelectric sounder in alarm systems. Please contact us when using this product for any other applications than described in the above.

本规格书适用于压电式声响器，通常它用在系统中做报警或提示的声响器用，如果将该产品用于其它领域，请与我们联系。

2. General

2.1 Out-Diameter : 22x26.5 mm

外径: 22x26.5 mm

2.2 Height : 7mm

高度: 7 mm

2.3 Weight : 3 g

重量: 3克

2.4 Operating Temperature range:

-20~+105°C without loss of function

工作温度: -20~+105°C

2.5 Store Temperature range:

-40~+110°C without loss of function

储藏温度: -40~+110°C

3. Electrical and Acoustic Characteristics.

Test condition : 15 ~ 35 °C , 25% ~ 85% RH , 860~1060 mbar

测试条件: 15~35 °C , 25%~85%RH , 860~1060mbar

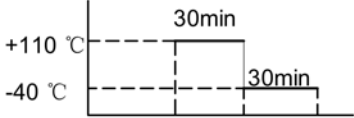
	Items 项目	Specification 规格
1	Rated Voltage 额定电压	3Vrms Sine Wave
2	Max.Rated Current 额定电流	2mA at 2.0KHz/3Vrms Sine Wave
3	Resonant Frequency 谐振频率	2.0± 0.5KHz
4	Min.Sound Pressure Level 额定声压	75dB at 2.0KHz/3Vrms Sine Wave/10cm
5	Capacitance at 100Hz 电容量 (at 100Hz)	30nF± 30%
6	Case Material/Color 壳体材质/颜色	PBT/BLACK

Specification for Transducer	Page	4/11
	Revision No.	1.3
	Drawing No.	OEM2146R
Model No. : CBEG2220H-2146		

4. Reliability Test

After test(1~7item), the transducer S.P.L. difference shall be within $\pm 10\text{dB}$, and the appearance not exist any change to be harmful to normal operation(e.g. cracks,rusts,damages and especially distortion).

在1-7项试验后，声响器的声压变化值在 $\pm 10\text{dB}$ 之内，外观无变化（例如：无开裂、生锈、损伤、变形等现象）。

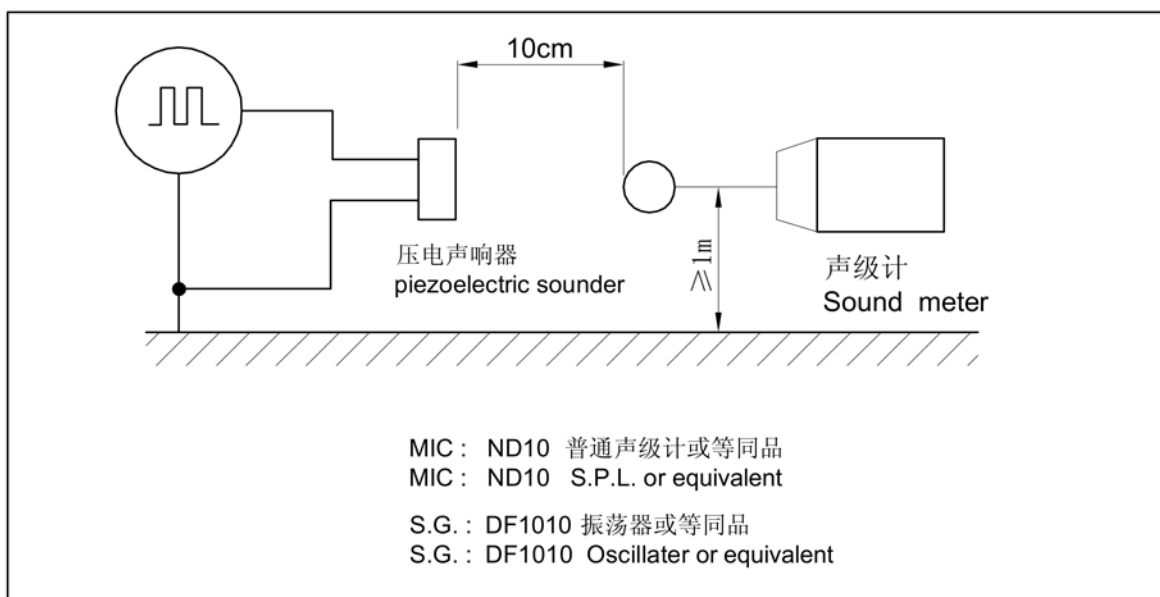
	Item	Specification
1	High Temperature Test 高温试验	<p>After being worked in a chamber with $+110\pm 2\text{ }^\circ\text{C}$ for 2h and then being placed in natural condition for 2h, sounder shall be measured.</p> <p>将产品置于 $+110\pm 2\text{ }^\circ\text{C}$ 试验箱中，先工作 2小时，然后在正常大气压条件下恢复2小时后，进行测量</p>
2	Low Temperature Test 低温试验	<p>First being worked in a chamber with $-40\pm 2\text{ }^\circ\text{C}$ for 2h and then being placed in a chamber with $-40\pm 2\text{ }^\circ\text{C}$ for 16h, finally being placed in natural condition for 2h, sounder shall be measured.</p> <p>将产品置于 $-40\pm 2\text{ }^\circ\text{C}$ 试验箱中，先工作 2小时，再放置16小时，然后在正常大气压条件下恢复2小时后，进行测量</p>
3	High Temperature High Humidity test 高温高湿试验	<p>First being placed in a chamber with temperature $85\pm 2\text{ }^\circ\text{C}$ Humidity $85\pm 3\%$ for 500 hours. Then being placed in natural condition for 2 hours. Sounder shall be measured.</p> <p>温度 $85\text{ }^\circ\text{C}\pm 2\text{ }^\circ\text{C}$, 湿度 $85\% \pm 3\%$, 持续500小时后，再在常温下恢复2小时测试</p>
4	Thermal Shock Test 冷热冲击试验	<p>First being placed in a chamber $-40\pm 3\text{ }^\circ\text{C}$ for 30 minutes. Then being placed in a chamber with $+110\pm 2\text{ }^\circ\text{C}$ for 30 minutes. After above 500 cycles. Sounder being placed in natural condition for 2 hours, sounder shall be measured.</p> <p>$-40\text{ }^\circ\text{C}\pm 3\text{ }^\circ\text{C}$，持续30min，$+110\text{ }^\circ\text{C}\pm 2\text{ }^\circ\text{C}$，持续30min，试验周期为500Cycle</p> 

Model No. : CBEG2220H-2146	Specification for Transducer	Page	5/11
		Revision No.	1.3
		Drawing No.	OEM2146R

4. Reliability Test

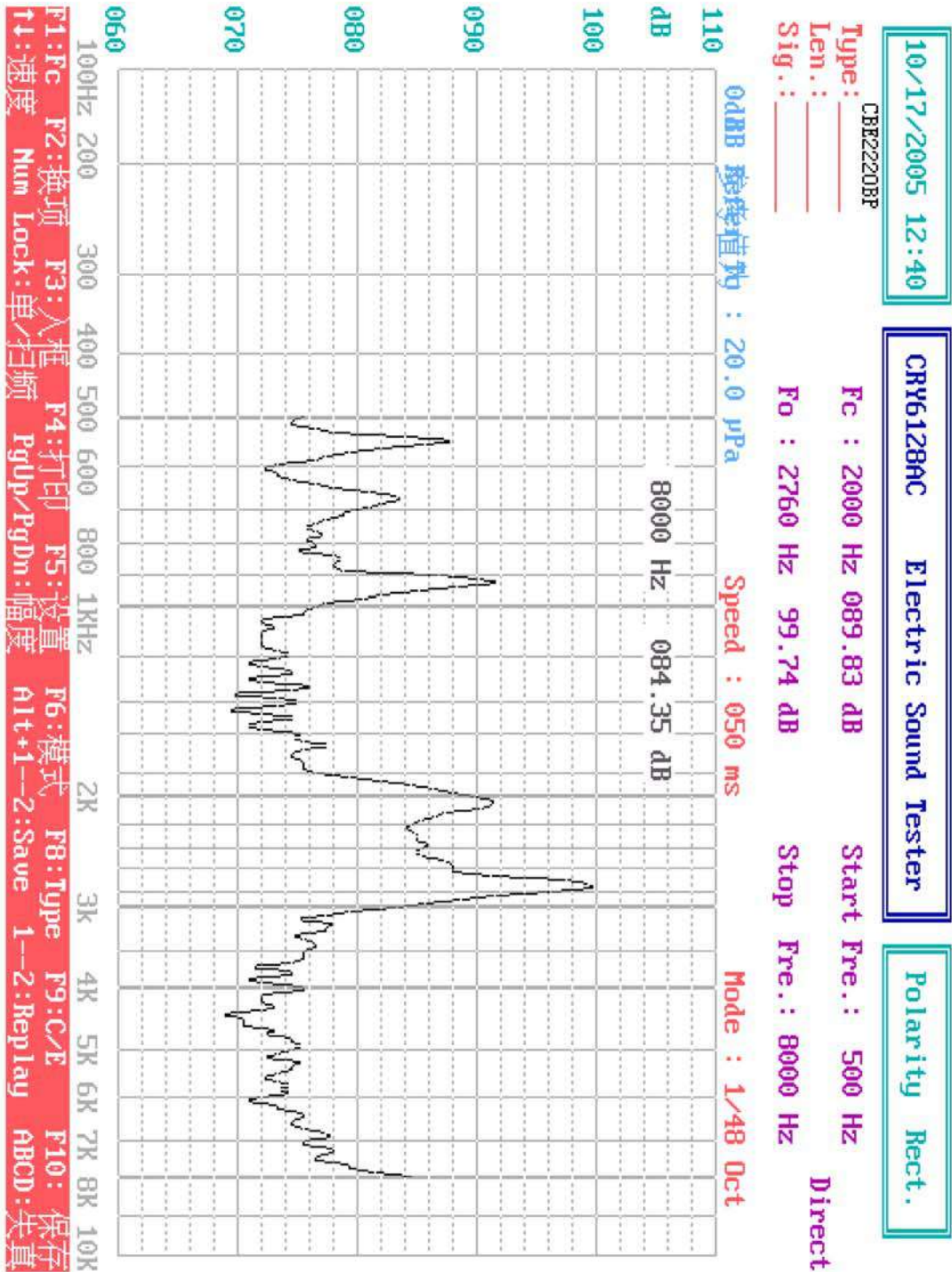
	Item	Specification
5	Vibration Resistance 振动试验	Sounder shall be measured after being applied vibration of amplitude of 1.5mm with 10 to 55Hz band of vibration frequency to each of 3 perpendicular directions for 2 hour. 振幅为1.5mm，频率为10-55Hz，三个不同轴方向各振动2小时，试验后进行测量。
6	Drop Test 跌落试验	Sounder packed in the carton are dropped in six direction from the height of 80cm to the concrete floor. 跌落高度80cm,6个不同方向整箱跌落到水泥地，试验后进行测量。
7	Solderability 可焊性试验	Lead terminals are immersed in rosin for 5 seconds and the immersed in solder bath of $+260\pm 5^{\circ}$ C for 3 ± 0.5 seconds. 插针浸入松香5秒，然后再浸入 $+260\pm 5^{\circ}$ C的锡炉中 3 ± 0.5 秒，插针表面应覆盖一层光滑明亮的焊料。
8	Terminal Strength Pulling 插针强度试验	The force 10 seconds of 9.8N is applied go each terminal in axial direction. 插针应承受9.8N拉力，拉力时间10秒，插针无松动和脱落现象。

5. Measurement Block Diagram & Response curve



Specification for Transducer	Page	6/11
	Revision No.	1.3
	Drawing No.	OEM2146R

Model No. : CBEG2220H-2146



Specification for Transducer	Page	7/11
	Revision No.	1.3
Model No. : CBEG2220H-2146	Drawing No.	OEM2146R

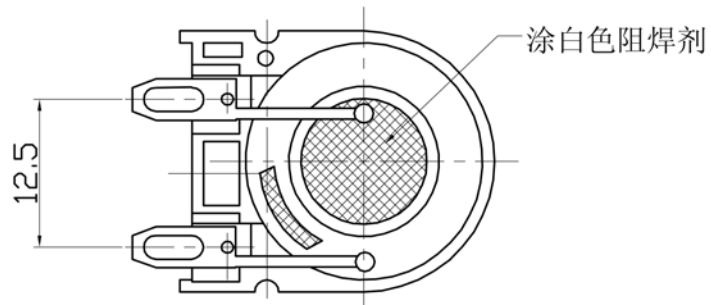
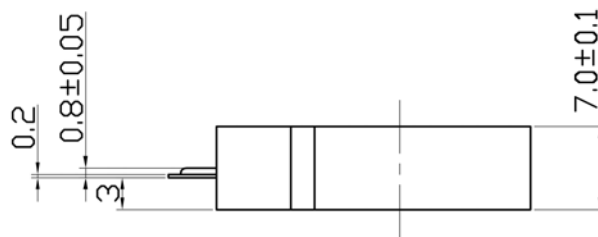
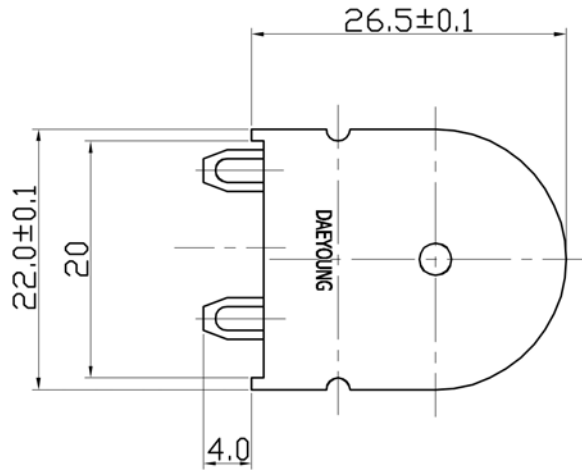
6. Structure



3	Housing 壳体	1	PBT(G20)	
2	Pin 插针	2	H62	
1	Piezo-Element 蜂鸣片	1	H65	耐高温110° C
			Piezo Ceramic	
No.	Part Name 型号	Q'TY 数量	Material 材质	Remarks 备注

Specification for Transducer	Page	8/11
	Revision No.	1.3
Model No. : CBEG2220H-2146	Drawing No.	OEM2146R

7. Dimensions



FIRST ANGLE PROJECTION



UNIT : mm
Tolerance : ± 0.5

Specification for Transducer Model No. : CBEG2220H-2146	Page	9/11
	Revision No.	1.3
	Drawing No.	OEM2146R

8. Packing

产品的外包装是纸箱, 它应该清楚的标明型号, 数量, 出厂检验批号.
在运输及储存的过程中, 产品必须不会受到机械损伤.

Each minimum package unit of products shall be in a carton box and it shall be clearly marked with Part Number, quantity and outgoing inspection number.

There shall be no mechanical damage on products during transportation and/or in storage.



Picture1(80PCS)



Picture2(960PCS)



Picture3(960PCS)



Picture4(960PCS)

QTY:960Pcs

SIZE:310x245x310mm

Specification for Transducer Model No. : CBEG2220H-2146	Page	10/11
	Revision No.	1.3
	Drawing No.	OEM2146R

9. Cautions for Use

- 9.1 如果产品所承受的机械应力超过规定的值, 元件可能被破坏。
The component may be damaged if mechanical stress over this specification is applied.
- 9.2 请注意保护工作电路不会因失误, 跌落和温度变化而产生浪涌电压。
Please pay attention to protect operating circuit from surge voltage provided by something of force such as failing ,shock and temperature changing.
- 9.3 请注意永远不要给压电声响器施加直流电压。
Please pay attention never to be applied DC voltage to piezo sounder.
- 9.4 该声响器不适合洗涤, 因为它不密封。
Washing of the component is not acceptable. Because it is not sealed.
- 9.5 在使用烙铁的情况下, 应注意烙铁头的温度应该保持在+350℃以下, 并且焊接时间控制在3秒内。
In case of using solder iron for soldering, the top of soldering iron's temperature should be kept less than +350 °C .Moreover the soldering time should be also kept with in 3seconds.

10. Cautions

如果产品使用于下列高可靠性的装置时, 请与我们联系, 以免对人的生命, 财产和身体造成损害.

Please contact us before using our products for the undermentioned applications requiring especially high reliability in order to prevent defects which might directly cause damage to other party's life, body or property(listed below).

- (1)Aircraft equipment 飞行设备
- (2)Aerospace equipment 航天设备
- (3)Undersea equipment 潜水设备
- (4)Medical equipment 医疗设备
- (5)Transportation equipment (automobiles,trains ,ships) 交通设施
- (6)Traffic signal equipment 交通信号设备
- (7)Disaster prevention/crime prevention equipment 防灾害/防犯罪设备
- (8)Data-processing equipment 数据处理设备
- (9)Applications of similar complexity or reliability requirements comparable to the applications listed in the above 以及与上述相类似或可靠性要求更高的设备

