

MODEL: CN2538-63LB P4



**ELECTRICAL SPECIFICATION:**

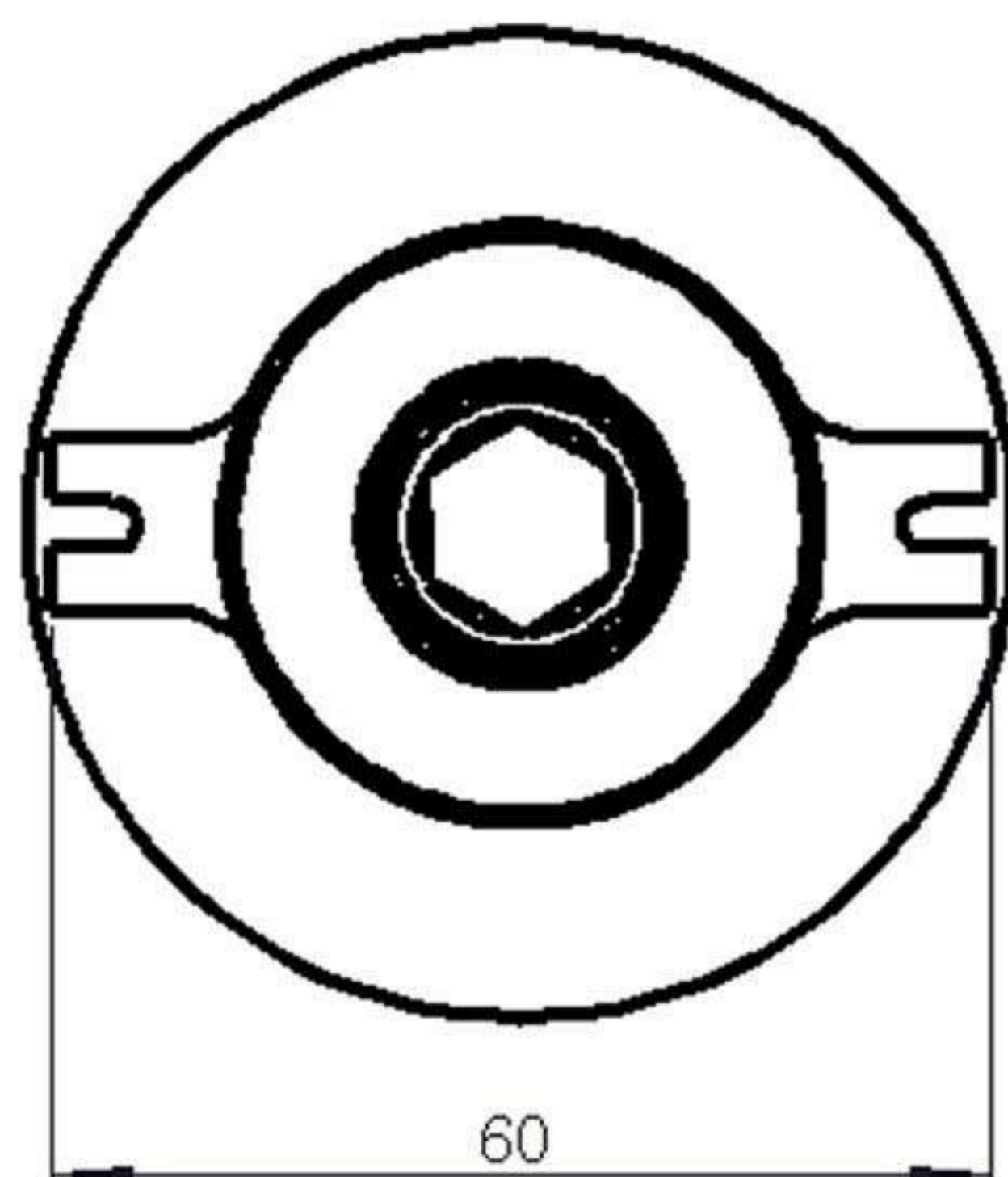
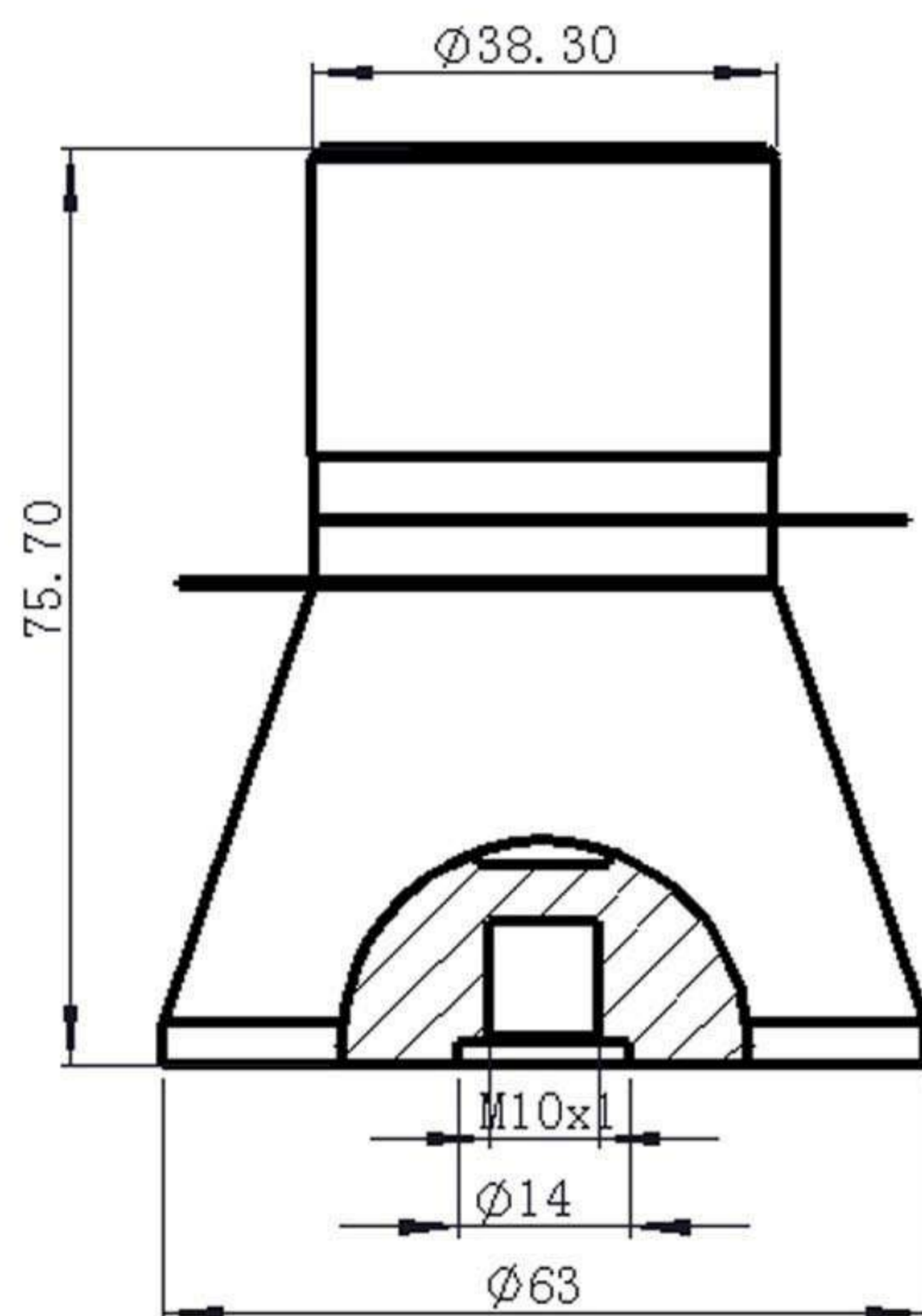
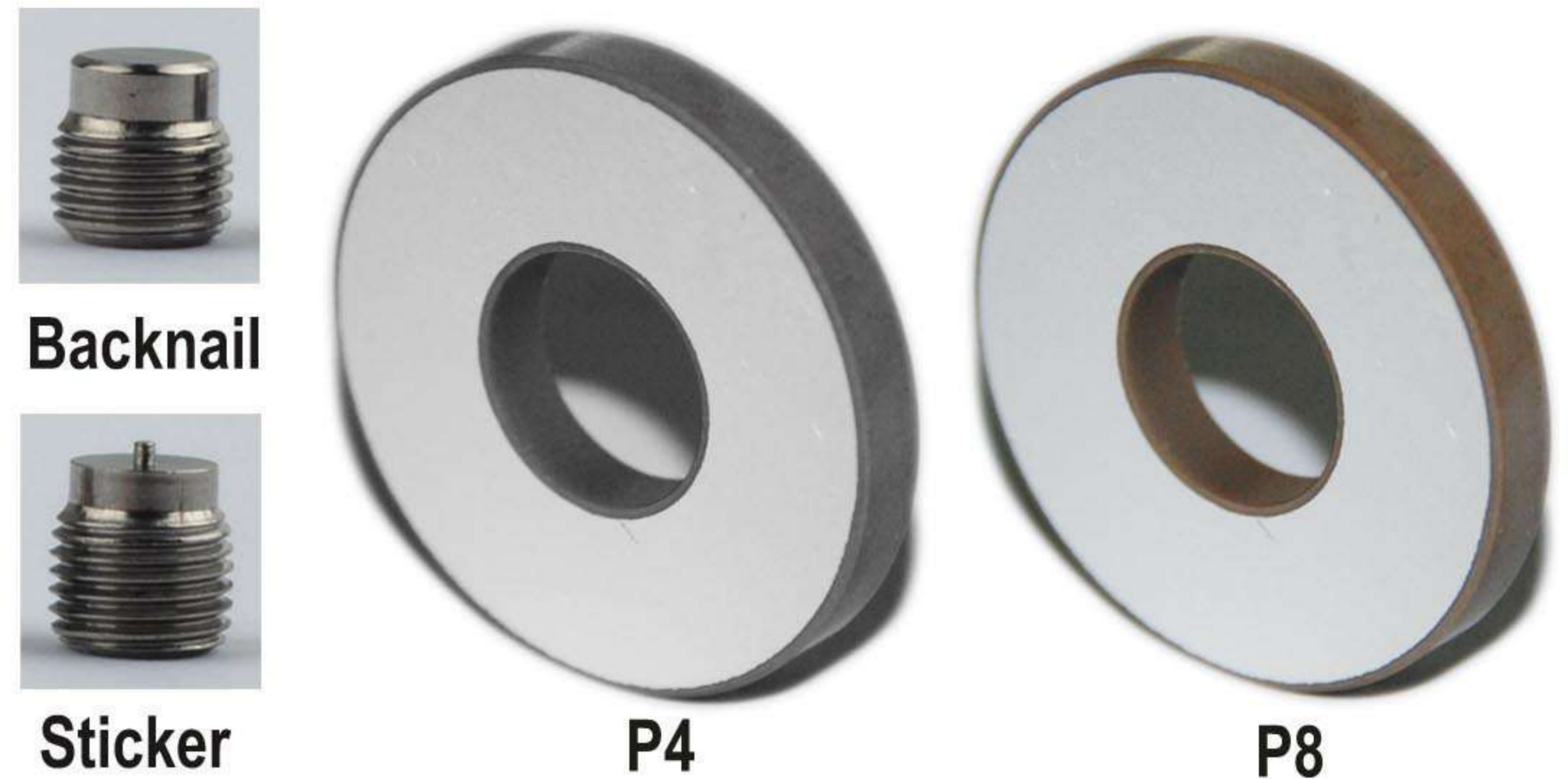
Item	Unit	Standard
Resonant Frequency	KHz	25 ± 0.5
Resonant Impedance	Ω	25 ↓
Capacitance	PF	5200 ± 10%
Diameter	MM	63
Total height	MM	76
Insulation Impedance	MΩ	10000 ↑
Rated Power	W	60

"P4" - Black piezoelectric ceramic, which transmits better  
 "P8" - Yellow piezoelectric ceramic, which has better heat stability

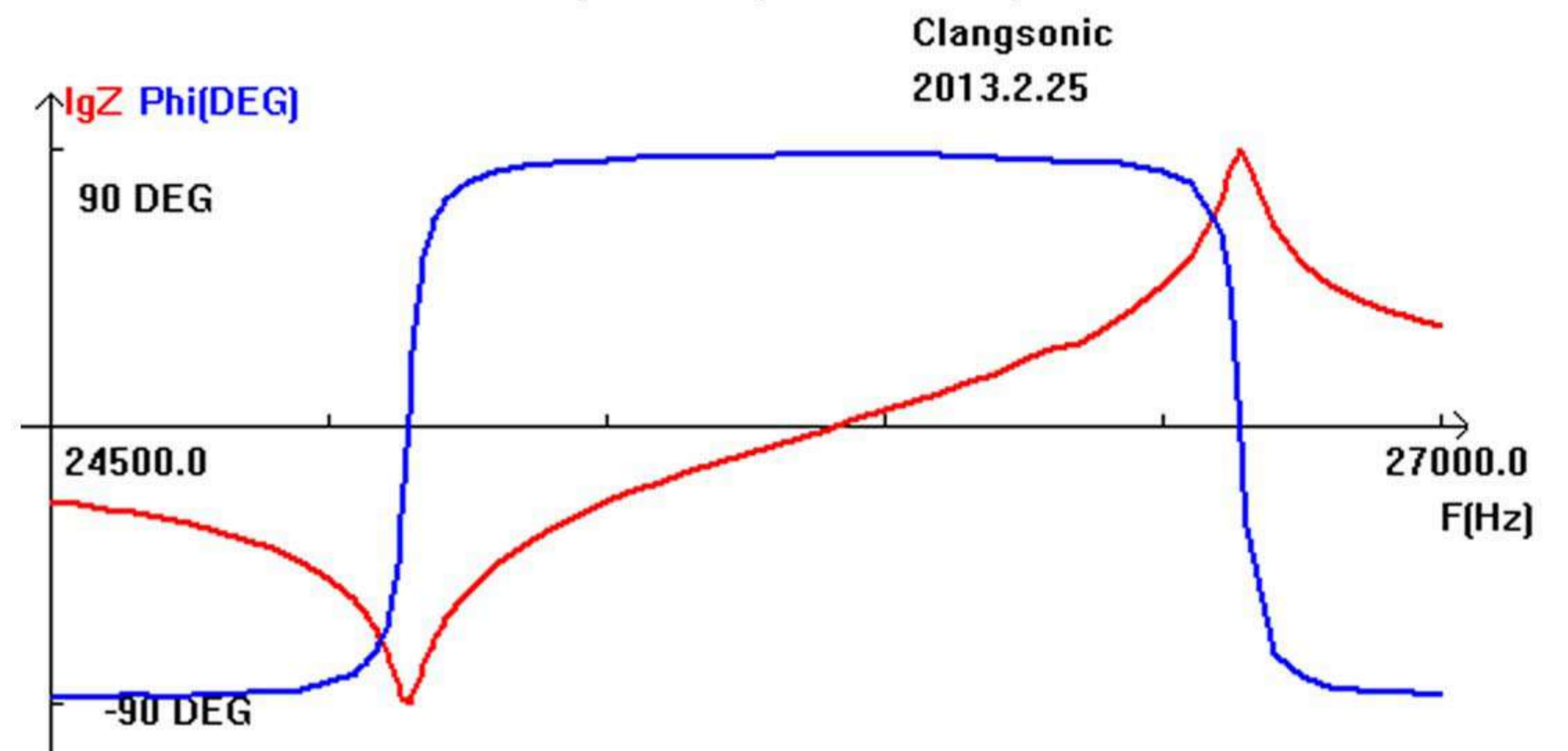
Backnail: welded to substrate by Argon Arc Welding Technology.

Sticker: welded to substrate by Energy Storage Type Studs Gun Welding Technology.

Please tell us what kind of ceramic and screw you need.



对数坐标图 (CN2538-63LB)



Fs(Hz):	25146.0	CT(nF):	5.425928
F1(Hz):	25125.5	C0(nF):	4.833268
F2(Hz):	25164.9	C1(nF):	0.592660
Qm:	637.427063	L1(mH):	67.596237
Gmax(ms):	59.685936		
R1(ohm):	16.754366		
Fp(Hz):	26640.0		
Keff:	0.330177		

Tel:086-576-87276622 Email:info@clangsonic.com

Website:www.clangsonic.com

