

MODEL: CN2835-45HB P4



ELECTRICAL SPECIFICATION:

Item	Unit	Standard
Resonant Frequency	KHz	28±0.5
Resonant Impedance	Ω	25 ↓
Capacitance	PF	3900 ± 10%
Diameter	MM	45
Total height	MM	80
Insulation Impedance	MΩ	10000 ↑
Rated Power	W	50

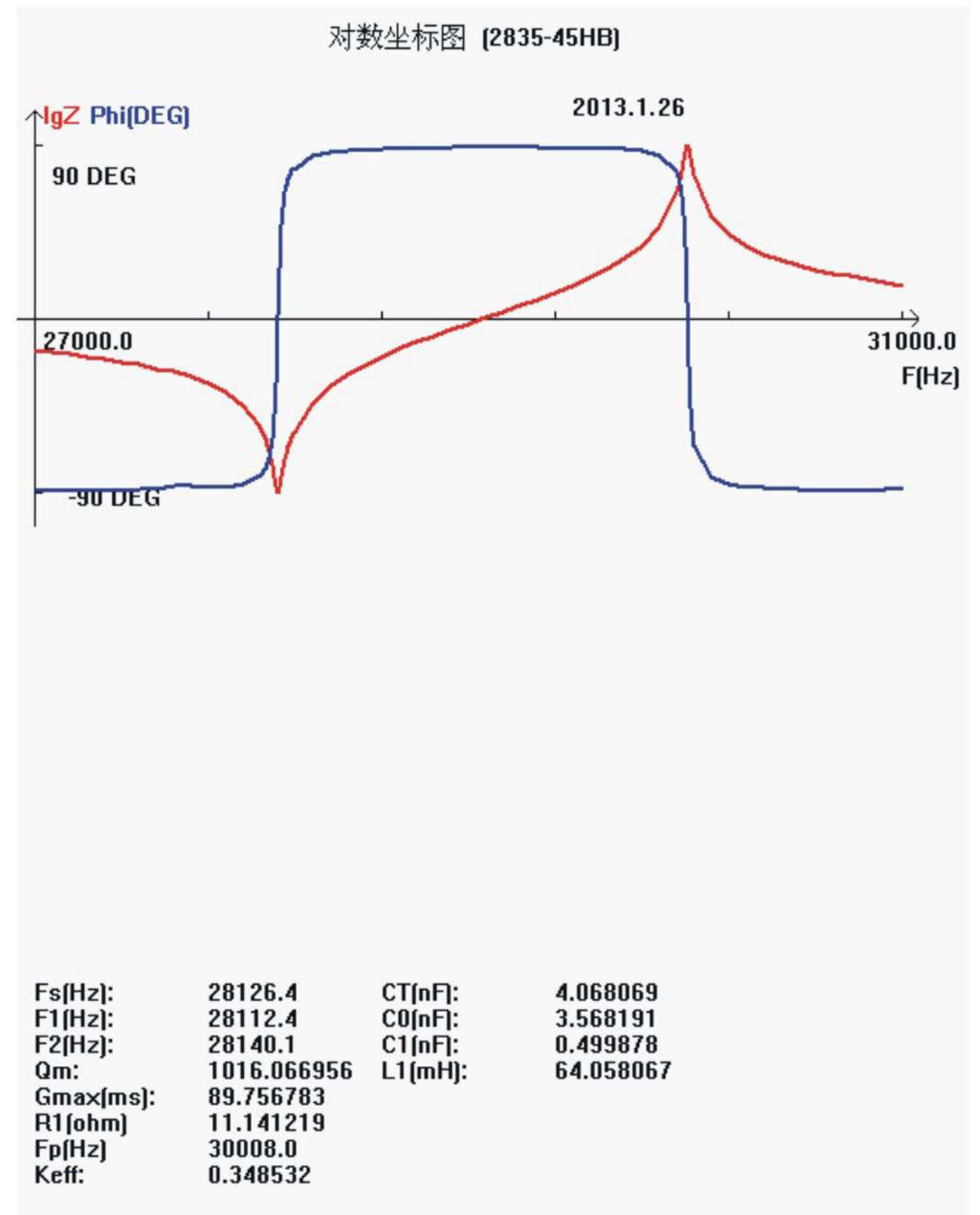
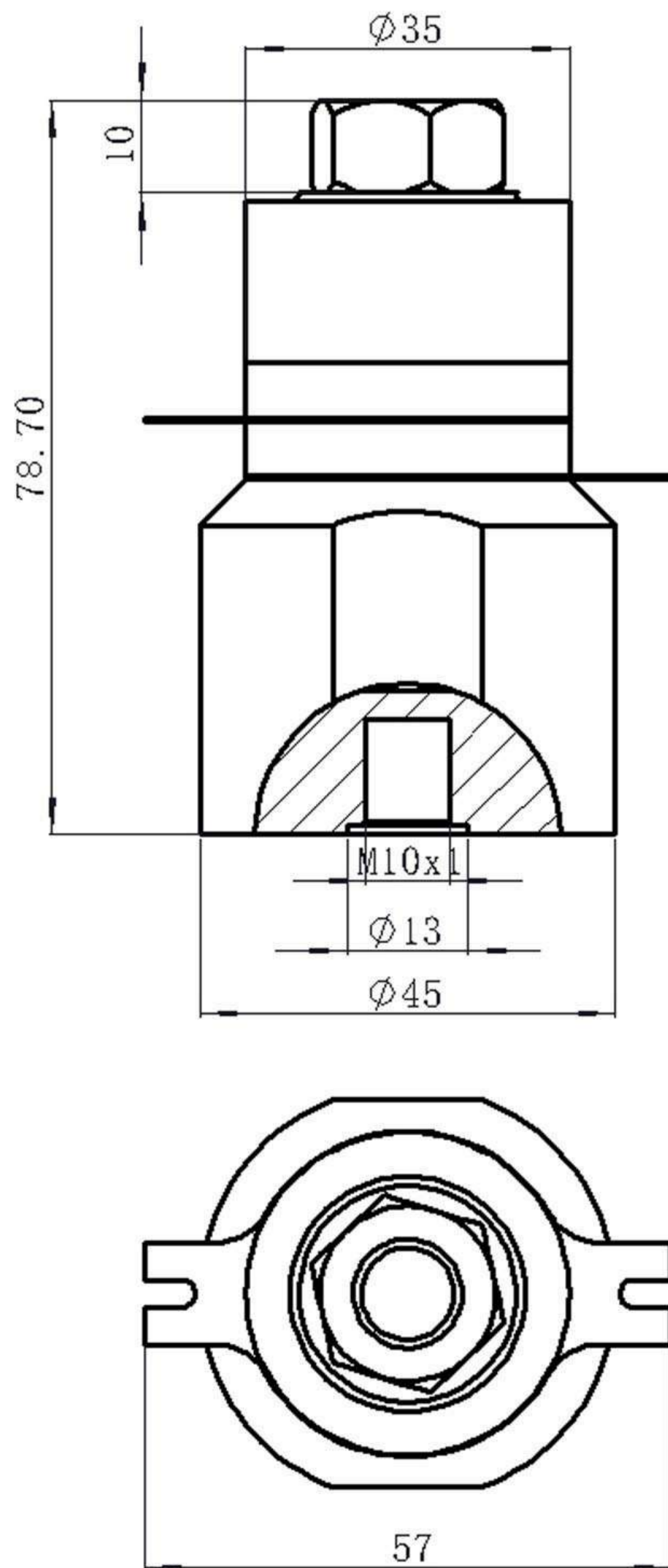
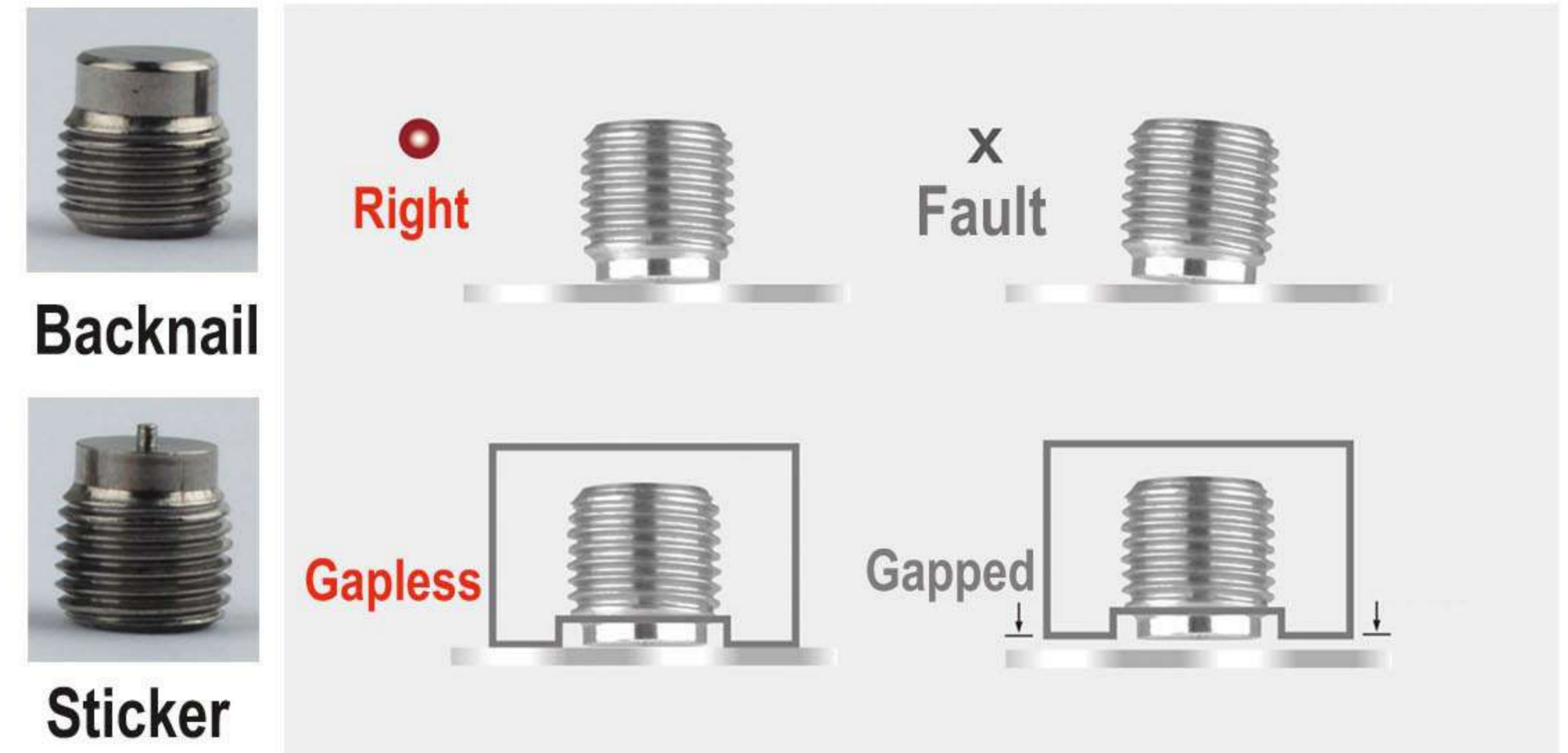
Backnail: welded to substrate by Argon Arc Welding Technology.

Sticker: welded to substrate by Energy Storage Type Studs Gun Welding Technology.

Backnail or Sticker is just for transducers which with threaded hole in radiating surface.

Please tell us what kind of screw you need.

The correct method of installation as follows.



Tel:086-576-87276622 Email:info@clangsonic.com

Website:www.clangsonic.com

