

MODEL: CN2850-67LB P4



ELECTRICAL SPECIFICATION:

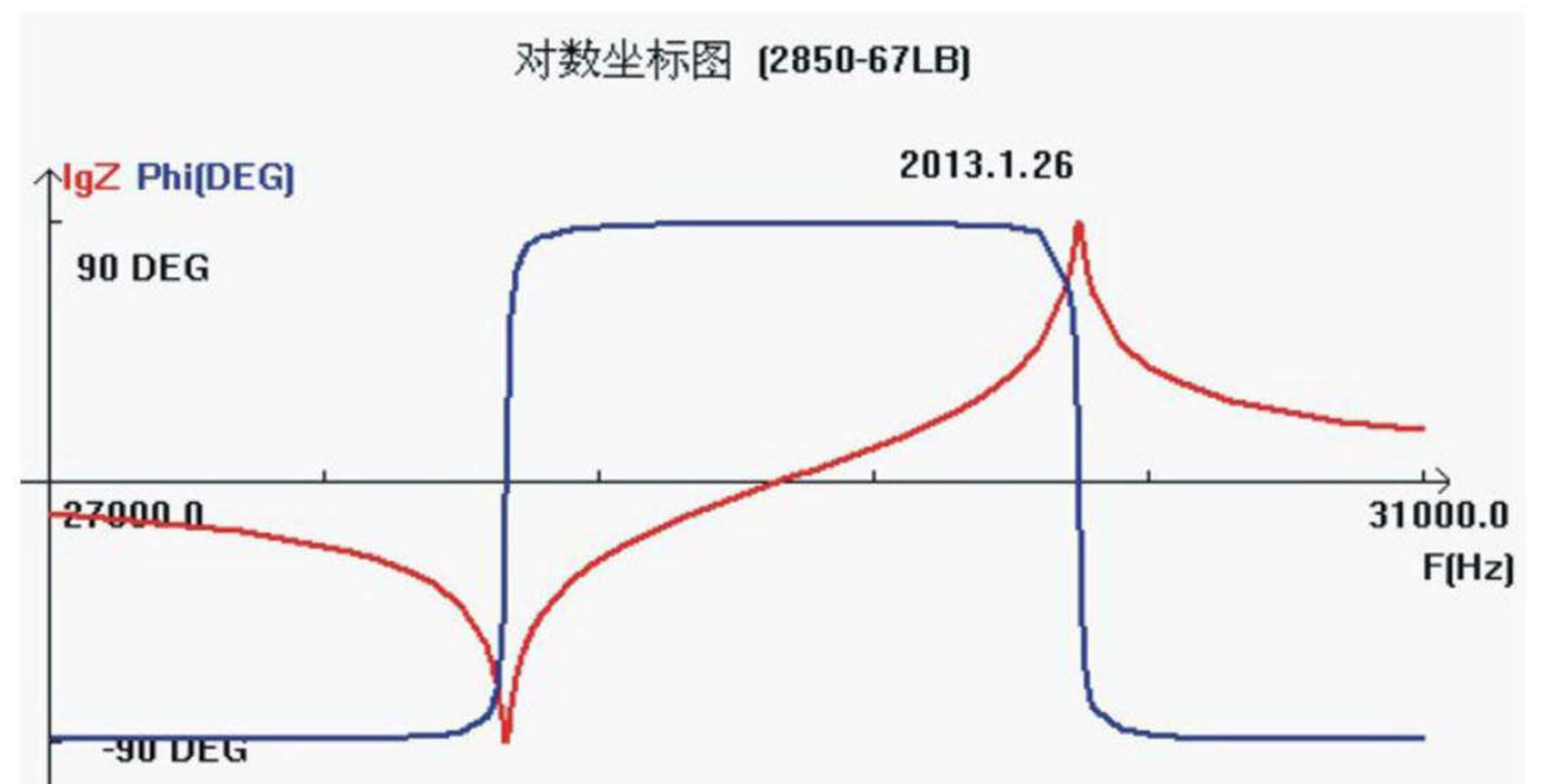
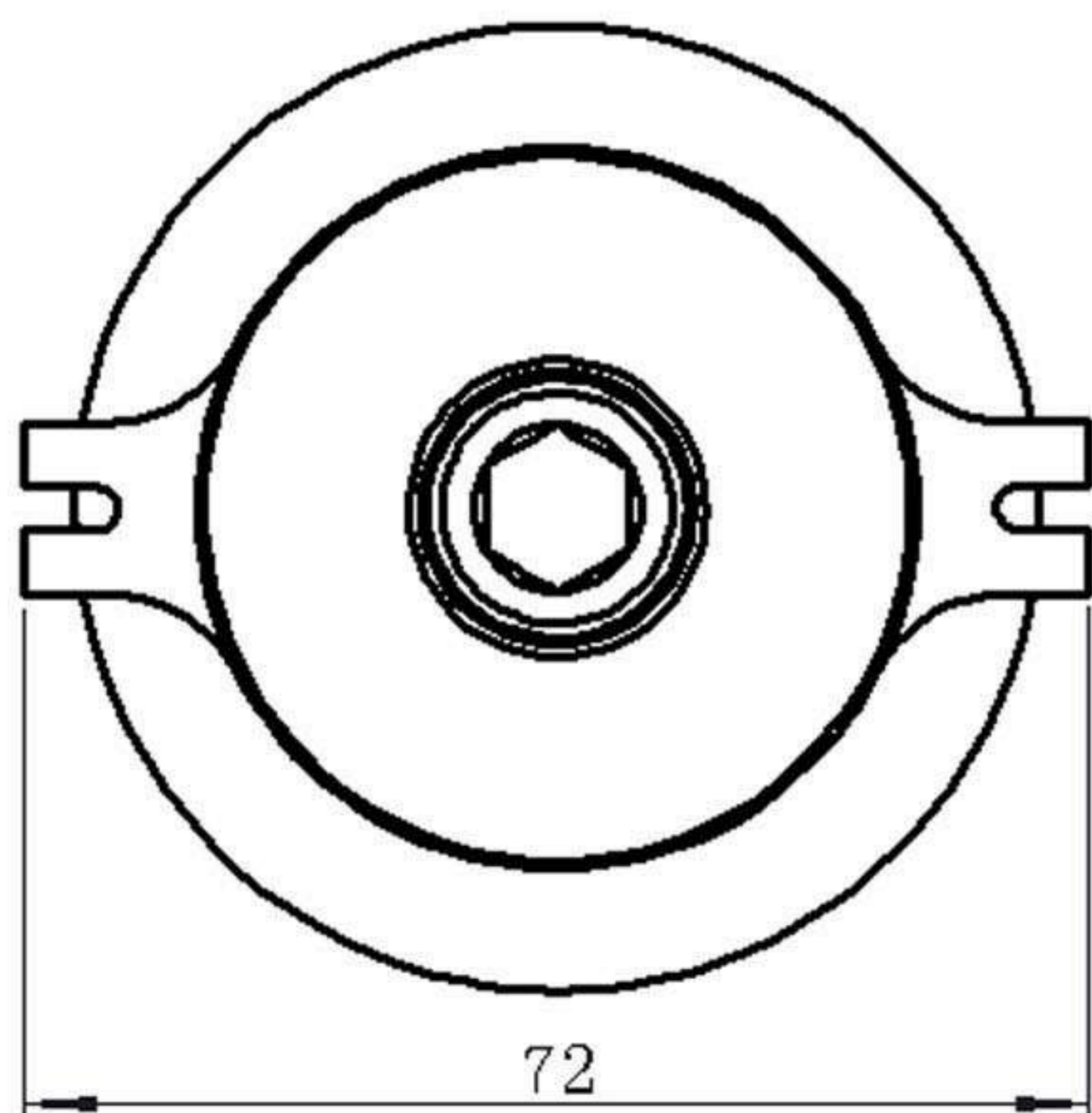
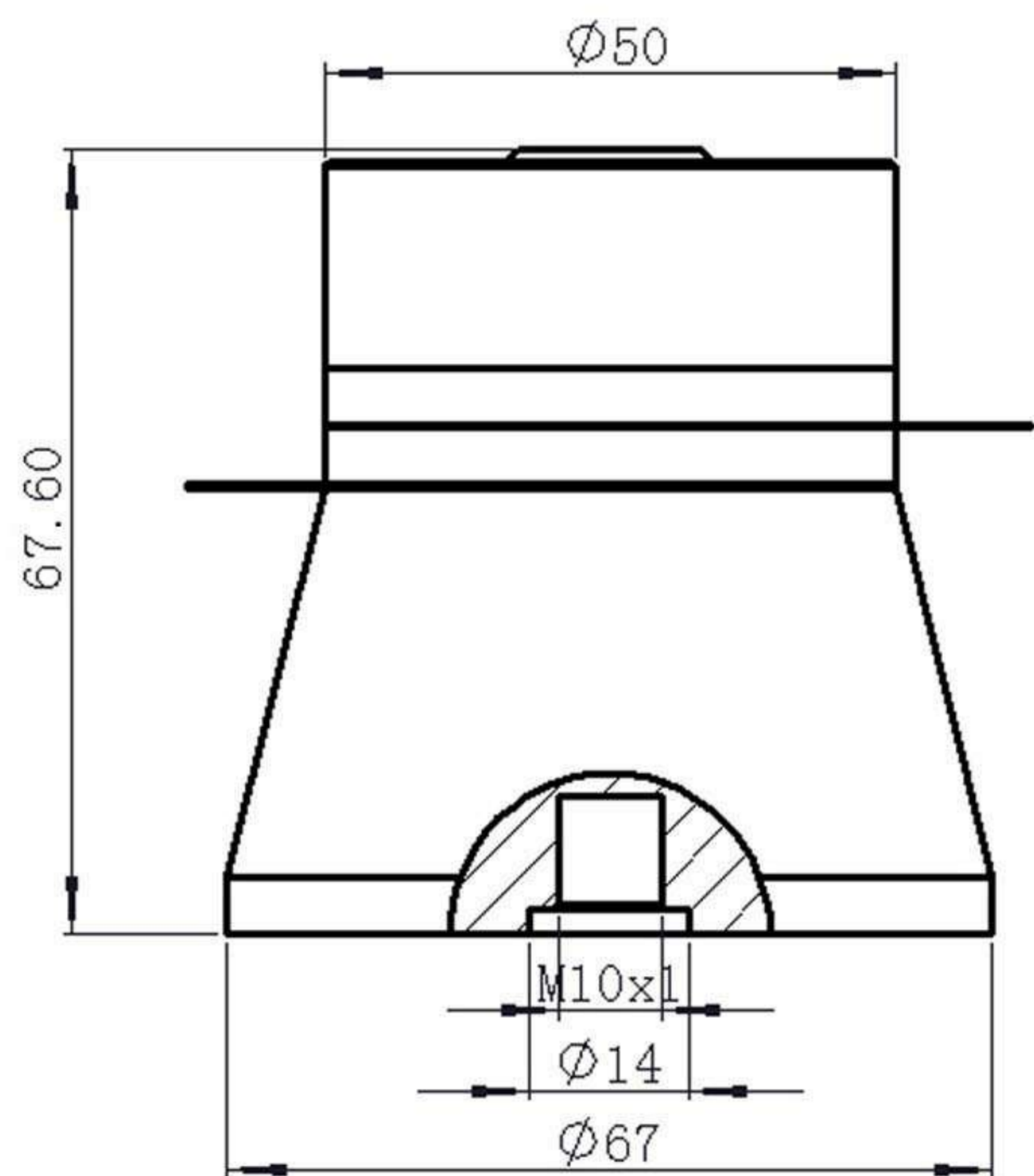
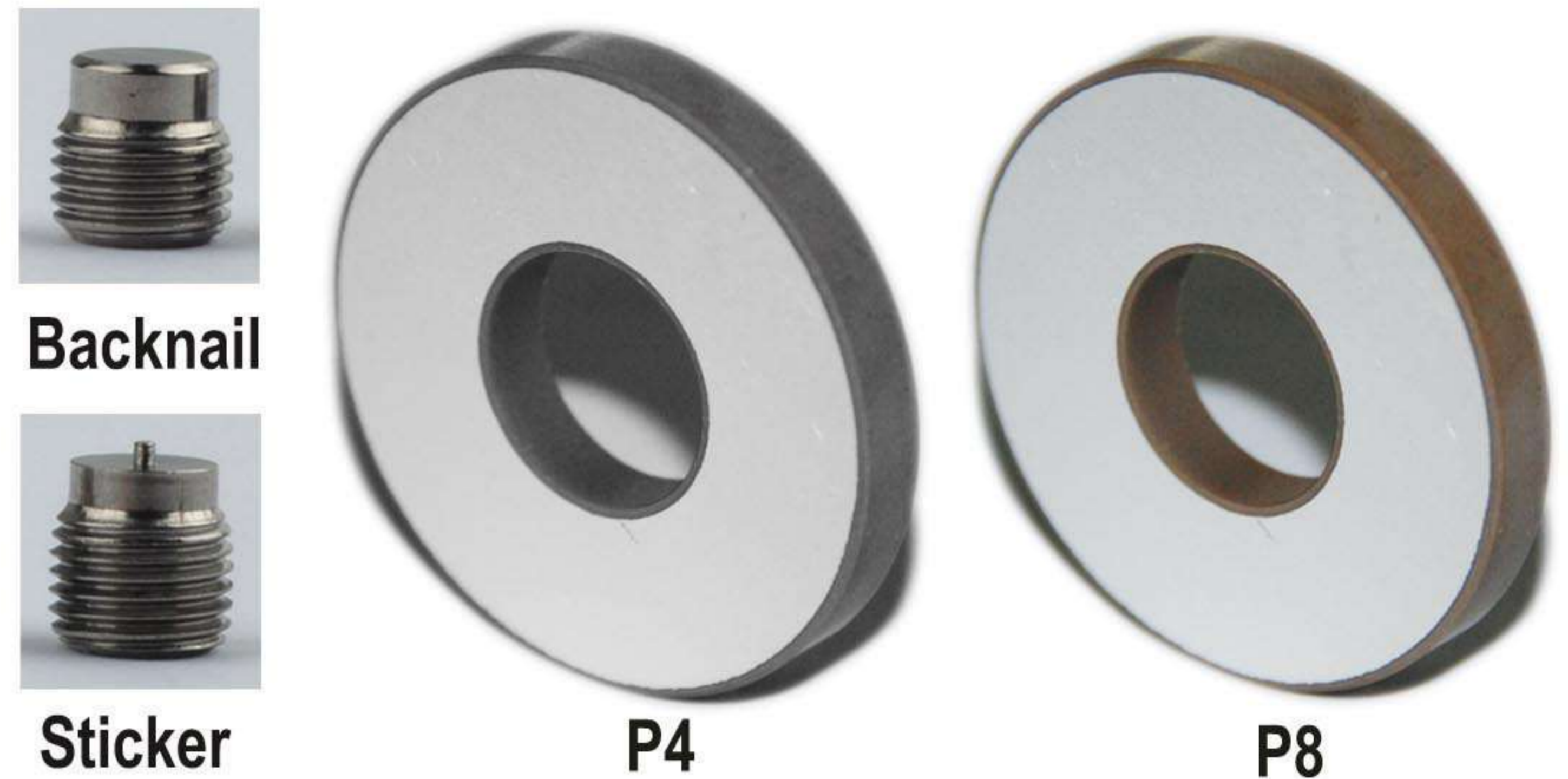
Item	Unit	Standard
Resonant Frequency	KHz	28 ± 1
Resonant Impedance	Ω	25 ↓
Capacitance	PF	8800 ± 10%
Diameter	MM	67
Total height	MM	69
Insulation Impedance	MΩ	10000 ↑
Rated Power	W	120

"P4" - Black piezoelectric ceramic, which transmits better
 "P8" - Yellow piezoelectric ceramic, which has better heat stability

Backnail: welded to substrate by Argon Arc Welding Technology.

Sticker: welded to substrate by Energy Storage Type Studs Gun Welding Technology.

Please tell us what kind of ceramic and screw you need.



Fs[Hz]:	28334.4	CT[nF]:	7.632776
F1[Hz]:	28326.1	C0[nF]:	6.596074
F2[Hz]:	28344.9	C1[nF]:	1.036703
Qm:	1507.712891	L1[mH]:	30.435724
Gmax[ms]:	278.261993		
R1[ohm]:	3.593735		
Fp[Hz]:	30000.0		
Keff:	0.328569		

Tel:086-576-87276622 Email:info@clangsonic.com

Website:www.clangsonic.com