

MODEL: CN2850-67LB P8



ELECTRICAL SPECIFICATION:

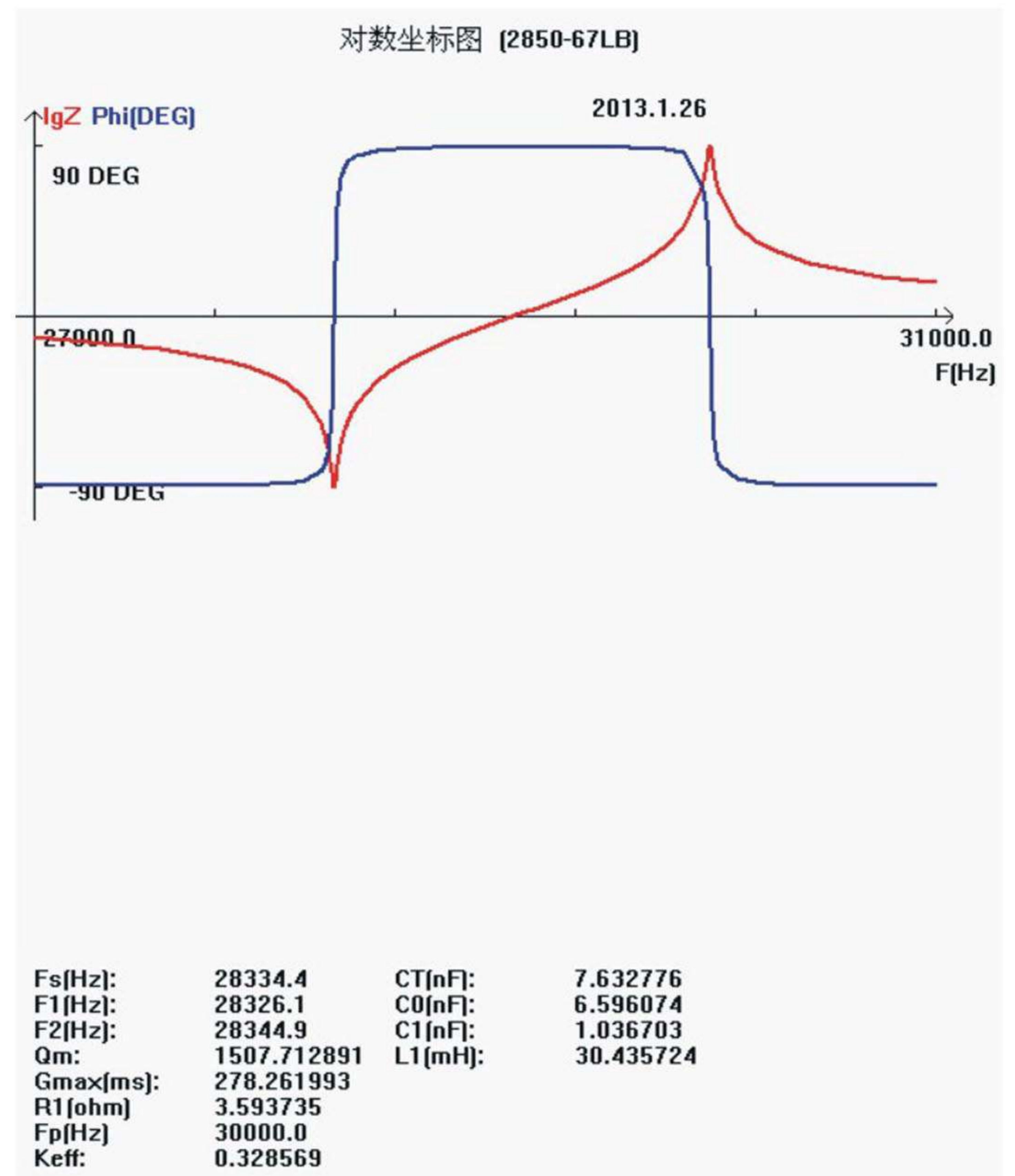
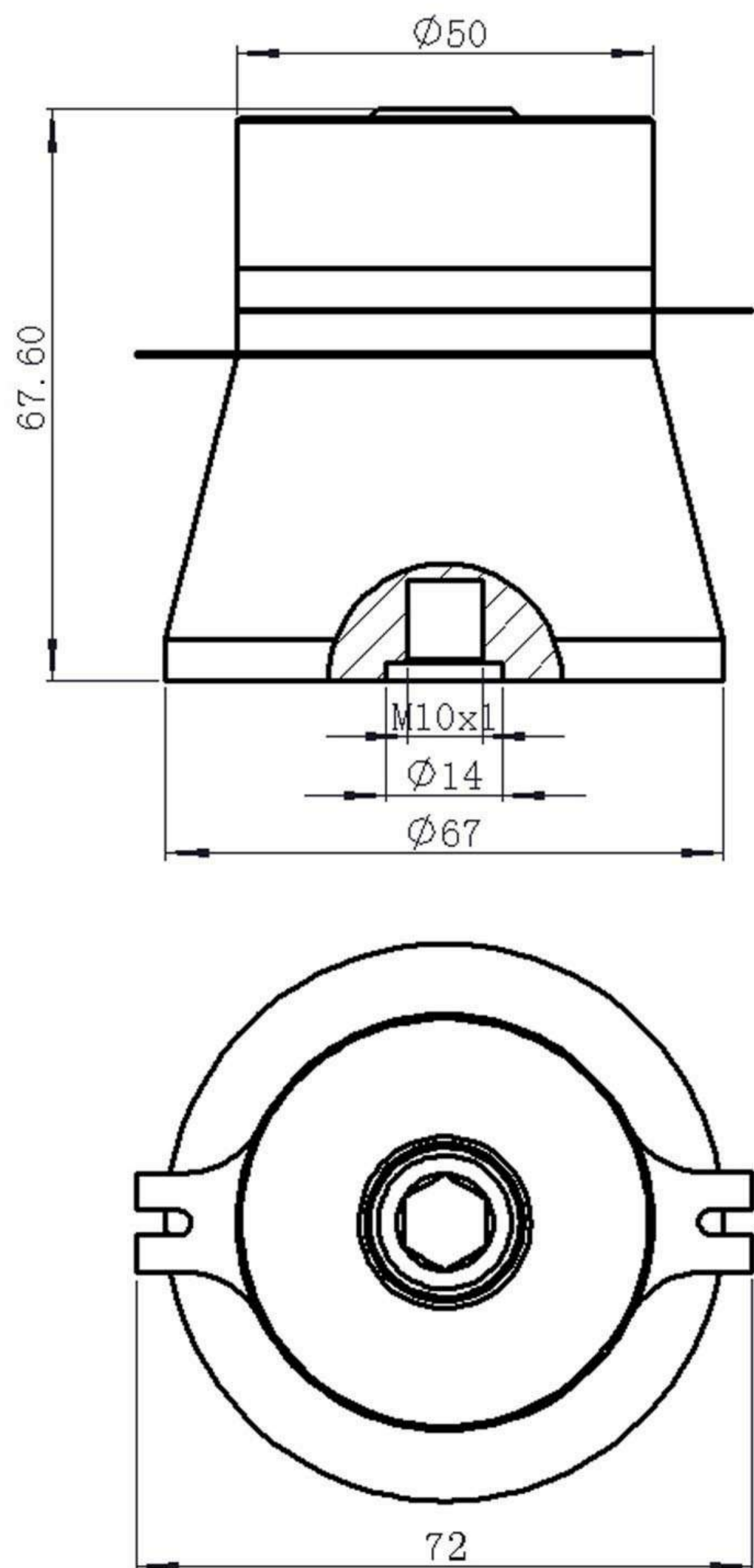
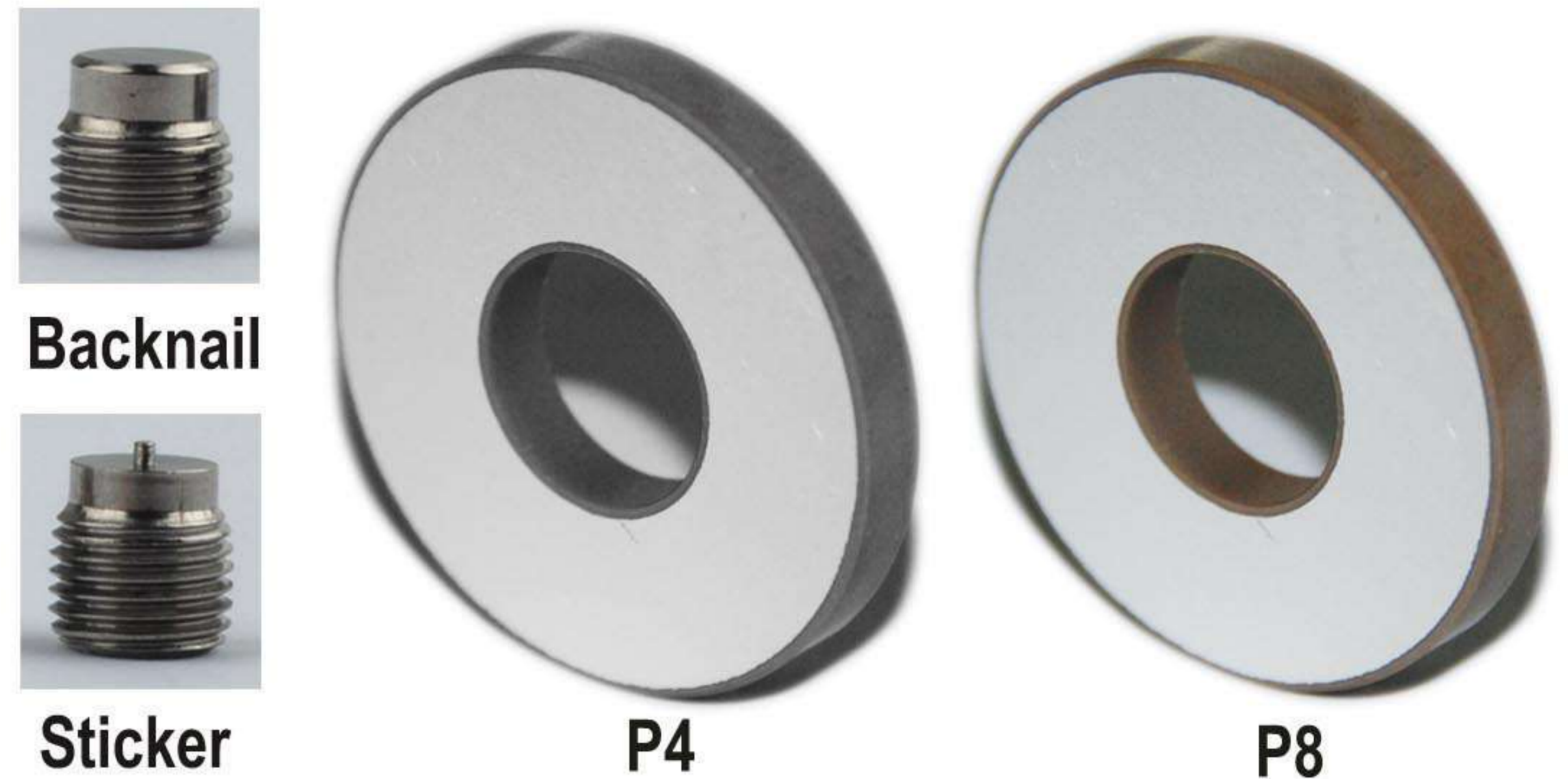
Item	Unit	Standard
Resonant Frequency	KHz	28 ± 1
Resonant Impedance	Ω	25 ↓
Capacitance	PF	6800 ± 10%
Diameter	MM	67
Total height	MM	69
Insulation Impedance	MΩ	10000 ↑
Rated Power	W	120

"P4" - Black piezoelectric ceramic, which transmits better
 "P8" - Yellow piezoelectric ceramic, which has better heat stability

Backnail: welded to substrate by Argon Arc Welding Technology.

Sticker: welded to substrate by Energy Storage Type Studs Gun Welding Technology.

Please tell us what kind of ceramic and screw you need.



Tel:086-576-87276622 Email:info@clangsonic.com

Website:www.clangsonic.com