

MODEL: CN2850-68LB P8

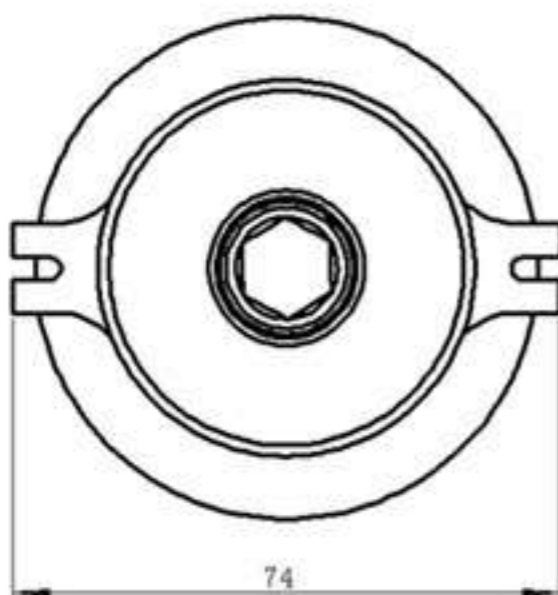
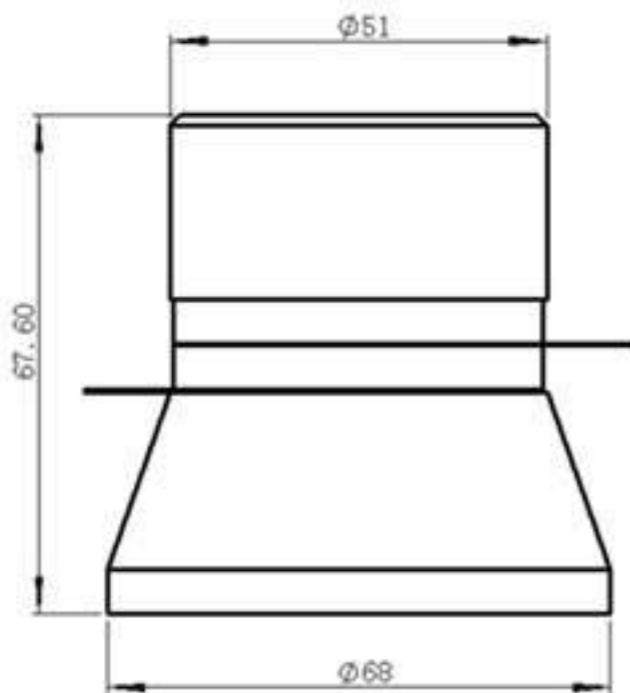


**ELECTRICAL SPECIFICATION:**

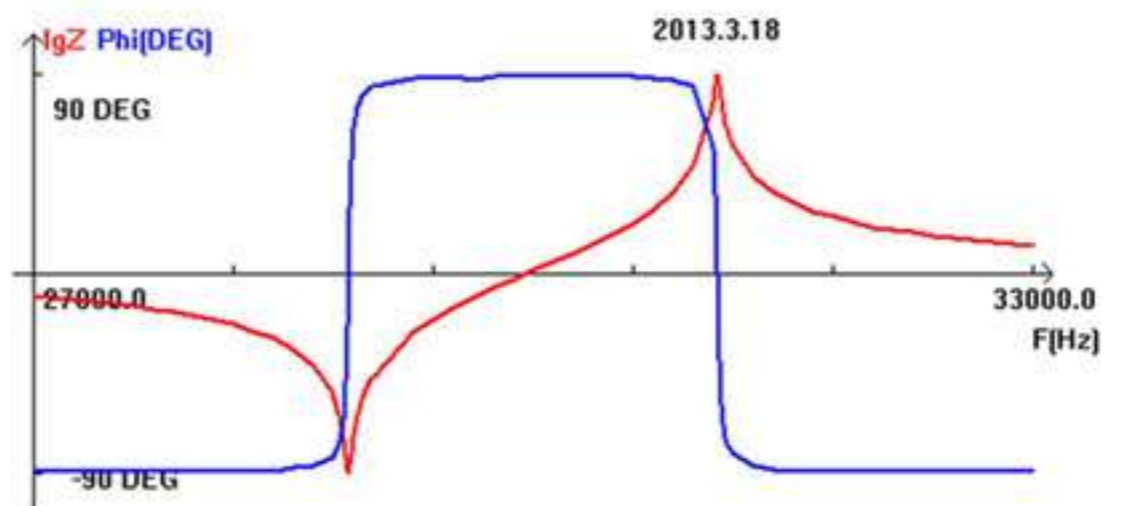
Item	Unit	Standard
Resonant Frequency	KHz	28 ± 1
Resonant Impedance	Ω	25 ↓
Capacitance	PF	5800 ± 10%
Diameter	MM	68
Total height	MM	68
Insulation Impedance	MΩ	10000 ↑
Rated Power	W	120

**Code Meaning**

- “CN”-CLANGSONIC
- “28” -Frequency
- “50” -Diameter of Piezoceramics
- “68” -Diameter of Radiating Surface
- “L” -Trumpet Base
- “H” -Cylindrical Base
- “A” -Without Screw Hole in Radiating Surface
- “B” -With Screw Hole In Radiating Surface
- “P4” -Black Piezoceramic
- “P8” -Yellow Piezoceramic



对数坐标图



Fs[Hz]:	28896.0	CT[nF]:	5.834750
F1[Hz]:	28883.1	C0[nF]:	4.988503
F2[Hz]:	28911.7	C1[nF]:	0.846247
Qm:	1012.091370	L1[mH]:	35.850357
Gmax[ms]:	155.496796		
R1[ohm]	6.431001		
Fp[Hz]	31104.0		
Keft:	0.370049		

Tel:086-576-87276622 Email:info@clangsonic.com

Website:www.clangsonic.com

