



Ph Free

RoHS Compliant

**Features**

- Reference frequency for telecommunication systems
- Reflow compatible
- Using ceramic package resulting in high reliability
- Small and low profile

**Applications**

- Mobile Communications, Bluetooth, Wireless LAN

**How to Order**

CX3225SB 26000 □□□□□□  
 ① ② ③ ④ ⑤ ⑥ ⑦

① Series	② Frequency
③ Load Capacitance	④ Frequency Stability
<b>B0</b> 6 pF —	<b>F</b> $\pm 10 \times 10^{-6}$ Std.
<b>D0</b> 8 pF Std.	<b>G</b> $\pm 15 \times 10^{-6}$ —
<b>F0</b> 10 pF —	

⑤ Operating Temp. Range	⑥ Frequency Temp. Stability
<b>FF</b> -20 to +70°C	$\pm 10 \times 10^{-6}$ —
<b>LJ</b> -30 to +85°C	$\pm 15 \times 10^{-6}$ Std.

⑦ Individual Specification

**Specifications**

Item	Symbol	Specification	Units	Remarks
Frequency Range	f <sub>nom</sub>	12000 to 54000	kHz	
Overtone Order	OT	Fundamental	—	
Load Capacitance	CL	8	pF	
Frequency Stability	f <sub>tol</sub>	±10	×10 <sup>-6</sup>	25°C±3°C
Motional Series Resistance	R1	Table 1	ohm	
Drive Level	DL	Table 2	μW	
Operating Temp. Range	T <sub>use</sub>	-30 to +85	°C	
Storage Temp. Range	T <sub>stg</sub>	-40 to +85	°C	
Frequency Temp. Characteristics	f <sub>tem</sub>	±15	×10 <sup>-6</sup>	Freq. deviation from the value at 25°C

\* Please contact us for other specifications.

Typical Frequencies and Part Numbers

Frequency (kHz)	Part Number
12000.000	CX3225SB12000D0FLJZ1
13000.000	CX3225SB13000D0FLJZ1
13560.000	CX3225SB13560D0FLJZ1
16000.000	CX3225SB16000D0FLJZ1
19200.000	CX3225SB19200D0FLJZ1
20000.000	CX3225SB20000D0FLJZ1
26000.000	CX3225SB26000D0FLJZ1
32000.000	CX3225SB32000D0FLJZ1
38400.000	CX3225SB38400D0FLJZ1
40000.000	CX3225SB40000D0FLJZ1

Table1 Motional Series Resistance

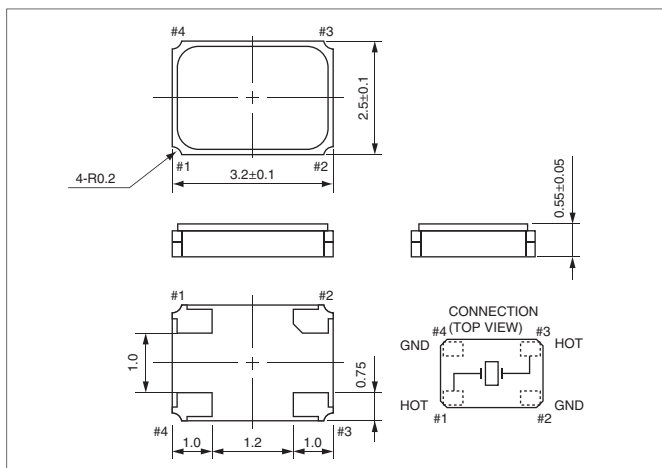
Frequency Range	Motional Series Resistance
12000 to 12999kHz	200Ω max.
13000 to 14999kHz	150Ω max.
15000 to 15999kHz	100Ω max.
16000 to 19999kHz	80Ω max.
20000 to 26999kHz	50Ω max.
27000 to 54000kHz	40Ω max.

Table2 Level of Drive

Frequency Range	Level of Drive
12000 to 54000kHz	10μW (100μW max.)

**Dimensions**

(Unit: mm)



**Recommended Land Pattern**

(Unit: mm)

