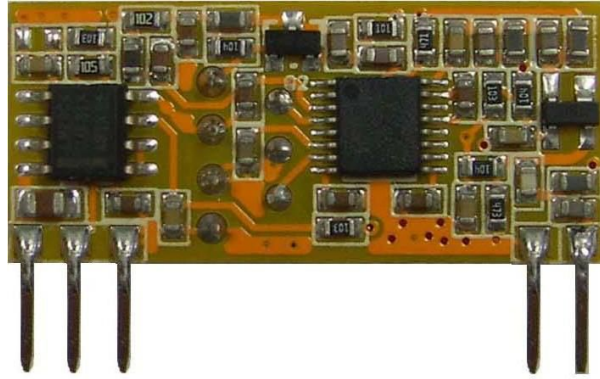


Type: ASK/OOK Super-Heterodyne Receiver Module
Model: CY11-XXX

1. DESCRIPTION:

CY11 is a high quality super-heterodyne receiver module with VHF/UHF. The module is designed based upon markets' feedback and a lot of customers' advice. It has shocked in the electronic products market. The module adopting LSI circuit with high frequency



and low noise which is imported from famous company of Europe. It has strong anti-static protection, high reliability and competitive price. Its widely used in remote GDO(garage door opener), auto-gates as retract type, brakes, GSM/GPS system, factory automatic, communication and security system etc.

2. FEATURES:

- Frequency: 315M/433.92MHz (custom frequency is available)
- Compact hybrid modules
- Single conversion superhet
- 10.7 MHz high rejection IF filter
- Receiving range up to 600 meters.
- CMOS/TTL compatible output.
- Supply voltage 4.5-5.5V.
- Higher receiver sensitivity down to -114dBm.
- LO is determined by the SAW.
- Excellent ability of noise immunity against interfering source
- A high degree of suppress assemble or scatter radiation
- Can easy pass kinds of certification
- Temperature Range: -40-85°C

3. APPLICATION:

- Garage door and gate openers
- Remote controls
- Remote fan and light control
- Smart home system

- Alarm and security system

4. PIN DEFINITION:

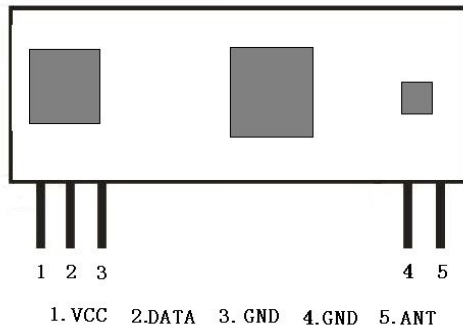


Figure1 CY11 Shape & Pins

Pin Name	Pin Definition
ANT	Antenna In
GND	Connect to negative power supply
GND	Connect to negative power supply
DATA	Data Output
VCC	Connect to positive power supply

Note1: ANT pin is a 50 ohm antenna input. The length is about:

23cm for 315MHz

17cm for 433.92MHz

5. ELECTRICAL CHARACTERISTICS:

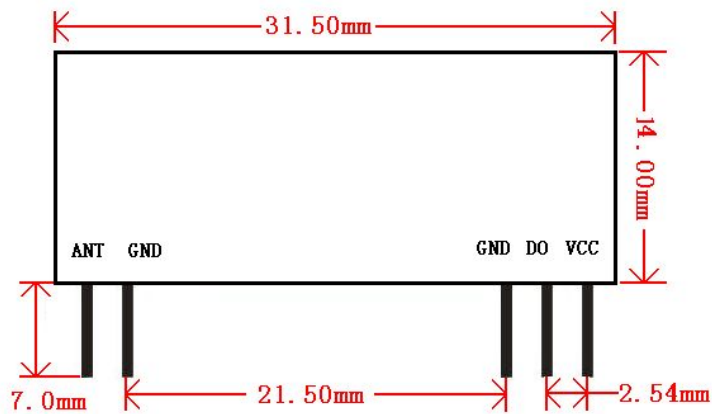
Condition: Ta=25°C Vcc=5.0V Frequency=315MHz

Parameter	Specification			Unit	Condition
	Min	Typ	Max		
Frequency Range	314.90	315.00	315.10	MHz	Other freq. available
Receiver Sensitivity		-114		dBm	
Data Rate	0.58		4.8	Kbps	Manchester code
Supply Voltage, VDD	4.5	5.0	5.5	V	DC
Current			12	mA	DC
Operating Temperature	-40		+85	°C	

Condition: Ta=25°C Vcc=5.0V Frequency=433.92MHz

Parameter	Specification			Unit	Condition
	Min	Typ	Max		
Frequency Range	433.82	433.92	434.02	MHz	Other freq available
Receiver Sensitivity		-114		dBm	
Data Rate	0.58		4.8	Kbps	Manchester code
Supply Voltage, VDD	4.5	5.0	5.5	V	DC
Current			12	mA	DC
Operating Temperature	-40		+85	°C	

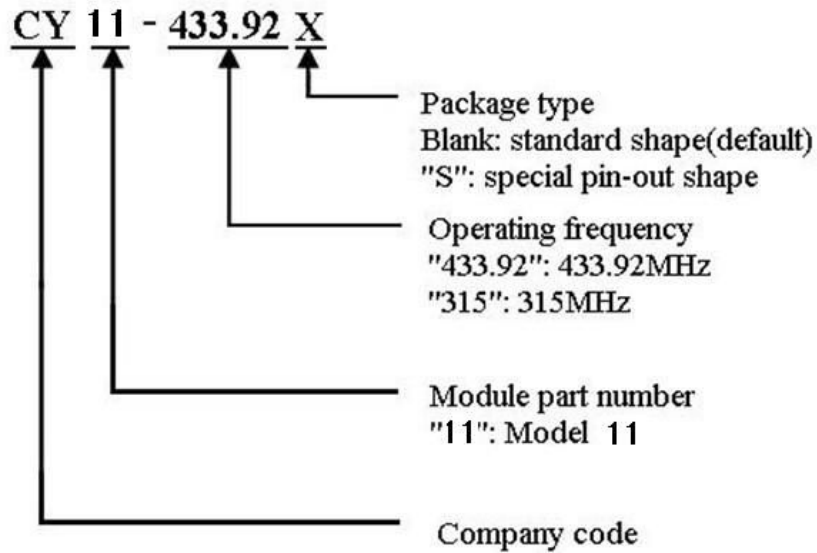
6.MECHANICAL SIZE: (UNIT: mm)



front view

Figure2 CY11 Dimension

7. ORDER INFORMATION:



For more information and assistance, please contact us as follows:

CY WIRELESS TECHNOLOGY LIMITED

Add: 1407, Block C, Tairan Building, 8th Tairan Road, Futian District,

Shenzhen, Guangdong Province, China

Website: www.rficy.com

Email: info@rficy.com