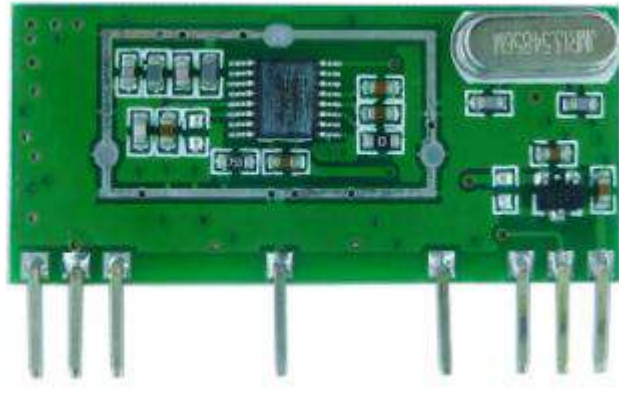


**Type: ASK/OOK Superhet Receiver Module**

**Model: CY58-XXX**

### 1. DESCRIPTION:

The CY58 is a ASK/OOK superhet receiver based on Xtal, which is designed with high sensitivity, long distance, easy use for designing, it can be able to fulfill most demands of European market specially.



### 2. FEATURES:

- Frequency: 315M/433.92M/868.35/915 MHz (custom frequency is available)
- High sensitivity up to -110 dBm
- Supply voltage: VCC= 3.3 to 5.5 V;
- IF band: 230KHz;
- Low power consumption:  
[4.8mA@315M](#), [6mA@433.92M](#)  
[9mA@868.35M](#), 9mA @915M;
- Wide operating temperature: -40 ~ 85°C
- Excellent selectivity and noise rejection;
- Easy for to use for all wireless applications;
- Analog RSSI Output(only for V2.0) ;
- SIL(single in line) small package;

### 3. APPLICATION:

- Garage door and gate openers
- Remote controls
- Remote fan and light control
- Smart home system
- Alarm and security system

#### 4. PIN DEFINITION:

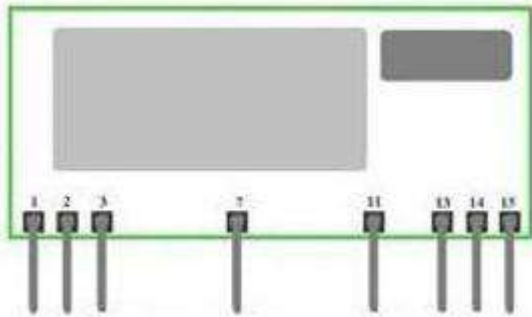


Figure1 CY58 Shape & Pins

Pin	Pin Name	Pin Definition
1	N.C.	Not Connected.
2-7	GND	Ground.
3	Antenna	Antenna input, impedance 50 ohm.
11	N.C.	Not Connected.
13	RSSI Out – Test point	RSSI output proportional to the amplitude of the input signal.
14	Data Output	Data output from the receiver.
15	+Vs	Positive Voltage Supply.

**Note1:** ANT pin is a 50 ohm antenna input. The length is about:  
 23cm for 315MHz; 17cm or 433.92MHz; 8.6cm for 868.35MHz; 8.2cm for 915 MHz

#### 5. ELECTRICAL CHARACTERISTICS

Condition: Ta=25°C Vcc=5.0V Frequency=315MHz

Parameter	Specification			Unit	Condition
	Min	Typ.	Max		
Frequency range		315		MHz	Other freq. available
Receiver sensitivity		-110		dBm	BER=10E-2
Data rata	0.58	2.4	12	Kbps	Manchester code
Supply voltage, VDD	3.3		5.5	V	DC
Current		4.8		mA	
Operation temperature	-40		+85	°C	

Condition: Ta=25°C Vcc=5.0V Frequency=433.92MHz

Parameter	Specification			Unit	Condition
	Min	Typ.	Max		
Frequency range		433.92		MHz	Other freq. available
Receiver sensitivity		-110		dBm	BER=10E-2
Data rata	0.58	2.4	12	Kbps	Manchester code
Supply voltage, VDD	3.3		5.5	V	DC
Current		6		mA	DC
Operation temperature	-40		+85	°C	

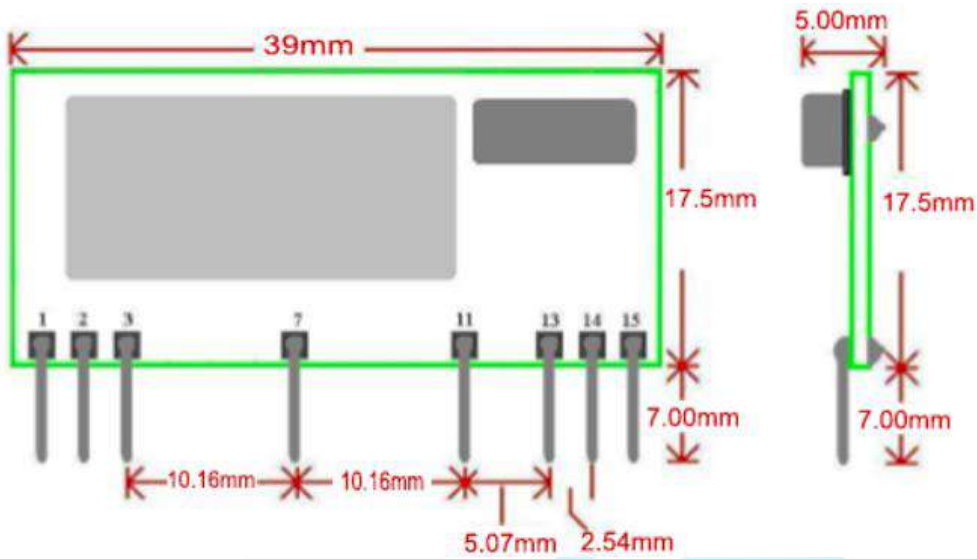
Condition: Ta=25°C Vcc=5.0V Frequency=868.35MHz

Parameter	Specification			Unit	Condition
	Min	Typ.	Max		
Frequency range		868.35		MHz	Other freq. available
Receiver sensitivity		-108	-109	dBm	BER=10E-2
Data rata	0.58		9.6	Kbps	Manchester code
Supply voltage, VDD	3.3	5.0	5.5	V	DC
Current		9		mA	DC
Operation temperature	-40		+85	°C	

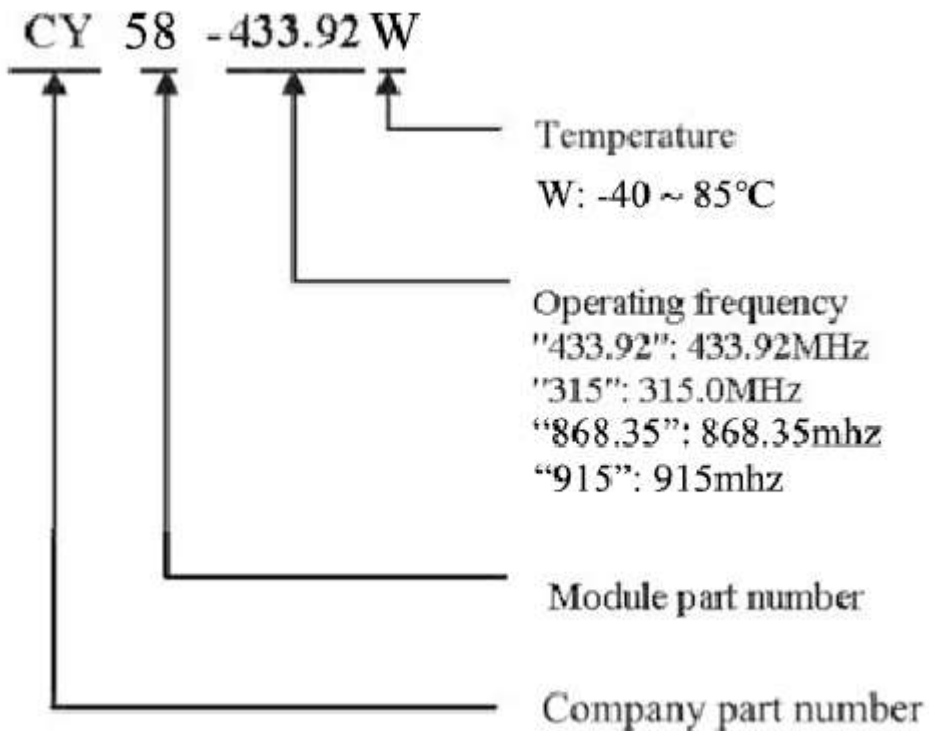
Condition: Ta=25°C Vcc=5.0V Frequency=915MHz

Parameter	Specification			Unit	Condition
	Min	Typ.	Max		
Frequency range		915		MHz	Other freq. available
Receiver sensitivity		-108	-109	dBm	BER=10E-2
Data rata	0.58		9.6	Kbps	Manchester code
Supply voltage, VDD	3.3	5.0	5.5	V	DC
Current		9		mA	DC
Operation temperature	-40		+85	°C	

**6. MECHANICAL SIZE: (UNIT: mm)**



**7. ORDER INFORMATION:**



For more information and assistance, please contact us as follows:

CY WIRELESS TECHNOLOGY LIMITED

Add: 1407, Block C, Tairan Building, 8th Tairan Road, Futian District,

Shenzhen, Guangdong Province, China

Website: [www.rficy.com](http://www.rficy.com)

Email: [info@rficy.com](mailto:info@rficy.com)