


SMD Tuning Fork Crystal Resonators / kHz Band Crystal Resonators

DST410S



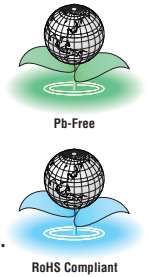
Actual size 

■ Features

- 4115 size miniature and lightweight SMD tuning fork crystal resonator with a low profile of 0.75mm.
- A ceramic package providing high precision and reliability.

■ Applications

- Mobile communications, PDA, wave clock, digital appliance.

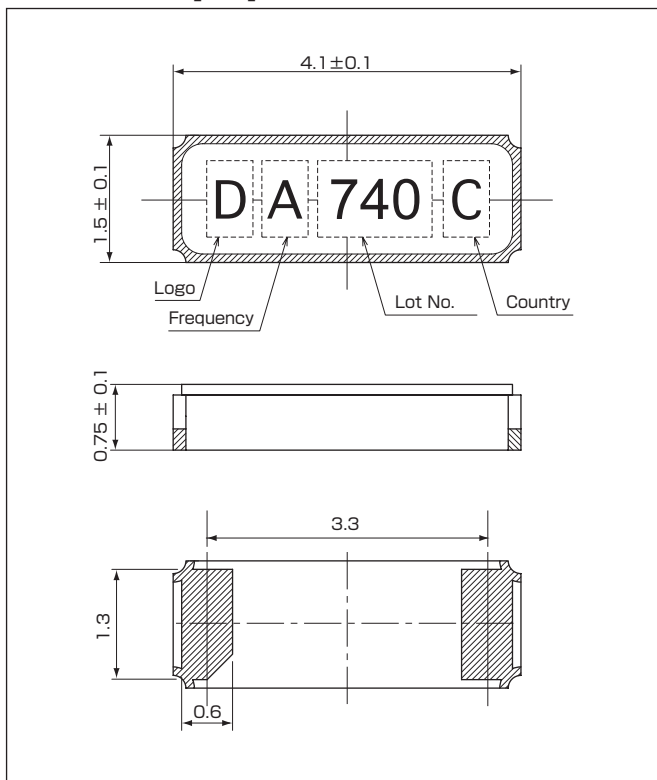


■ Standard Specification

Item	Type	DST410S
Frequency Range		32.768kHz
Load Capacitance		9pF, 12.5pF
Drive Level		0.2μW (1.0μW max.)
Frequency Tolerance		$\pm 20 \times 10^{-6}$, $\pm 30 \times 10^{-6}$, $\pm 50 \times 10^{-6}$, $\pm 100 \times 10^{-6}$ (at 25°C)
Series Resistance		80kΩmax.
Turnover Temperature		+25°C ±5°C
Two Dimensional Temperature Constant		$-0.04 \times 10^{-6} / ^\circ\text{C}^2$ max.
Operating Temperature Range		-40°C ~ +85°C
Storage Temperature Range		-40°C ~ +85°C
Shunt Capacitance		1.3pF Typ.
Packing Unit		3000pcs./reel (φ180)

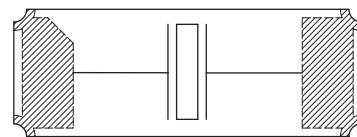
Consult our sales representative for other specifications.

■ Dimensions [mm]



■ Internal Connections

<Top View>



■ Recommended Land Pattern [mm]

<Top View>

