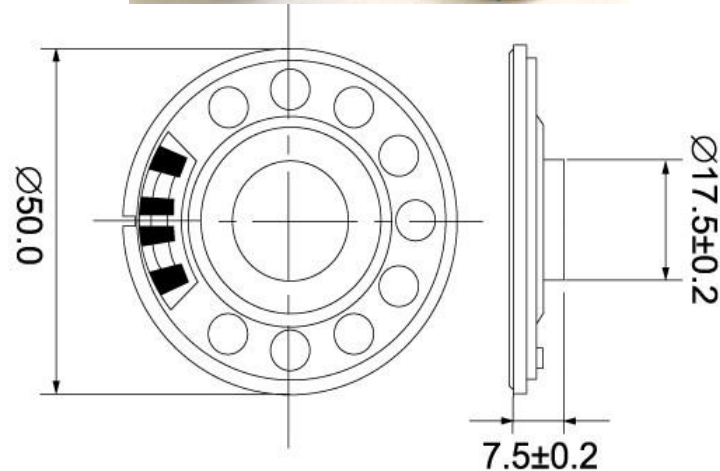
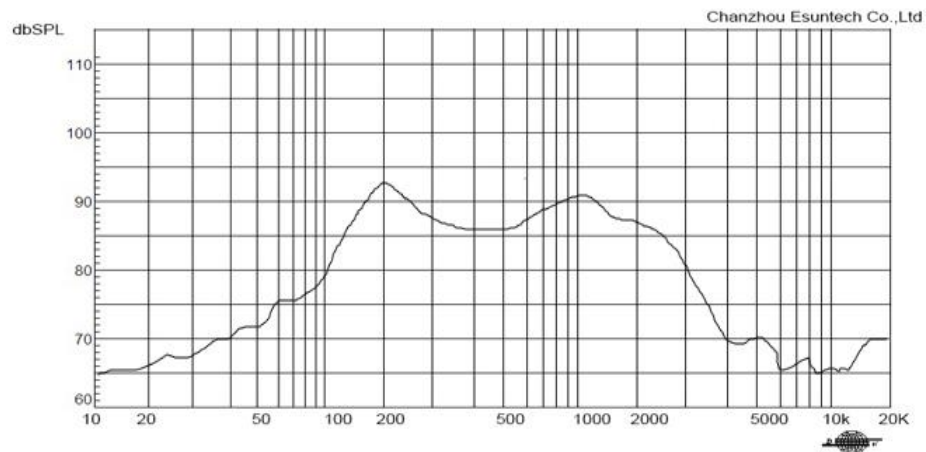


SPECIFICATION		
1	Model No.	EST50N-C-50R0.5W
2	Cone Material:	Mylar
3	Edge:	Paper
4	Nominal Power:	0.5w
5	Maximum Power:	1.0w
6	Impedance:	50±15%Ω
7	Voice coil:	
8	Fo:	200hz
9	Response:	Fo-5kHz
10	S.P.L:	88±3dB/W/M
11	Magnet Size:	


THIS DOCUMENT CONTAINS DATE
 PROPRIETARY TO PROJECTS CHANGZHOU ESUNTECH
 CO LTD. ANY USE OR REPRODUCTION, IN ANY FORM,
 WITHOUT PRIOR WRITTEN PERMISSION OF
 PROJECTS CHANGZHOU ESUNTECH CO LTD
 IS PROHIBITED.
 ©2003, Project Changzhou Esuntech Co Ltd

REVISION HISTORY			
LTR	DESCRIPTION	DATE	APPROVED
-	RELEASED FROM ENGINEERING	9/23/2003	Y M
A			
B			
C			



NOTES:

1. ALL DIMENSIONS ARE IN MILLIMETERS
2. SPECIFICATIONS SUBJECT TO CHANGE WITHOUT NOTICE
3. WATERPROOF

UNLESS OTHERWISE SPECIFIED. DIMENSIONS ARE IN MILLIMETERS TOLERANCES ARE +/-0.5 AND ANGLES ARE +/-3°	SIZE	Designed by	Date	Checked by	Date	Approved by	Date	Drawed date
	A4					EST50N-C-50R0.5W		
	EST50N-C-50R0.5W					MYLAR SPEAKER	Edition	Sheet

<http://www.esuntech.com.cn>