

Customer Name	Standard Specification	FUJITSU MEDIA DEVICES LIMITED	
System	EGSM-Rx (50/150ohm)	DATE	Apr. 2, 2004
FMD Part Number	FAR-F5EB-942M50-B28E	Version 2.0f	

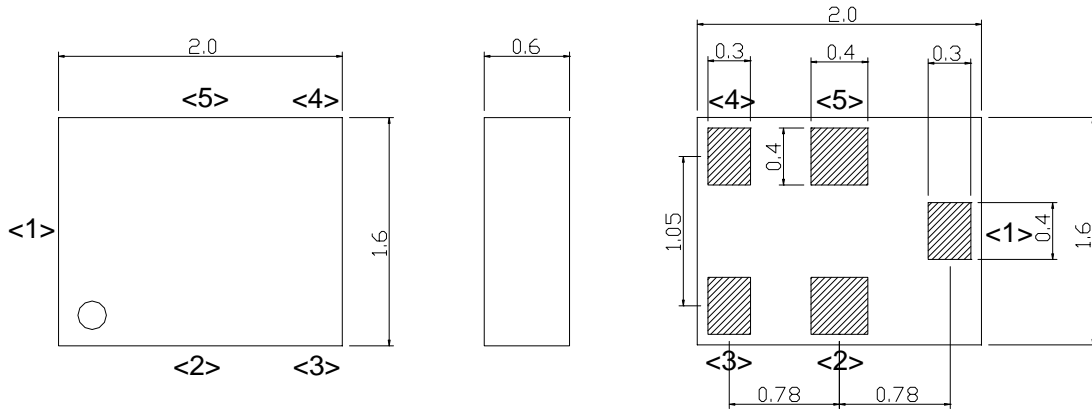
Table 1 Electrical Specification

Passband : 925 ~ 960 MHz						
Item	Condition (MHz)	Specification			Unit	Remark
		Min.	Typ.	Max.		
Insertion Loss	925 ~ 960	-	1.7	2.5	dB	
Ripple	925 ~ 960	-	0.6	1.5	dB	
Absolute attenuation	DC ~ 880	40	68	-	dB	
	880 ~ 905	30	44	-	dB	
	905 ~ 915	18	27	-	dB	
	980 ~ 1025	25	31	-	dB	
	1025 ~ 2880	40	51	-	dB	
	2880 ~ 6000	30	53	-	dB	
VSWR(Input)	925 ~ 960	-	1.9	2.3	-	
VSWR(Output)	925 ~ 960	-	1.8	2.3	-	
Amplitude Balance (S ₂₁ /S ₃₁)	925 ~ 960	-1.0	-0.1/+0.4	+1.0	dB	
Phase Balance (∠S ₂₁ -∠S ₃₁ +180)	925 ~ 960	-10	-2/+2	+10	deg	
Input Impedance	Unbalanced	50			ohm	
Output Impedance	Balanced	150//82nH			ohm	
Input Power	925 ~ 960			+15	dBm	
Operating temperature		-30 ~ +85			°C	
Device size		2.0typ. x 1.6typ. x 0.6max.			mm	

Customer Name	Standard Specification	FUJITSU MEDIA DEVICES LIMITED	
System	EGSM-Rx (50/150ohm)	DATE	Apr. 2, 2004
FMD Part Number	FAR-F5EB-942M50-B28E	Version 2.0f	

Dimensions

Device size: 2.0typ. x 1.6typ. x 0.6max



Unit :mm

Fig.1

Pin Configuration

Table 2

Pin No.	Pin name	Description
1	IN	Unbalanced pin
2	GND	Ground
3	OUT	Balanced pin
4	OUT	Balanced pin
5	GND	Ground

Evaluation Circuit

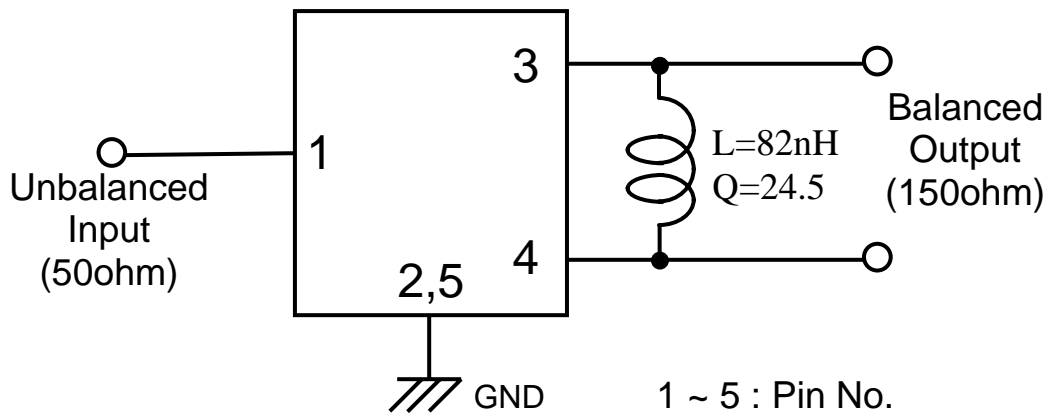
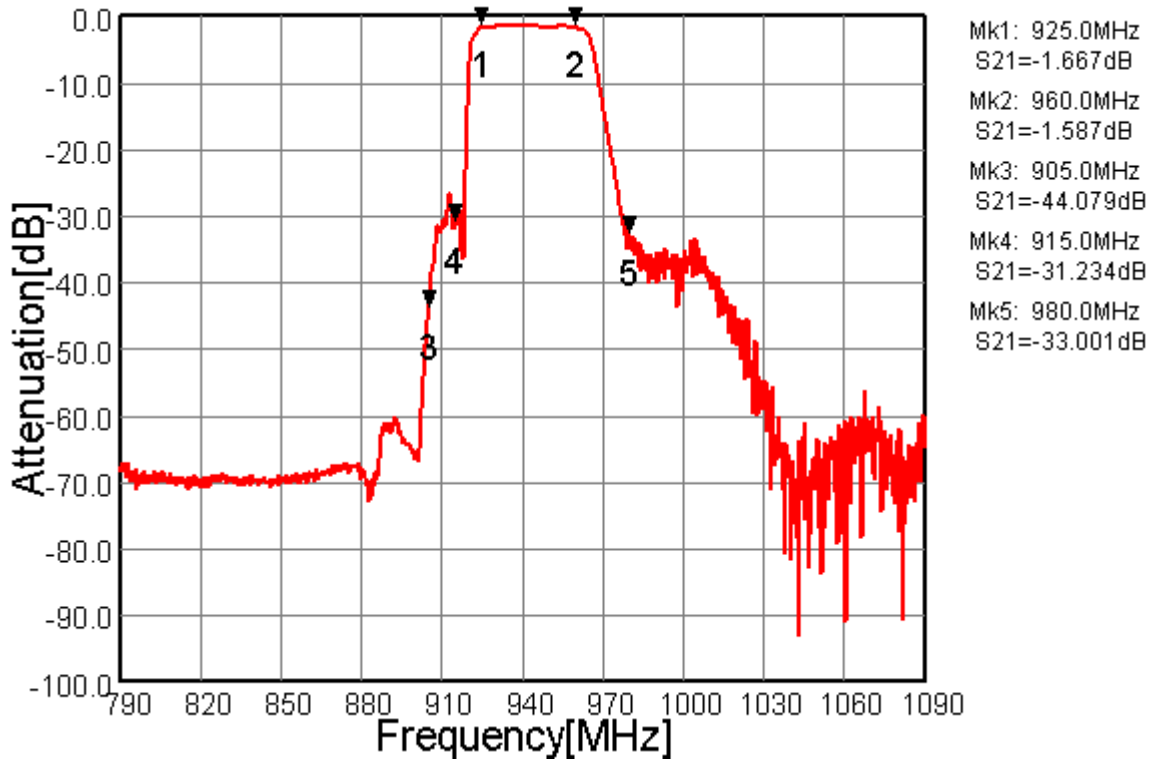
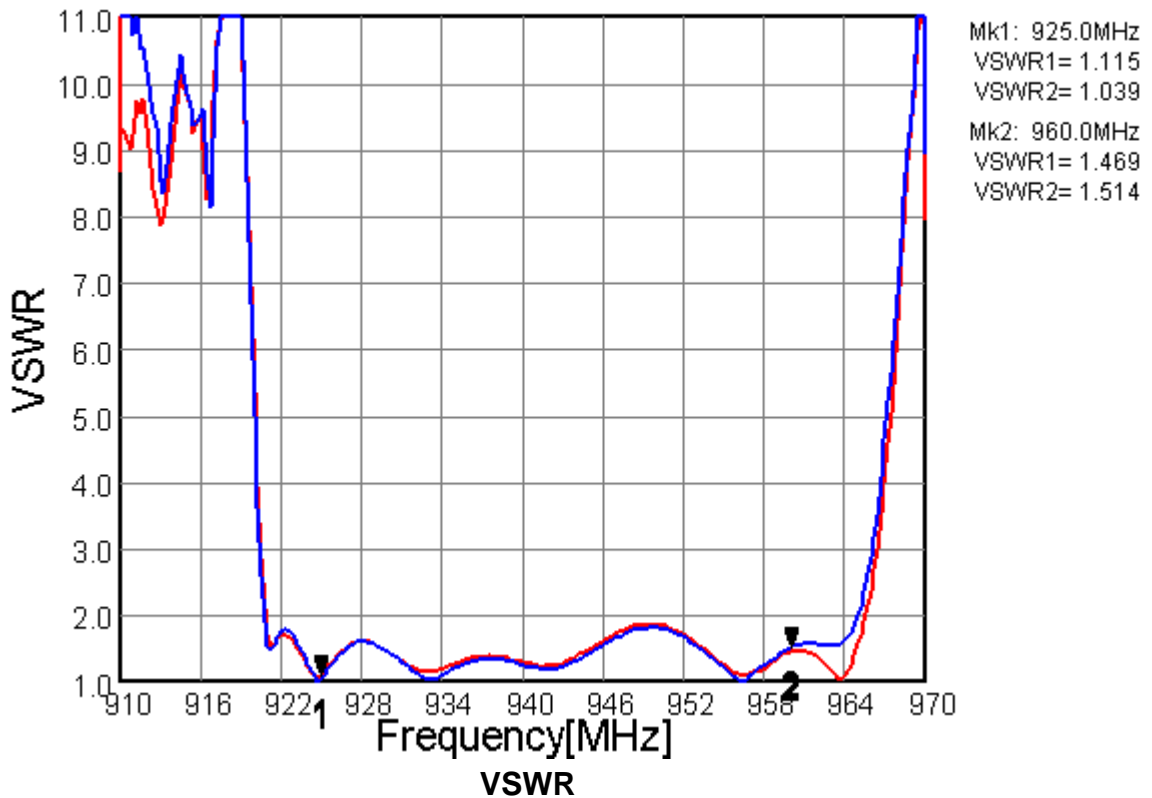


Fig.2 Evaluation circuit

Customer Name	Standard Specification	FUJITSU MEDIA DEVICES LIMITED	
System	EGSM-Rx (50/150ohm)	DATE	Apr. 2, 2004
FMD Part Number	FAR-F5EB-942M50-B28E	Version 2.0f	

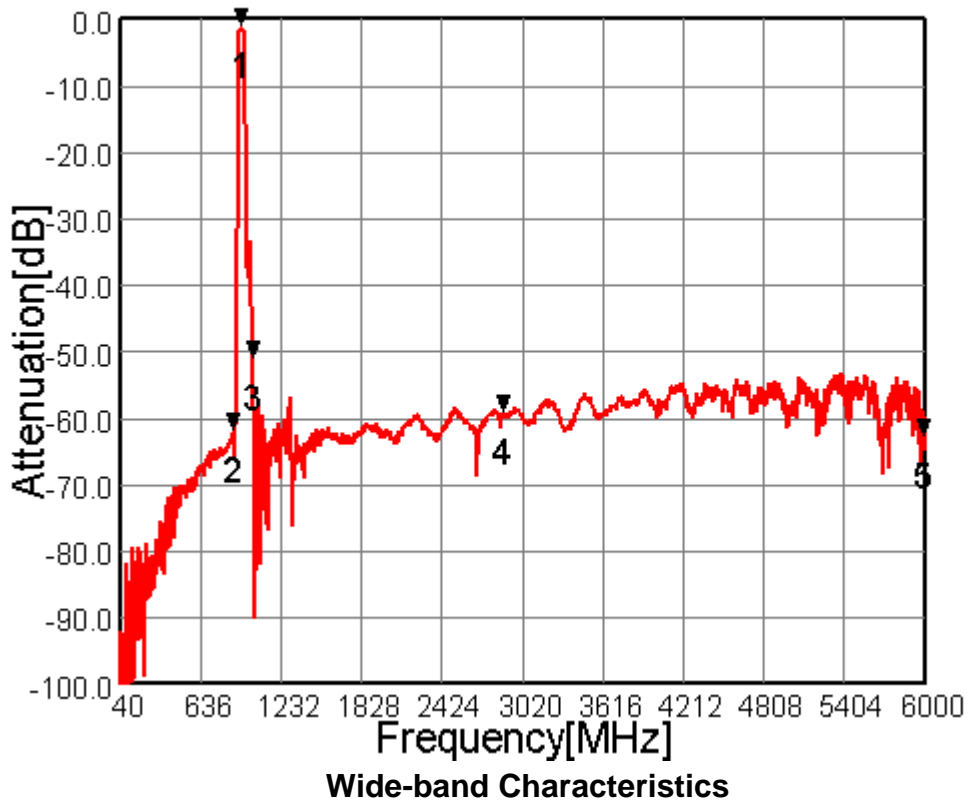
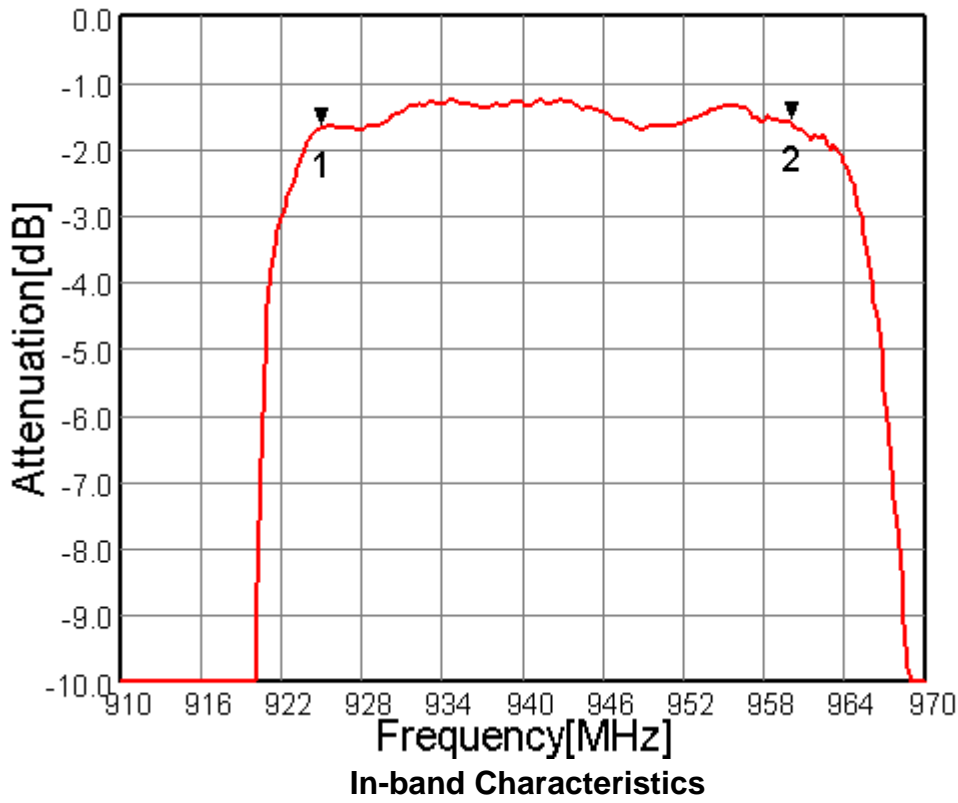


Pass-band Characteristics

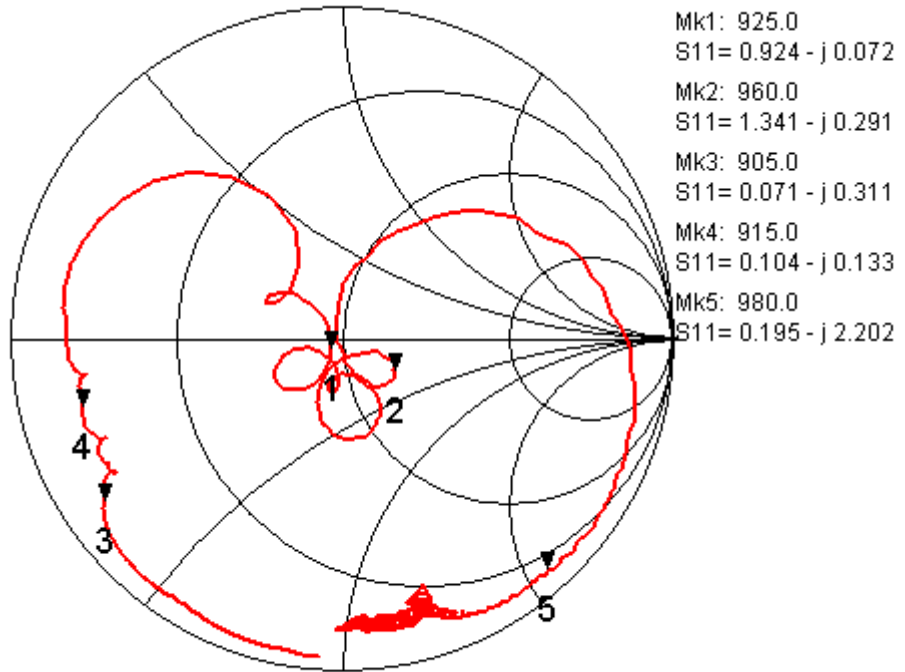


VSWR

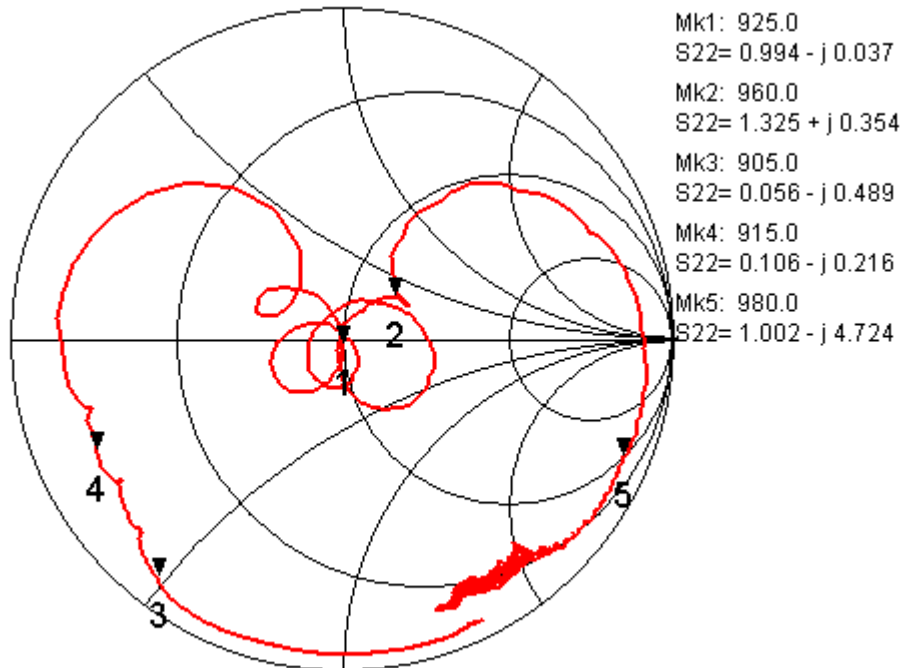
Customer Name	Standard Specification	FUJITSU MEDIA DEVICES LIMITED	
System	EGSM-Rx (50/150ohm)	DATE	Apr. 2, 2004
FMD Part Number	FAR-F5EB-942M50-B28E	Version 2.0f	



Customer Name	Standard Specification	FUJITSU MEDIA DEVICES LIMITED	
System	EGSM-Rx (50/150ohm)	DATE	Apr. 2, 2004
FMD Part Number	FAR-F5EB-942M50-B28E	Version 2.0f	



Impedance S11(Unbalanced)



Impedance S22(Balanced)

Customer Name	Standard Specification	FUJITSU MEDIA DEVICES LIMITED	
System	EGSM-Rx (50/150ohm)	DATE	Apr. 2, 2004
FMD Part Number	FAR-F5EB-942M50-B28E	Version 2.0f	

