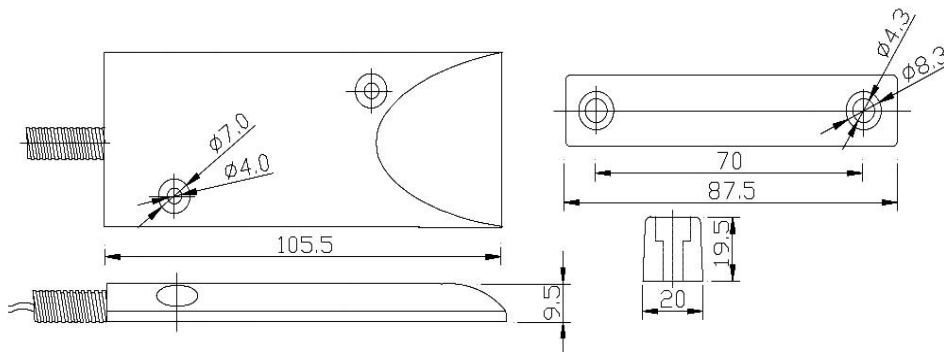


FBMC011 SPECIFICATION

文件编号:	版本/版次:	料号:
-------	--------	-----

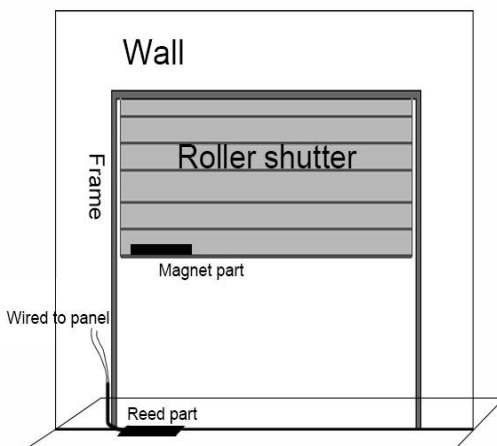
1.0 Parameter

Approved : CCC / CE / FCC / RoHS
 Contact type : NC——Switch ON when magnet nearby
 (NO / COM are available)
 Operating gap : $\geq 50\text{mm}$ (Undisturbed test)
 Max. switching voltage : 100V DC/AC
 Max. switching current : 0.5A
 operating load : 10W
 Working temperature : $-20\sim 80^{\circ}\text{C}$
 Working life : >100000 times
 Connection type : 480mm armoured cable
 Material : ZINC Alloy
 Color : Silver
 Packaging : 1 set/bag , 100 sets/ctn
 G.W. : 25KGS
 Dimension (mm) :



2.0 Installation drawing

Roller shutter mounted



3.0 Introduction

Magnetic contact is widely used for alarm system(panel) to detect state of door. It consist of a reed switch part and a magnet part . When door closed, reed switch is effected by magnet and turn ON; when door open, reed switch is effected by magnet and turn OFF, trigger alarm.

4.0 Installation instruction

Surface/Roller shutter mounted should be fixed with screw or double faced tape.
 Flush mounted should be fixed in the hole between the door and door frame.
 Magnet part install on the edge of door, reed part install on the edge of door frame as close to magnet part as possible .
 Wired reed part to alarm system (panel).

5.0 Warning

Do not knock reed part when mounting.
 Magnetic contact is used for doors/windows alarm only, please contact us for technical parameters confirming if used as a equipment switch.