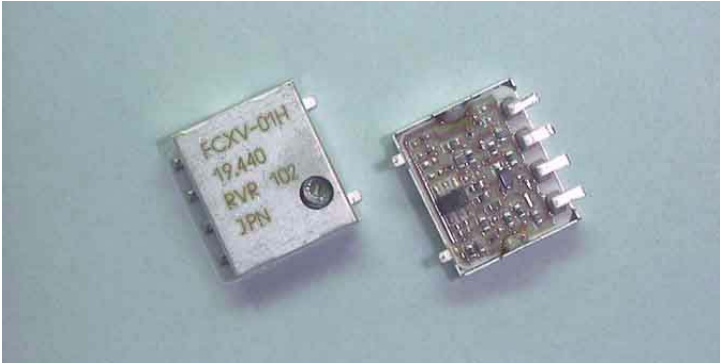


VOLTAGE-CONTROLLED CRYSTAL OSCILLATOR FCXV-01H



Features

- Compact design (11.4mmx9.6mmx4.0mm Max.).
- SMD makes re-flow soldering possible.
- Tape feeding is suitable for automatic mounting
- Power supply voltage 3.3V is also available.

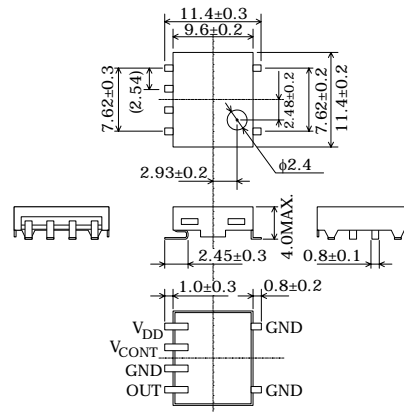
Main Specifications

Parameters	Specifications	
Frequency Range	10MHz ~ 160MHz	
Storage Temp. Range	-40 ~ +85°C	
Operatin Temp. Range	-10 ~ +60°C, -20 ~ +70°C	
Frequency Stability	±20ppm, ±30ppm, ±50ppm (At 25±5°C)	
Supply Voltage (Vdd)	5V±10%	3.3V±10%
Control Voltage	2.5V±2V	1.65V±1V
Current Consumption	50mA MAX.	20mA MAX.
Frequency Pulling	±50ppm MIN.	±30ppm MIN.
Fanout	10TTL	5TTL
Duty Ratio	40% ~ 60%, 45% ~ 55% (50% Typ.)	
Output Wave	CMOS, TTL, Clipped sine wave	

- ❖ Please consult us for customized specifications.
- ❖ All specifications and markings subjected to change without notice.

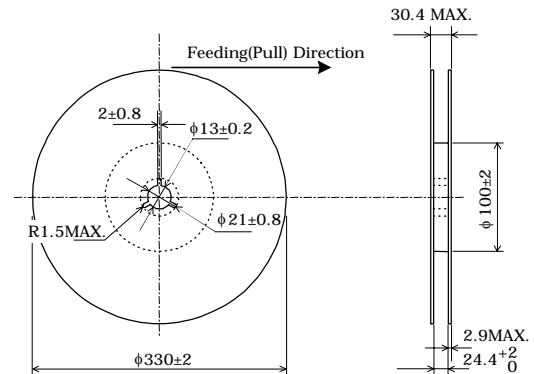
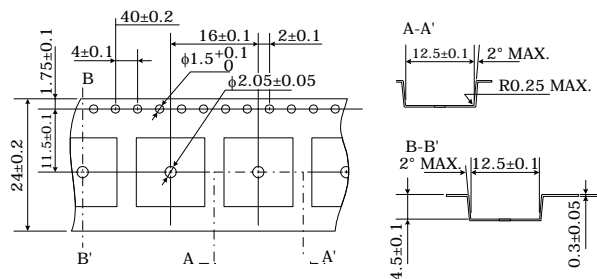
Dimensions

Dimensions: mm



Embossed carrier tape

Dimensions: mm



RIVER

RIVER ELETEC CORPORATION

ASA TECH CORP.

Phone 886-2-2286-2488 FAX 886-2-2286-2498

E-Mail:sales@AsaTechCorp.net