

# SPECIFICATION

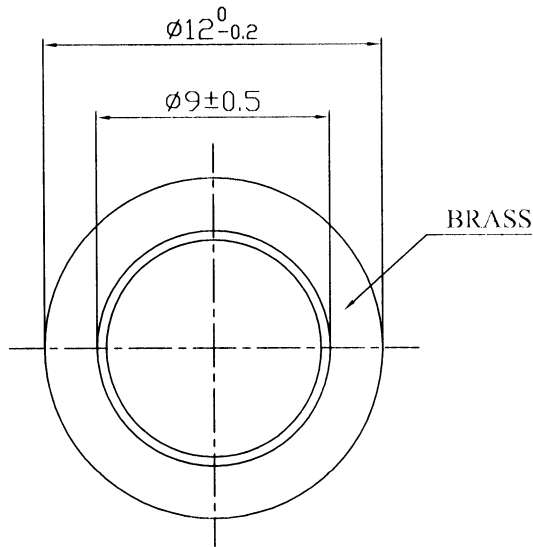
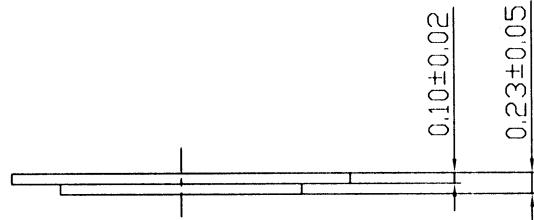
## 1. SCOPE

This specification is applied to the piezo-element.

## 2. SPECIFICATION

(at 25°C)

2.1 Resonant Frequency	:	8.6 ± 1.0 KHz
2.2 Resonant Resistance	:	550 Ω max
2.3 Capacitance	:	10000 pF ± 30% at 100Hz
2.4 Input Voltage	:	30 Vp-p max
2.5 Operating Temperature	:	-20~+60°C
2.6 Storage Temperature	:	-20~+70°C
3. DIMENSION	:	as per figure



TOLERANCES UNLESS NOTED OTHERWISE .X ± .XX ± .XXX ± 90° FORMED +2° ANGLES -1°  FIRST ANGLE PROJECTION 	DRAWN	<i>庄逸</i>	KEPO MODEL NO.	CUSTOMER													
	DESIGN		FT-12T-9.2A1	CUSTOMER NO.													
	CHECKED																
	APPROVED	<i>庄逸</i>	DWG NO.	<table border="1" style="width: 100%; border-collapse: collapse;"> <tr> <td style="width: 5%;">VER</td> <td style="width: 10%;">1.0</td> <td style="width: 10%;">SCALE</td> <td colspan="2"></td> </tr> <tr> <td>UNIT</td> <td>mm</td> <td>SHEET</td> <td colspan="2"></td> </tr> </table>				VER	1.0	SCALE			UNIT	mm	SHEET		
	VER	1.0	SCALE														
	UNIT	mm	SHEET														
	DATE	08.04.18	KP3.840.769.06	<b>KEPO CO., LTD.</b> TEL: (+86)574-88370330 FAX: (+86)574-88370329													
CONTRACT NO.																	
AGENCY APPROVAL																	