

SPECIFICATION

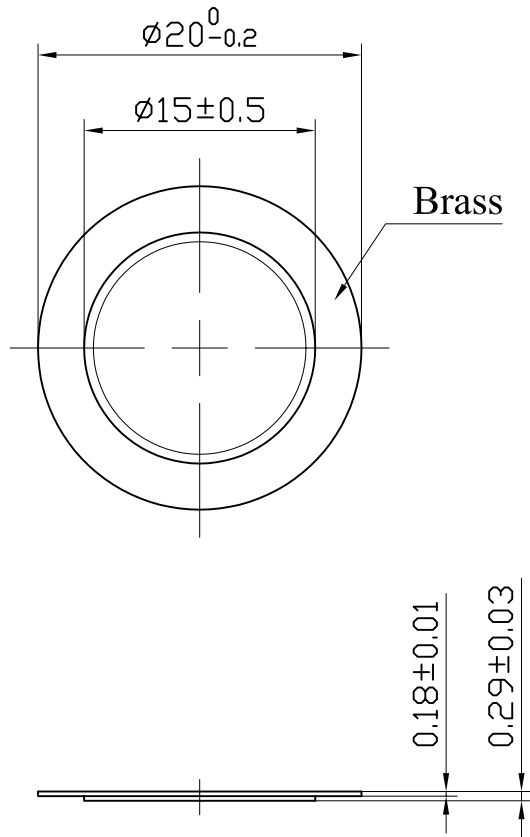
1. SCOPE

This specification is applied to the piezo-element.

2. SPECIFICATION

(at 25°C)

- | | | |
|---------------------------|---|--------------------------|
| 2.1 Resonant Frequency | : | 4.3 ± 0.5 KHz |
| 2.2 Resonant Resistance | : | 250 Ω max |
| 2.3 Capacitance | : | 30000 pF ± 30% at 100 Hz |
| 2.4 Input Voltage | : | 30 Vp-p max |
| 2.5 Operating Temperature | : | -20 ~ +80 °C |
| 2.6 Storage Temperature | : | -30 ~ +90 °C |
| 3. DIMENSION | : | as per figure |



瓷片胶合采用耐高温胶水

TOLERANCES UNLESS NOTED OTHERWISE .X ± .XX ± .XXX ± 90° FORMED +2° ANGLES -1° FIRST ANGLE PROJECTION 	DRAWN		KEPO MODEL NO.	CUSTOMER				
	DESIGN		MFT-20T-4.3A1	CUSTOMER NO.				
	CHECKED							
	APPROVED		DWG NO.		VER	1.2	SCALE	
	DATE	07.07.23	KP3.841.763					
	CONTRACT NO.		KEPO CO., LTD.		TEL: (+86)574-88370330 FAX: (+86)574-88370329			
	AGENCY APPROVAL							

1

2

3

4