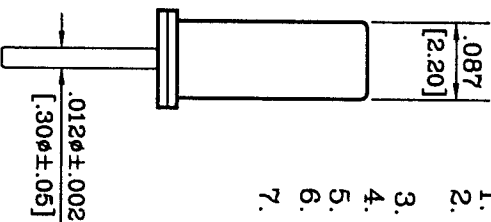
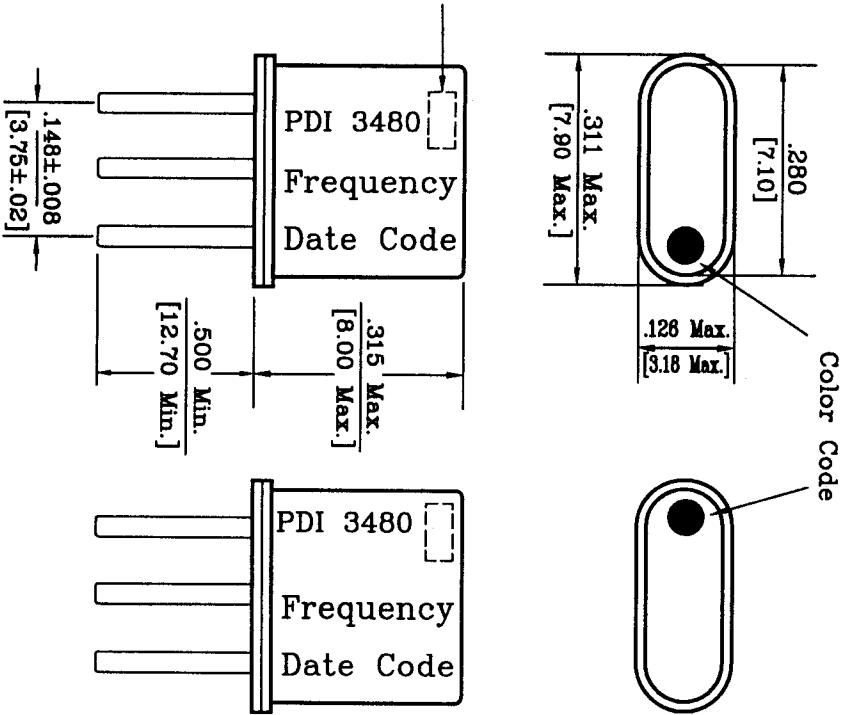


Traceability Marking Code



DATE	SM	REVISION RECORD	AUTH.	DR.	CK

- ELECTRICAL SPECIFICATIONS:
- Center Frequency (F₀): 21.40000 Mhz
 - Passband @3.0dB: ±7.5Khz Min.
@40.0dB: ±25.0Khz Max.
 - Operating Temperature Range: -20°C to +70°C
 - Terminating Impedance: 1.6K Ohms//1.0pf
 - Ripple: 1.0dB Max.
 - Insertion Loss: 2.0dB Max.
 - Package: (2) UM-1 Resistance Weld Crystals

TOLERANCES (EXCEPT AS NOTED)		PRECISION DEVICES INC.	
DECIMAL	Tolerance Decimal: ±.008 Metric: ±[.20]		
FRACTIONAL		TITLE Final Assembly	
ANGULAR		DATE 2/15/01	DRAWING NUMBER 3480
			APPROVED BY <i>SP</i>