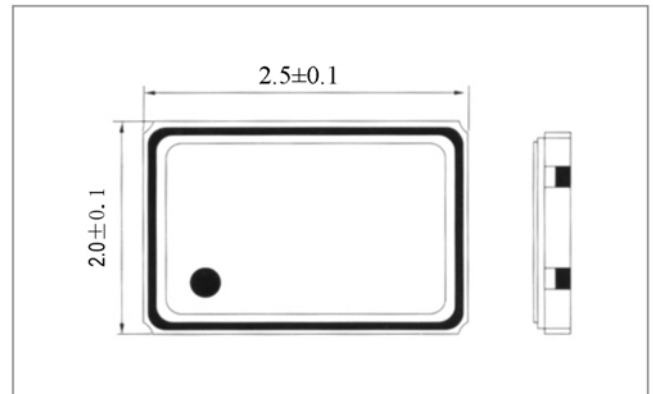
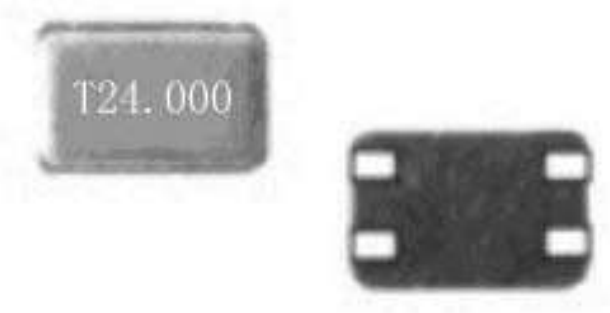
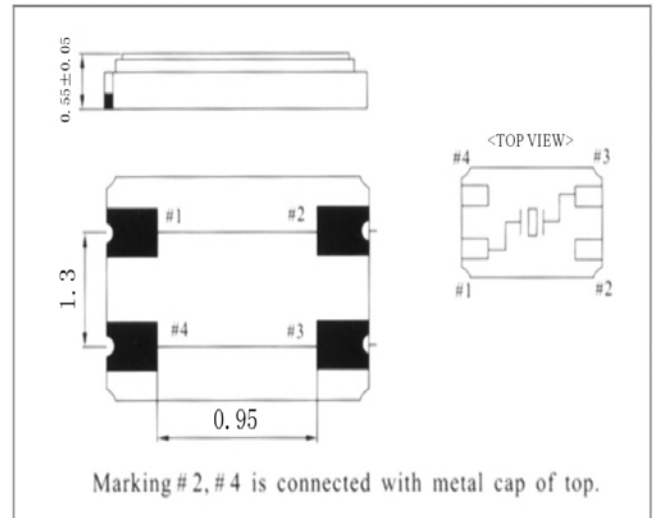
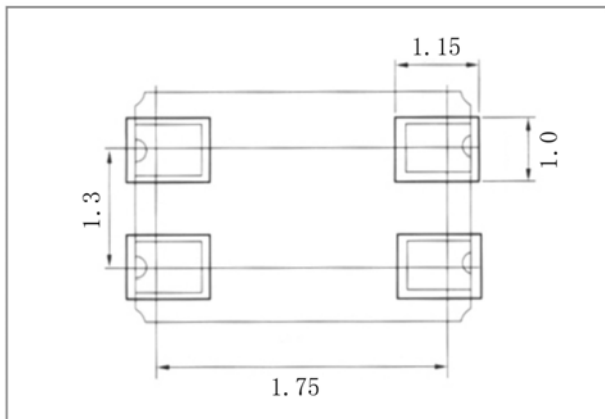


QUARTZ CRYSTAL RESONATOR
石英晶体谐振器
FTX221S TYPE
★ DIMENSIONS (Unit: mm) 外形尺寸

★ LAND PATTERN LAYOUT (EXAMPLE)

★ PART NUMBER GUIDE 部件号示例 e.g. FTX26.000M9SM2S (*SM2S=2.5×2.0 SMD S-SEAM TYPE)

	Quartz Crystal Resonator 石英晶体谐振器	Frequency 频率	Load Capacitance 负载电容	Package 盒型
FT	X	26.000MHz	9	SM2S

★ PARAMETERS 技术参数

PARAMETERS	参数	SPECIFICATION 规格
Frequency Range	频率范围	16MHz / 24MHz / 26MHz Std. 16~54MHz
Operation Mode	振动模式	Fundamental
Loading Capacitance	负载电容	9pF Std. 8 to 32pF Series available
Drive Level	激励电平	10 μ W (300 μ W Max)
Frequency Tolerance	频率偏差	±10ppm~±50ppm (at 25°C)
Equivalent Resistance	谐振电阻	150 Ω Max (Different by nominal frequency)
Frequency Stability	频率稳定性	±10ppm, ±15ppm, ±20ppm
Operating Temp. Range:	工作温度范围	-10~+60°C
Storage Temp. Range:	储存温度范围	-40~+85°C

◎ All specification subject change without notice. 规格变化, 恕不另行通知。