

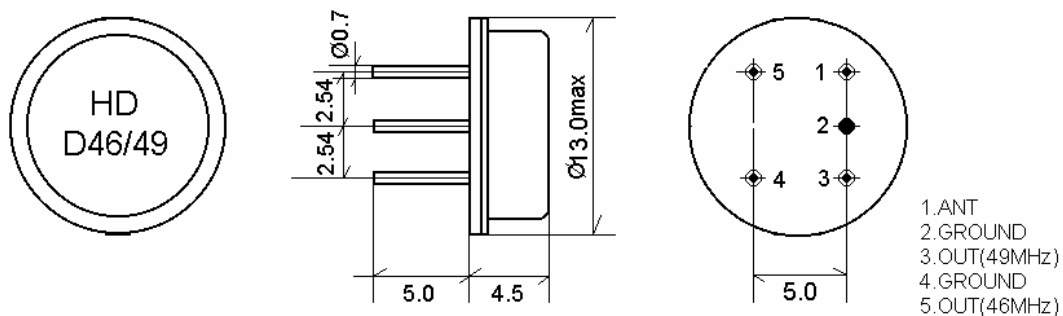
1.SCOPE

This specification shall cover the characteristics of SAW Duplexer used for the cordlessphone.

2.Construction

2.1 Dimension and materials

Type : D46/49



3.Characteristics

Standard atmospheric conditions

Unless otherwise specified , the standard rang of atmospheric conditions for making measurements and tests is as follows;

- Ambient temperature : 15 to 35
- Relative humidity : 25% to 85%
- Air pressure : 86kPa to 106kPa

Operating temperature rang

Operating temperature rang is the rang of ambient temperatures in which the filter can be operated continuously. -10 ~ +50

Storage temperature rang

Storage temperature rang is the rang of ambient temperatures at which the filter can be stored without damage.

Conditions are as specified elsewhere in these specifications. -40 ~ +70

Reference temperature +25

3.1 Maximum Rating

DC voltage	V_{DC}	0	V	
Source power	P_s	15	dBm	

3.2 Electrical Characteristics**Characteristics of channel 46:**Source impedance $Z_s=50$ Load impedance $Z_L=50$ $T_A=25$

Item	Freq	min	typ	max	
Nominal frequency	f_N	-	46.79	-	MHz
Insertion attenuation 46.61~46.97MHz			3.0	4.5	dB
attenuation	20.00~43.50MHz	30.0	35.0		dB
	49.67~49.99MHz	40.0	47.0		dB
	49.99~80.00MHz	30.0	35.0		dB
Temperature coefficient		-72			ppm/k

Characteristics of channel 49:Source impedance $Z_s=50$ Load impedance $Z_L=50$ $T_A=25$

Item	Freq	min	typ	max	
Nominal frequency	f_N	-	49.83	-	MHz
Insertion attenuation 49.67~49.99MHz			3.0	4.5	dB
attenuation	20.00~46.61MHz	30.0	35.0		dB
	46.61~46.97MHz	40.0	47.0		dB
	53.50~80.00MHz	30.0	35.0		dB
Temperature coefficient		-72			ppm/k

Isolation between 46 and 49:Source impedance $Z_s=50$ Load impedance $Z_L=50$ $T_A=25$

Item	Freq	min	typ	max	
attenuation	46.61~46.97MHz	40.0	48.0		dB
	49.67~49.99MHz	38.0	44.0		dB

3.3 Environmental Performance Characteristics

Item Test condition	Allowable change of absolute Level at center frequency(dB)
High temperature test 70 16H ,	< 1.0
Low temperature test -25 2H	< 1.0

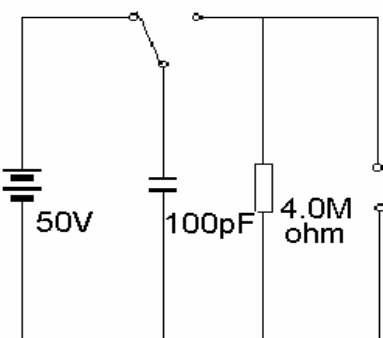
SHOULDER ELECTRONICS LIMITED

Humidity test 40 90-95% 100H	< 1.0
Thermal cycle -25 ==70 3cycle 30min. 5min. 30min.	< 1.0
Solder temperature test Sold temp.260 for 10 sec.	< 1.0
Soldering Immerse the pins melt solder At 260 +5/-0 for 5 sec.	More then 95% of total area of the pins should be covered with solder

3.4 Mechanical Test

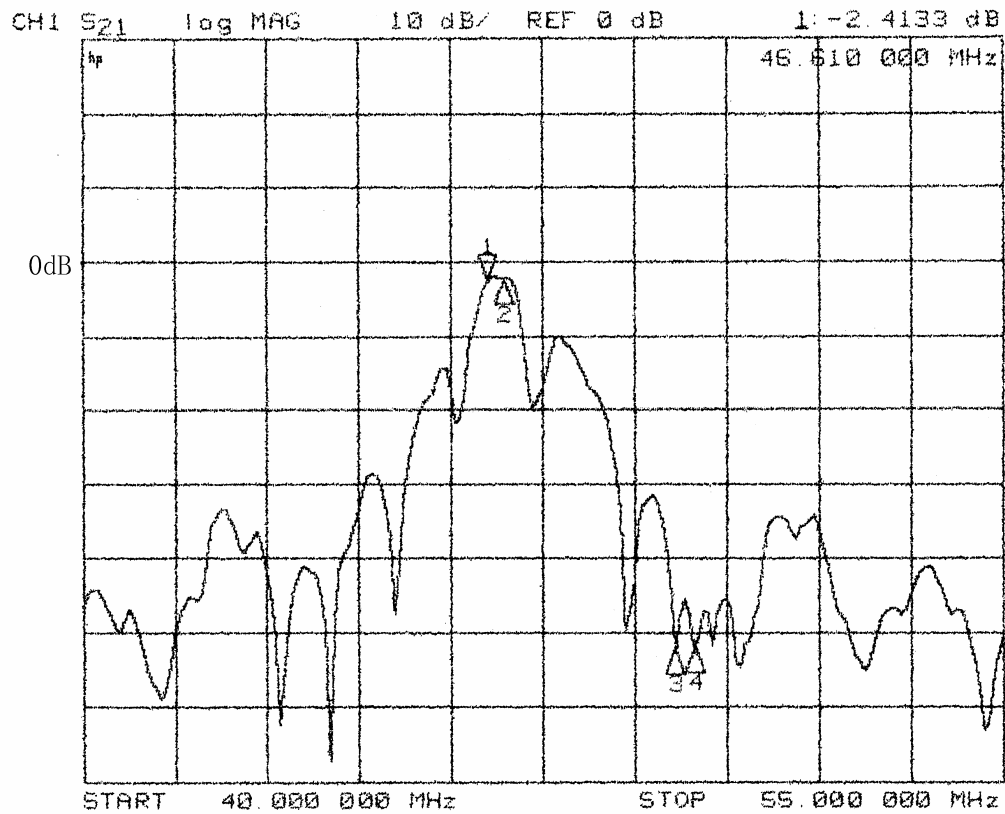
Item Test condition	Allowable change of absolute Level at center frequency(dB)
Vibration test Frequency 10~55Hz amplitude 1.5mm 3 directions 2 H each	<1.0
Drop test On maple plate frome 1 m high 3 times	<1.0
Lead pull test Pull with 1 kg force for 30 seconds	<1.0
Lead bend test 90° bending with 500g weigh 2 times	<1.0

3.5 Voltage Discharge Test

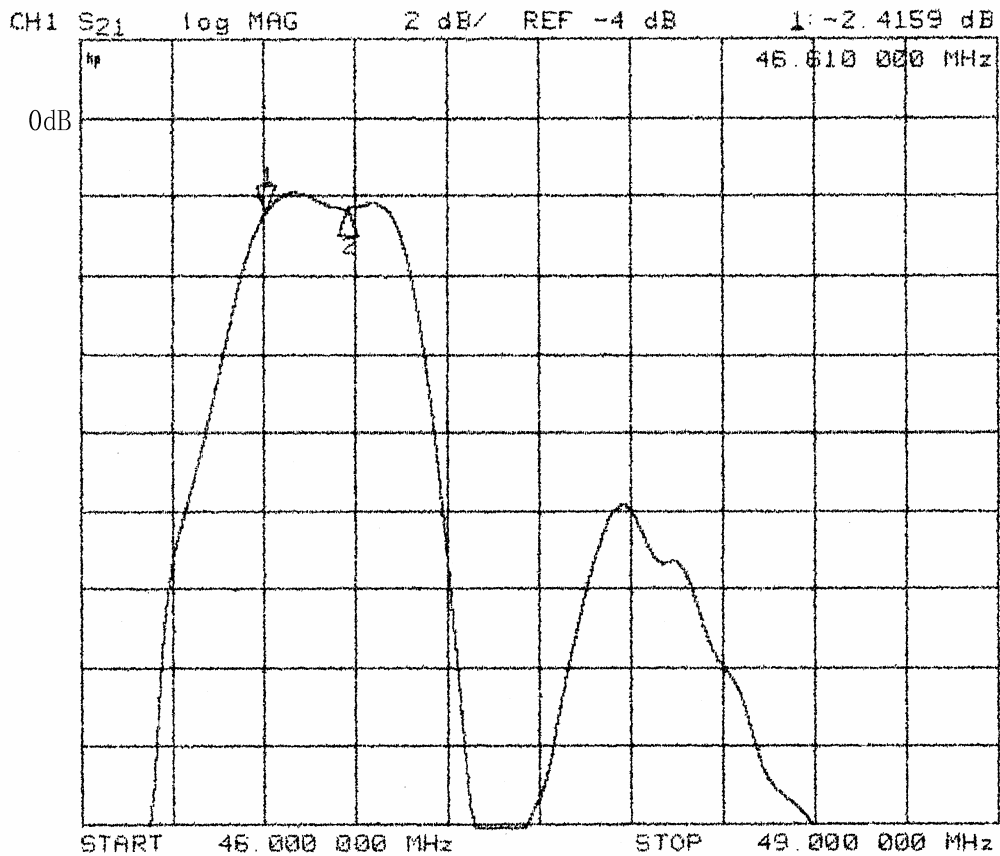
Item Test condition	Allowable change of absolute Level at center frequency(dB)
Surge test Between any two electrode 	<1.0

3.6 Frequency response

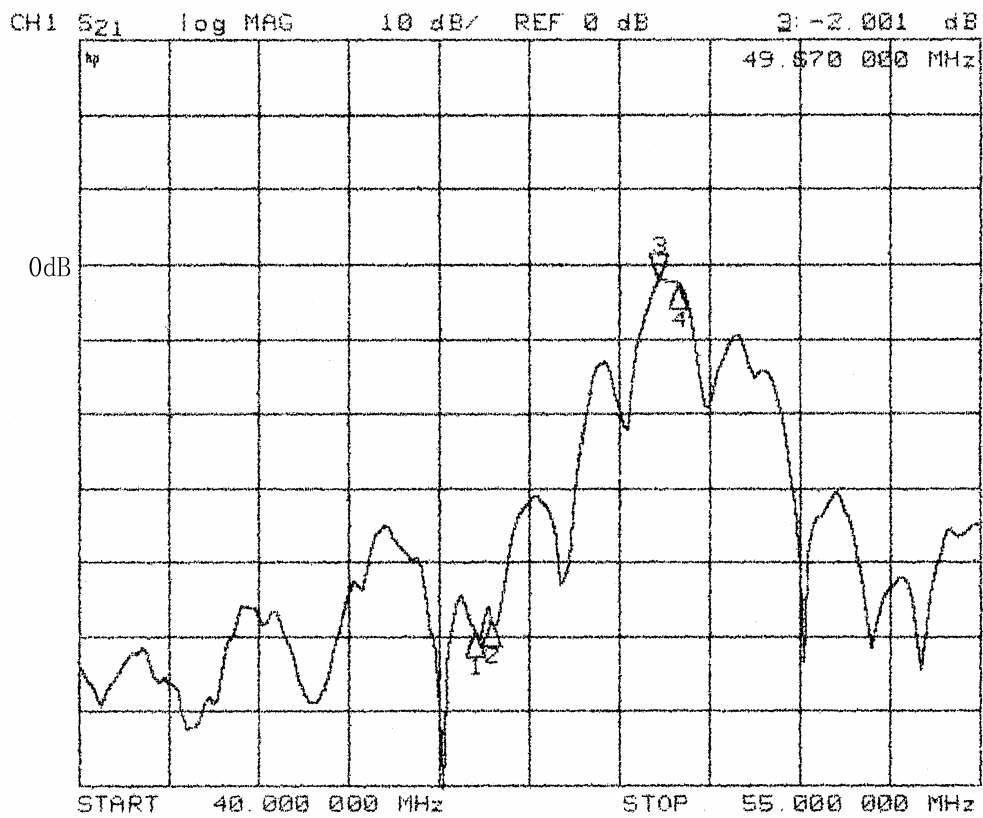
Transfer function channel 46:



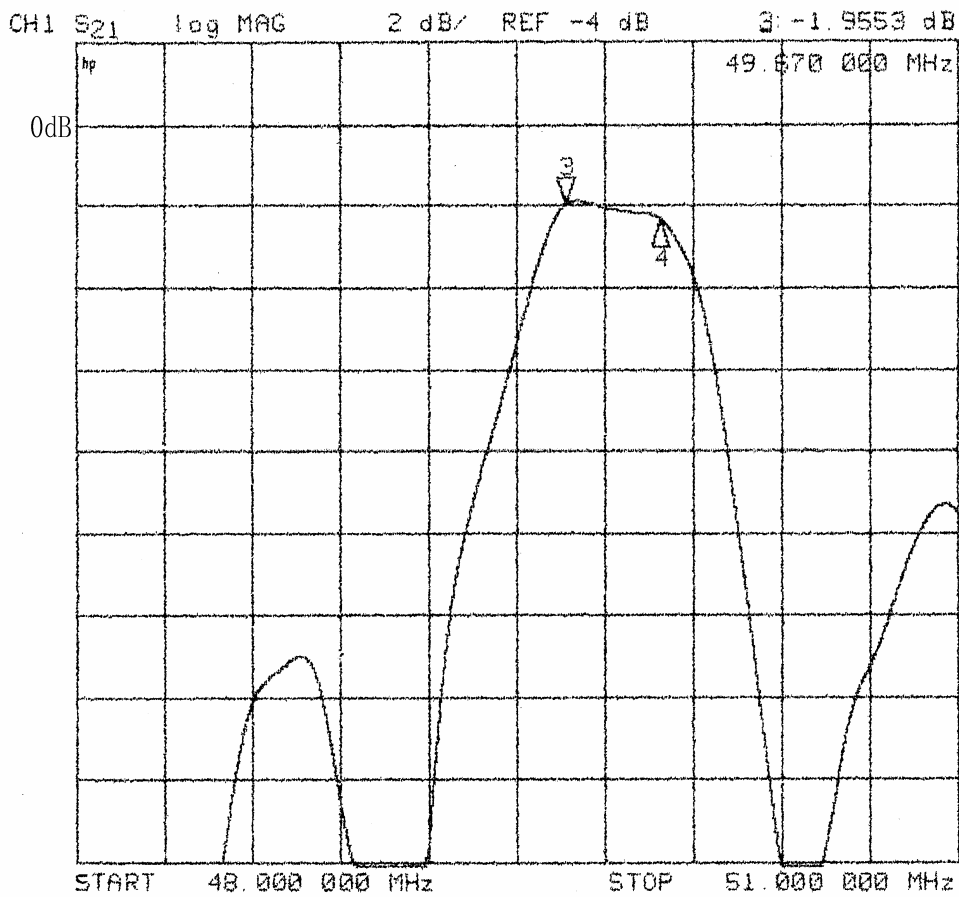
Transfer function channel 46(pass band):



Transfer function channel 49:



Transfer function channel 49(pass band):



Isolation between 46 and 49:

