

规格书编号

SPEC NO :

产品规格书

SPECIFICATION

CUSTOMER 客户: _____

PRODUCT 产品: _____ SAW FILTER _____

MODEL NO 型号: _____ HDF806C SMD-4 _____

MARKING 印字: _____ HDF4809 _____

PREPARED 编制: _____ CHECKED 审核: _____

APPROVED 批准: _____ D A T E 日期: _____ 2006-5-11 _____

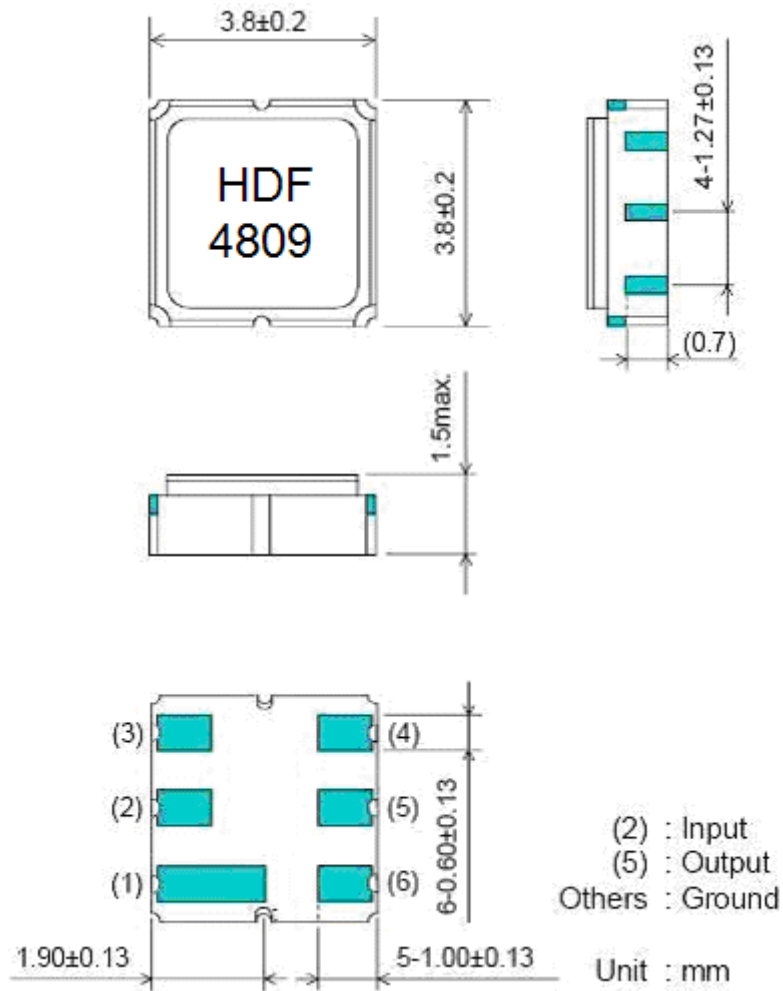
客户确认 CUSTOMER RECEIVED:		
审核 CHECKED	批准 APPROVED	日期 DATE

无锡市好达电子有限公司
Shoulder Electronics Limited

更改历史记录 History Record

更改日期 Date	规格书编号 Spec. No.	产品型号 Part No.	客户产品型号 Customer No.	更改内容描述 Modify Content	备注 Remark

1. Package Dimension



2. Marking: HDF4809

- HD: Brand
- F : Filter
- 4 : SMD-4
- 809 : No.

3.Performance

3.1 Application

Low-Loss SAW Filter of cordless system.

Center Frequency:806MHz

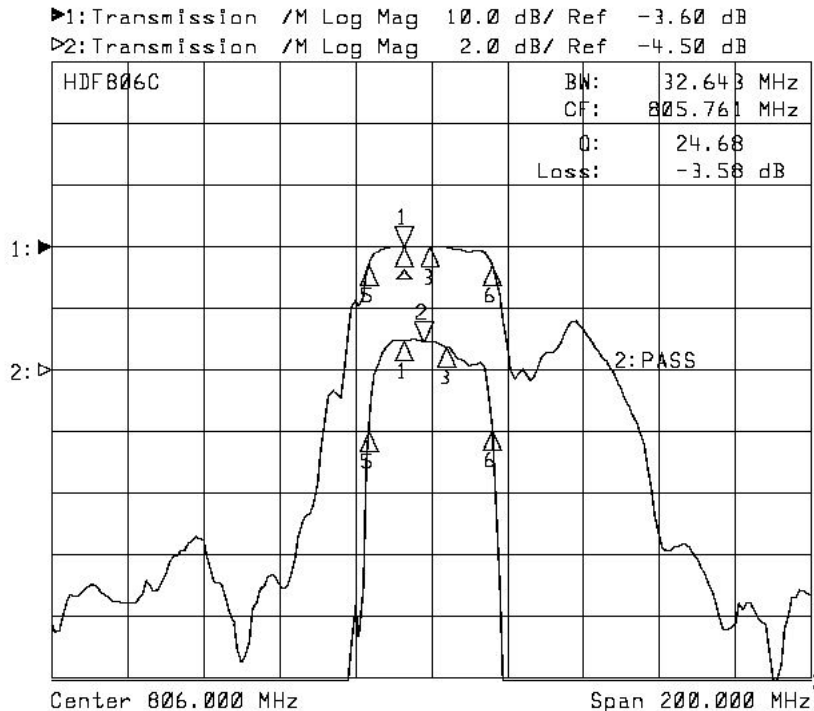
3.2 Maximum Rating

Operation Temperature Range	-40°C to +85°C
Storage Temperature Range	-45°C to +85°C
DC. Voltage	10 V DC. max.
Maximum Input Power	10 dBm

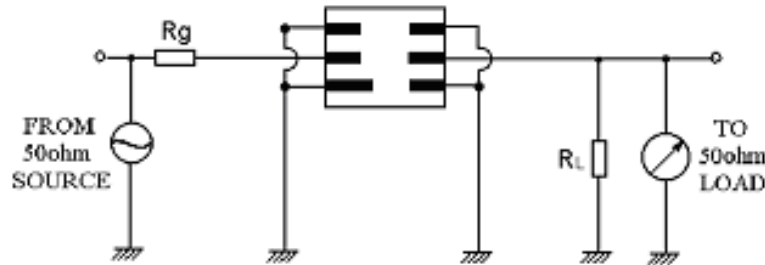
3.3 Electronic Characteristics

Item	Specification
Center Frequency(fo)	806 MHz
Insertion Loss(dB)	
1.)806.0MHz	4.5 dB max
2.)600~Fo-38.0 MHz	50 dB min
3.)Fo+30~Fo+60 MHz	20 dB min
4.)Fo+60~fFo+150 MHz	50 dB min
Passband width(-3dB)	± 11.0 MHz min
Ripple deviation (Fo ± 6MHz)(dB)	2.0 max
Input/output Impedance(Nominal)	50 Ω

3.4 Frequency Characteristics



3.5 Test Circuit



4. ENVIRONMENTAL CHARACTERISTICS

4-1 High temperature exposure

Subject the device to +85°C for 16 hours. Then release the filter into the room conditions for 24 hours prior to the measurement. It shall fulfill the specifications in 3.3.

4-2 Low temperature exposure

Subject the device to -40°C for 16 hours. Then release the device into the room conditions for 24 hours prior to the measurement. It shall fulfill the specifications in 3.3.

4-3 Temperature cycling

Subject the device to a low temperature of -40°C for 30 minutes. Following by a high temperature of +85°C for 30 Minutes. Then release the device into the room conditions for 24 hours prior to the measurement. It shall meet the specifications in 3.3.

4-4 Resistance to solder heat

Dip the device terminals no closer than 1.5mm into the solder bath at 260°C ±10°C for 10±1 sec. Then release the device into the room conditions for 4 hours. The device shall meet the specifications in 3.3.

4-5 Solderability

Subject the device terminals into the solder bath at 245°C ±5°C for 5s, More than 95% area of the terminals must be covered with new solder. It shall meet the specifications in 3.3.

4-6 Mechanical shock

Drop the device randomly onto the concrete floor from the height of 1m 3 times. the device shall fulfill the specifications in 3.3.

4-7 Vibration

Subject the device to the vibration for 1 hour each in x,y and z axes with the amplitude of 1.5 mm at 10 to 55 Hz. The device shall fulfill the specifications in 3.3.

5. REMARK

5.1 Static voltage

Static voltage between signal load & ground may cause deterioration & destruction of the component. Please avoid static voltage.

5.2 Ultrasonic cleaning

Ultrasonic vibration may cause deterioration & destruction of the component. Please avoid ultrasonic cleaning

5.3 Soldering

Only leads of component may be soldered . Please avoid soldering another part of component.

6. Packing

6.1 Dimensions

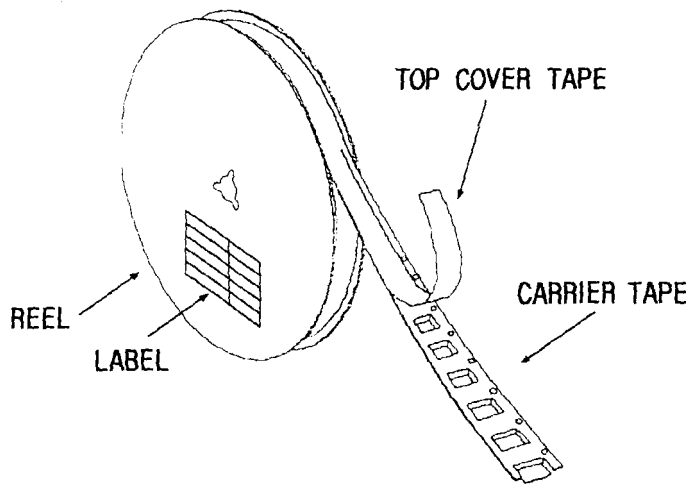
- (1) Carrier Tape: Figure 1
- (2) Reel: Figure 2
- (3) The product shall be packed properly not to be damaged during transportation and storage.

6.2 Reeling Quantity

- 1000 pcs/reel 7"
- 3000 pcs/reel 13"

6.3 Taping Structure

- (1) The tape shall be wound around the reel in the direction shown below.

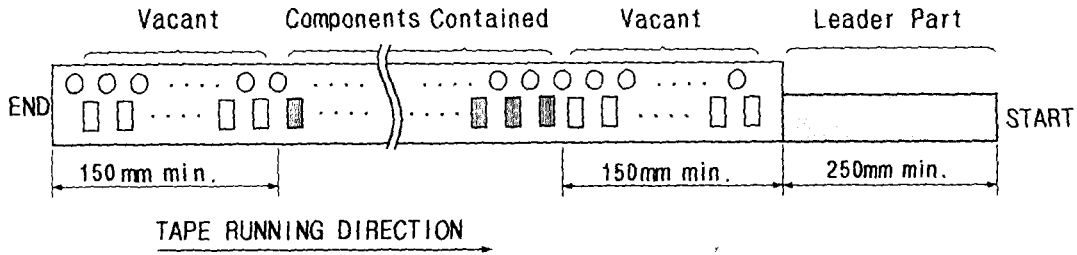


(2) Label

Device Name	
User Product Name	
Quantity	

Lot No.	
---------	--

(3) Leader part and vacant position specifications.

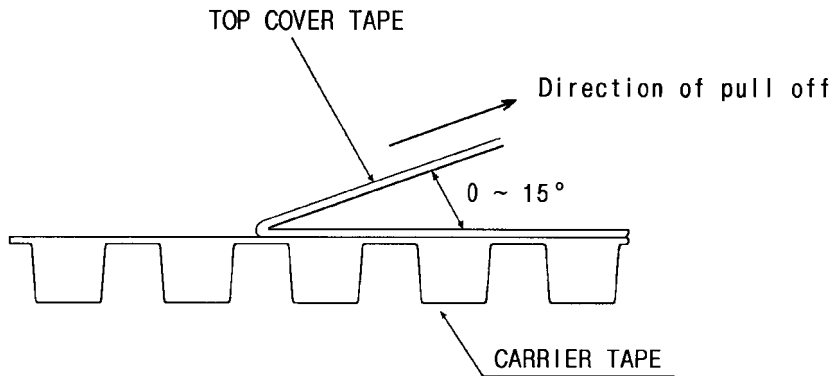


7. TAPE SPECIFICATIONS

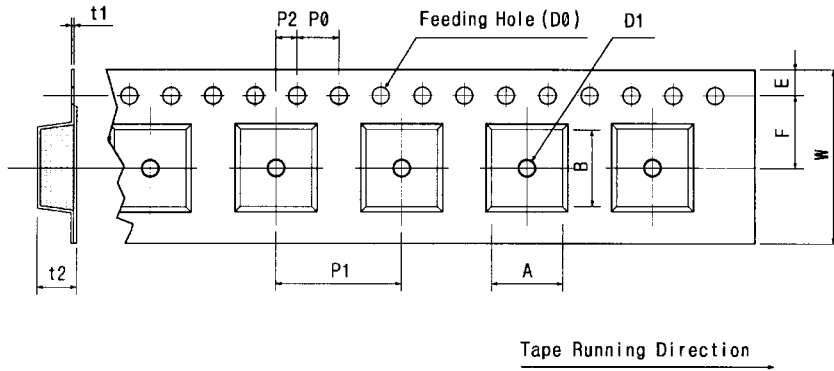
7.1 Tensile Strength of Carrier Tape: 4.4N/mm width

7.2 Top Cover Tape Adhesion (See the below figure)

- (1) pull off angle: 0~15°
- (2) speed: 300mm/min.
- (3) force: 20~70g



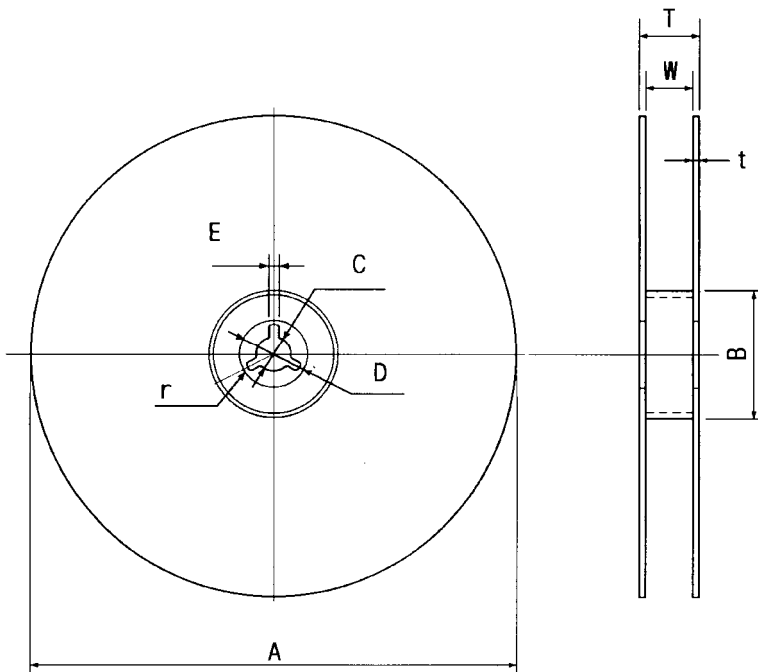
[Figure 1] Carrier Tape Dimensions



[Unit:mm]

W	F	E	P0	P1	P2	D0	D1	t1	t2	A	B
12.00	5.50	1.75	4.00	8.00	2.00	Ø1.50	Ø1.0	0.25	1.65	4.04	4.10
±0.30	±0.10	±0.10	±0.10	±0.10	±0.10		±0.25	±0.05	±0.10	±0.10	±0.10

[Figure 2]



[Unit:mm]

A	B	C	D	E	W	t	r
Ø330	Ø100	Ø13	Ø21	2	13	3	1.0
±1.0	±0.5	±0.5	±0.8	±0.5	±0.3	max.	max.