

Ultrasonic Transducer Specification

超 声 波 换 能 片

1.品名(Name): 压电陶瓷圆片(Piezo electric Disc)

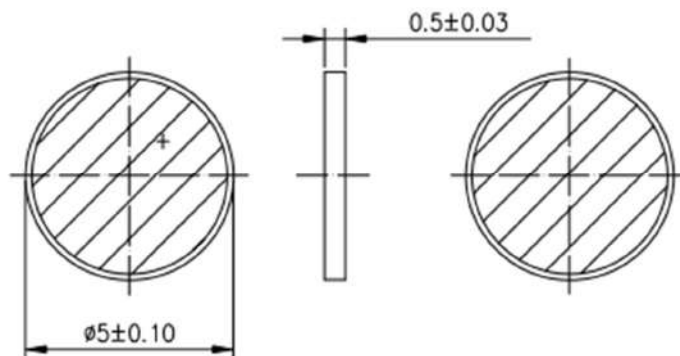
2.产品型号 (PN): JYY-φ5×0.5-P4

3.材料 (Ceramic Material): PZT-41

4.性能参数(Electrical specification):

| 项目 Item | 单位 Unit | 标 准 Standard | 测试条件(Test condition): T=22°C 极化后 10 天测试 |
|--|------------|-----------------|---|
| 径向谐振频率 (Fs) Radial resonant frequency (Fs) | KHz | 458±15 | 压电阻抗分析仪 impedance analyzers |
| 厚向谐振频率 (Ft) Thickness resonant frequency (Ft) | Mhz | 4.1±0.2 | 压电阻抗分析仪 impedance analyzers |
| 静电容量 (C0) Static capacitance (C0) | pF | 380±15% | 数字电桥 At 1000Hz/1V Digital Electric Bridge At 1000Hz/1V |
| 介质损耗 (tgδ) dielectrin loss (tgδ) | % | ≤0.3 | 数字电桥 At 1000Hz/1V Digital Electric Bridge At 1000Hz/1V |
| 机电耦合系数(Kp) Electrical-mechanical coupling coefficient(Kp) | | ≥0.52 | 压电阻抗分析仪 impedance analyzers |

5.外观尺寸(Appearance and dimensions):



Remark: This specification is subject to change without prior notice.

6.包装(Package):

| Qty/CTN | Carton Size(cm) | G.W. (Kg) | N.W. (Kg) |
|----------|-----------------|-----------|-----------|
| 36000pcs | 28*22*30cm | 3.88 | 2.68 |