

FEATURES

- HIGH RELIABILITY FOR LOW COST
- WIDE FREQUENCY RANGE
- EXCELLENT ATTENUATION BEHAVIOUR

SAW-FILTER FOR TV-IF

NO.	MODEL	fp/fs (MHz)	SYSTEM	PACKAGE
1	F1026S	38/31.5-32.5	D.G.I	TO-8
2	F1036C	38/31.5-32.5	(B)D.G.I	TO-8
3	F1036F	38/31.5-32	D.I	TO-8
4	F1036H	38/31.5-32.5	D.I.B.G	TO-8
5	F1036FH	38/31.5-32.5	D.I.B.G	SF-915
6	F1036V	38/31.5	D.K	TO-8
7	F1036W	38/31.5-32.5	D.I.B.G	TO-8
8	F1046	38/31.5	D.K.B.G	SF-915
9	F1034	38.9/33.4	B.G	TO-8
10	F1037C	38.9/33.4	B.G	TO-8
11	F1814D	38.9/33.4	B.G	TO-8
12	F1032	45.75/41.25	M.N	TO-8
13	D45.75B	45.75/41.25	M.N	TO-5
14	D45	45.75/41.25	M.N	SF-915
15	F1806B	38/31.5-32.5	D.G.I.M	T-4
16	F1806D	38/31.5-32.5	D.G.I	T-4
17	F1806E	38/31.5-32.5	B.G.D.I	T-4
18	D3832	38/31.5-32.5	D.K.B.G.I	T-4
19	F5323	38/31.5	D.K	SF-915
20	F1332L	38/31.5	D.K	TO-5
21	F1333L	38/31.5	D.K	TO-5
22	F1357L	38/31.5-32.5	D.K.B.G	TO-5
23	F3826C	38/31.5-32.0	D.K.I	TO-5
24	SF1311	38.9/32.9	H.I	TO-8
25	K2957	38/31-32.5	D.K.B.G.I	SF-915
26	D38S	38/31.5	D.K	TO-8
27	D38V	38/31.5	D.K	TO-8
28	D1952	38/31.5	D.K.	SIP5L
29	D1954	38/31.5	D.K	TO-8
30	D1954B	38/31.5-32	D.K.I	TO-8
31	K3955	38/31.5-32.5	D.K.B.G	TO-8
32	K9351	38/31.5-32.5	D.K.B.G	S-6BA
33	K9352	38/31.5-32.5	D.K.B.G	TO-8
34	K1905M	38/31.5	D.K	SF-915
35	D2959	38/31.5-32.5	D.K.B.G	TO-5
36	D2959B	38/31.5-32.5	D.K.B.G	TO-8
37	K2950M	38.9/32.4	D.K.B.G	SF-915
38	K2955M	38.9/32.4-33.4	D.K.B.G	SF-915
39	K2960M	38.9/32.4-33.4	D.K.B.G	SF-915
40	N38.9K	38.9/32.4	B.G	TO-8
41	M3915M	45.75/41.25	M.N	SF-915
42	M1865	45.75/41.25	M.N	S-6BA
43	M1967	45.75/41.25	M.N	S-6BA
44	K2972	38/31.5-32.5	D.K.B.G	SF-915
45	K2972M	38/31.5-32.5	D.K.B.G	TO-8
46	K2974	38/31.5-32.5	D.K	TO-8
47	D38-8	38/3.5-32.5	D.K	TO-5

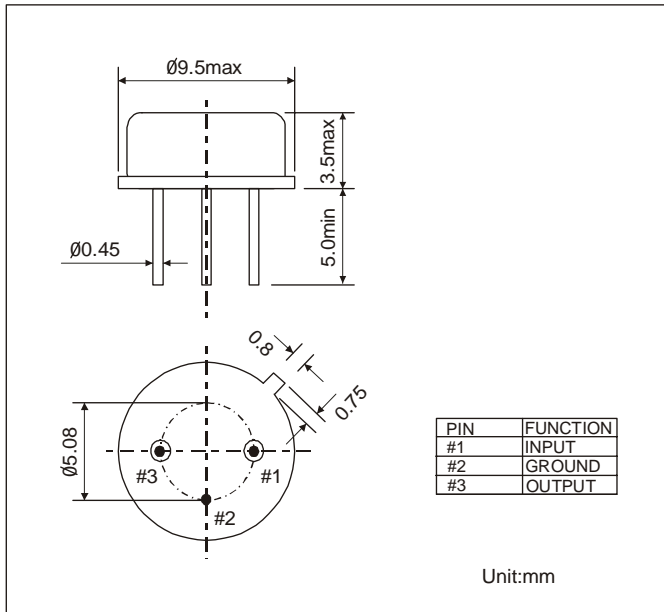
Other parameters and packages are available on request

NO.	MODEL	fp/fs (MHz)	SYSTEM	PACKAGE
48	D38-8	38/3.5-32.5	D.K	TO-5
49	D38.9P	38.9/33.4	B.G	SF-915
50	D2952B	38.9/32.4-33.4	D.K.B.G	TO-8
51	F51LM	58.75/54.25	M.N	TO-5
52	N38.9	38.9/32.9-33.4	B.G	TO-5
53	N45.75S	47.75/41.25	M.N	TO-5
54	D36.9MB	36.875/31.375	B.G	TO-5
55	D39.5	39.5/33.5	H.I	TO-5
56	D58MM	58.75/54.25	M.N	TO-5
57	D58	58.75/54.25	M.N	TO-8
58	D58M	58.75/54.25	M.N	S-6BA
59	F1032B	45.75/41.25	M.N	TO-8
60	N38T14	38/31.5	D.K	TO-8
61	N38-76	38/31.5	D.K	TO-8
62	N38-78	38/31.5	D.K	TO-8
63	LBN38-84	38/31.5	D.K	TO-8
64	LBN38-86	38/31.5-32.5	D.K	TO-8
65	X6966M	38/31.5	D.K	SF-915
66	K2956	38/31.5-32.5	D.K	TO-8
67	M1958	45.75/41.25	M.N	TO-8
68	K6283K	38/31.5-32.5	D.K.M.N	T-4
69	K3760K	38/31.5-32.5	D.K.M.N	T-4
70	K3865N	38/31.5-32.5	D.K.B.G	T-4
71	K6265K	38/31.5-32.5	D.K.M.N	DIP10K
72	K6268K	38/31.5-32.5	D.K.M.N	DIP10K
73	K3351K	38/31.5-32.5	D.K.M.N	DIP10K
74	D2959J	38/31.5-32.5	D.K	TO-8
75	K2559J	38/31.5-32.5	D.K	TO-8
76	G1872M	38.9/32.4	B.G	SF-915
77	K2966M	38.9/32.4-33.4	B.G	S-6BA
78	F1339A	38.9/32.4-33.4	B.G	TO-5
79	D45U	45.75/41.25	M.N	TO-5
80	F812GSL	45.75	N	S-6B
81	F811GSL	58.75	N	S-6B
82	N3801	38/31.5	D.K	TO-5
83	N3801A	38/31.5	D.K	TO-5
84	N3802	38/31.5	D.K	TO-5
85	N3803	38/31.5	D.K	TO-5
86	N3804	38/31.5	D.K	TO-5
87	N38.9	38.9/32.4-33.4	B.G	TO-5
88	N38.9A	38.9/32.4	B.G	TO-5
89	N38.9	38.9/32.9	H.I	TO-5
90	N39.5	39.5/33.5	H.I	TO-5
91	N40.2	40.2/34.7	B.G	TO-5
92	N45.75	45.75/41.25	M.N	TO-5
93	N45.75A	45.75/41.25	M.N	TO-5
94	N45.75B	45.75/41.25	M.N	TO-5

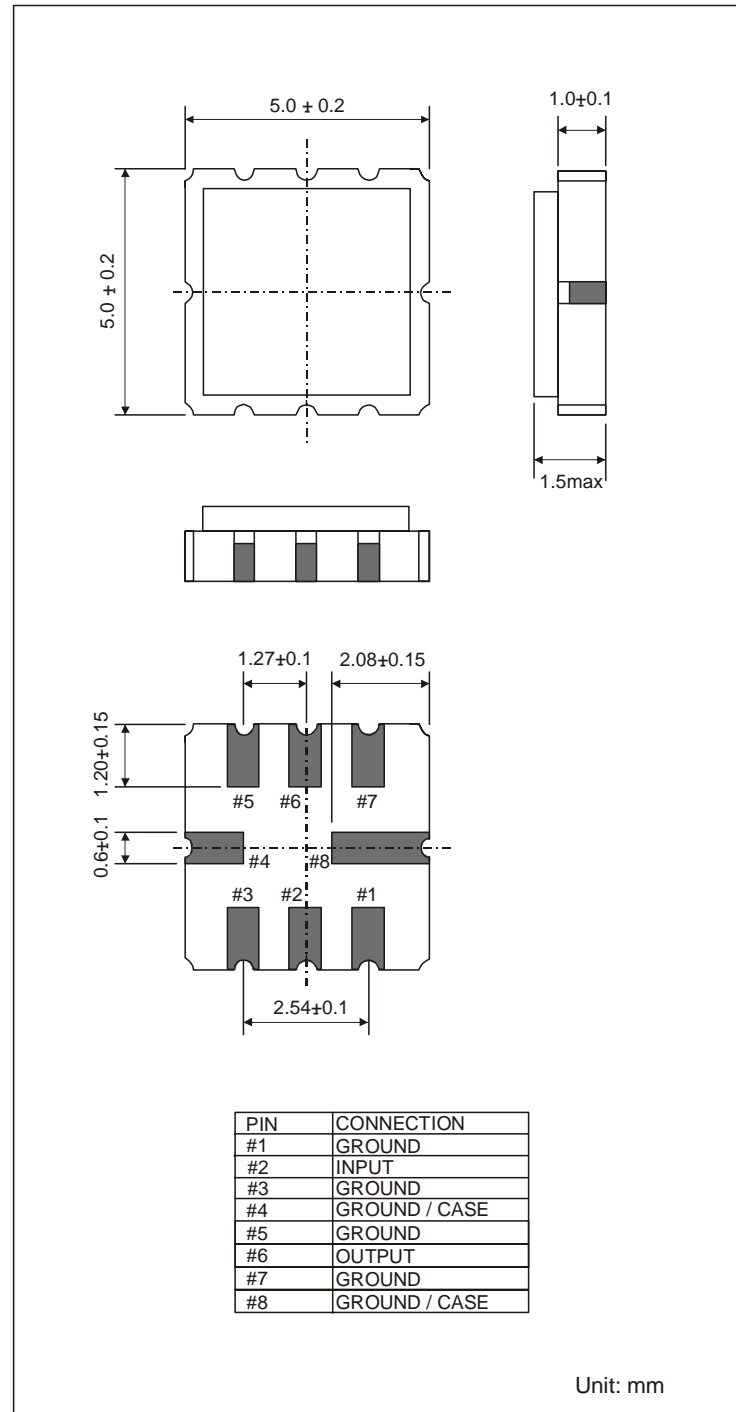
Other parameters and packages are available on request

PACKAGE DRAWINGS

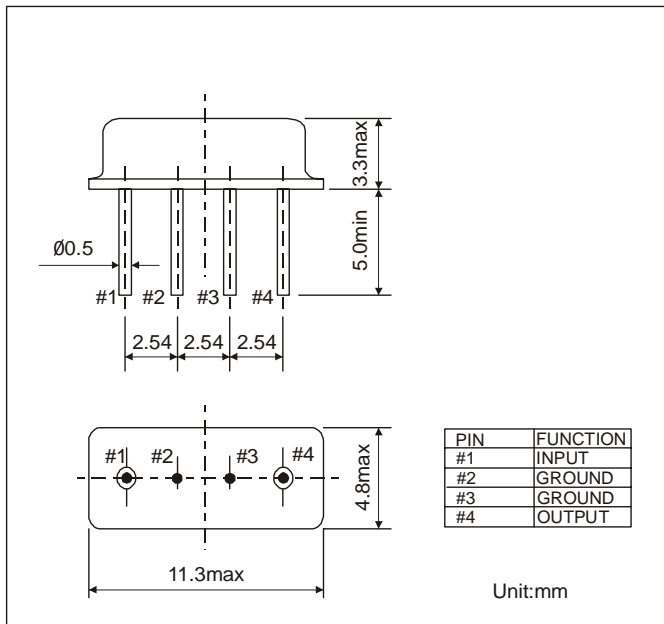
TO-39



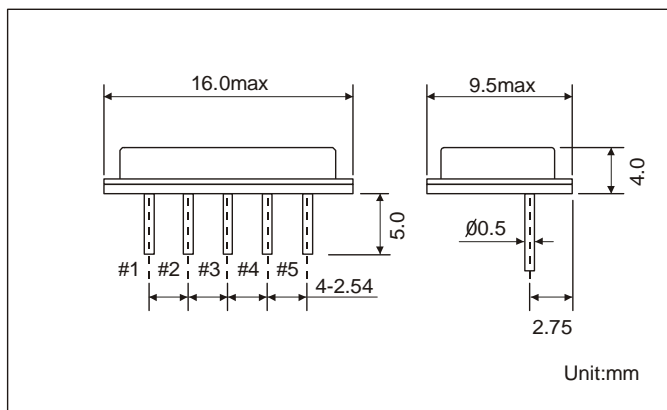
5 x 5 mm SMD



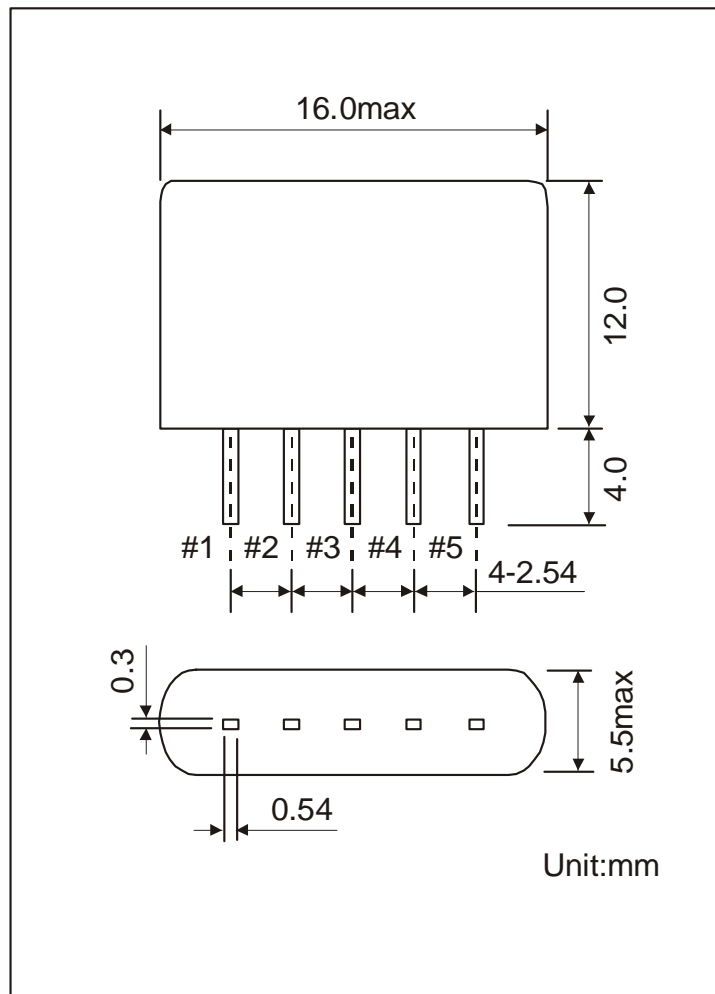
F-11



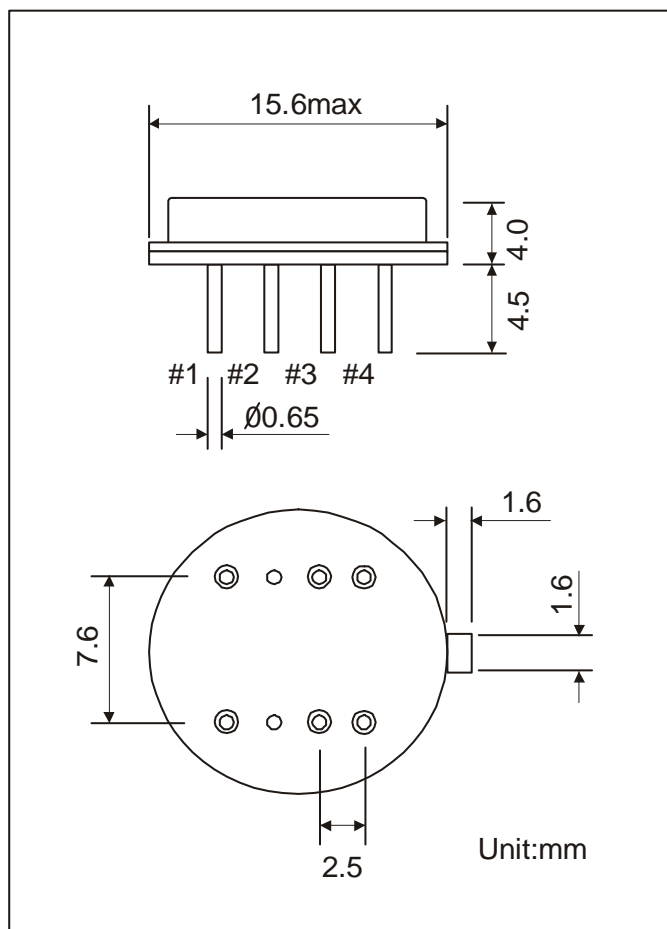
SF-915



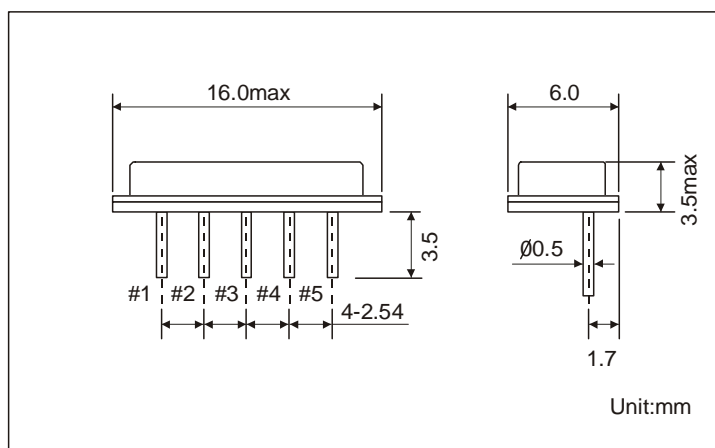
SIP5L



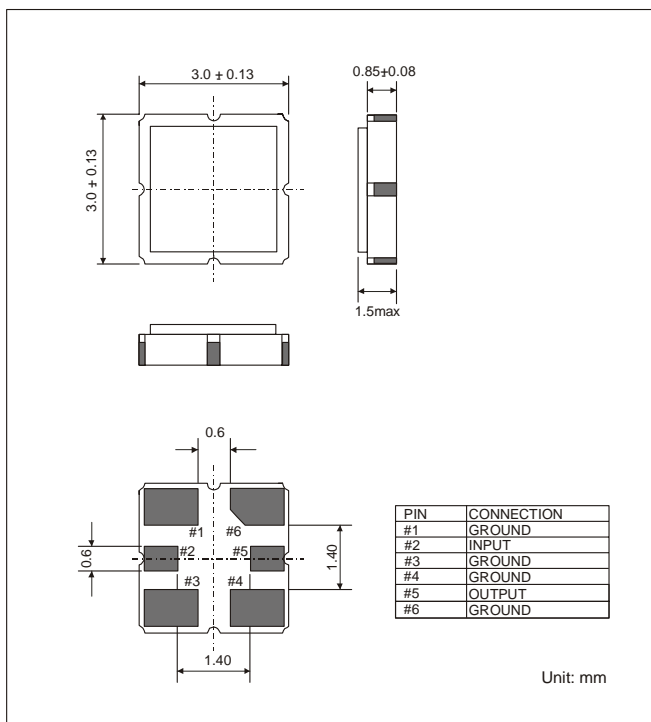
T-4



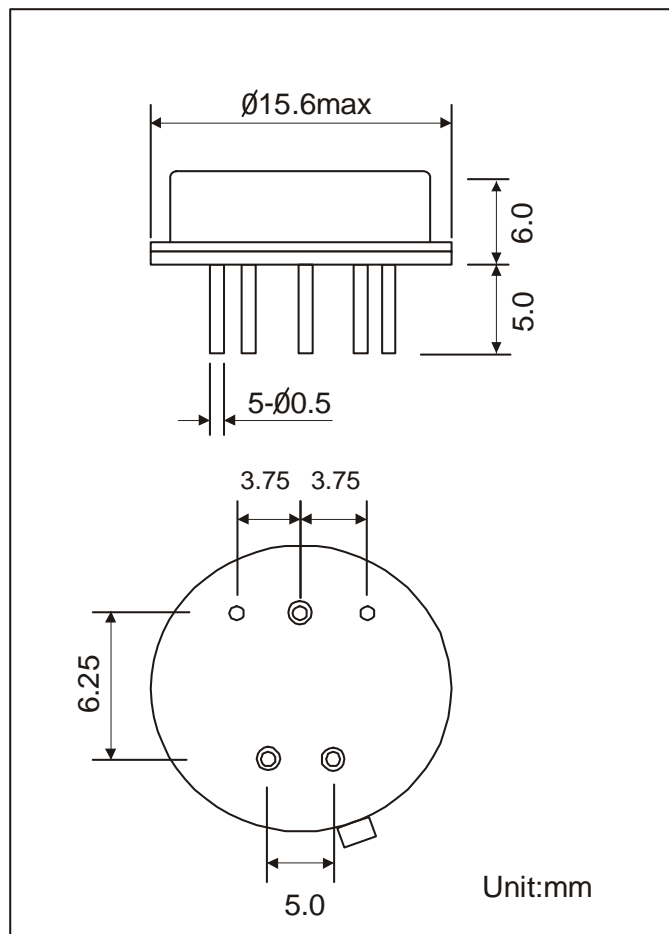
S-6BA



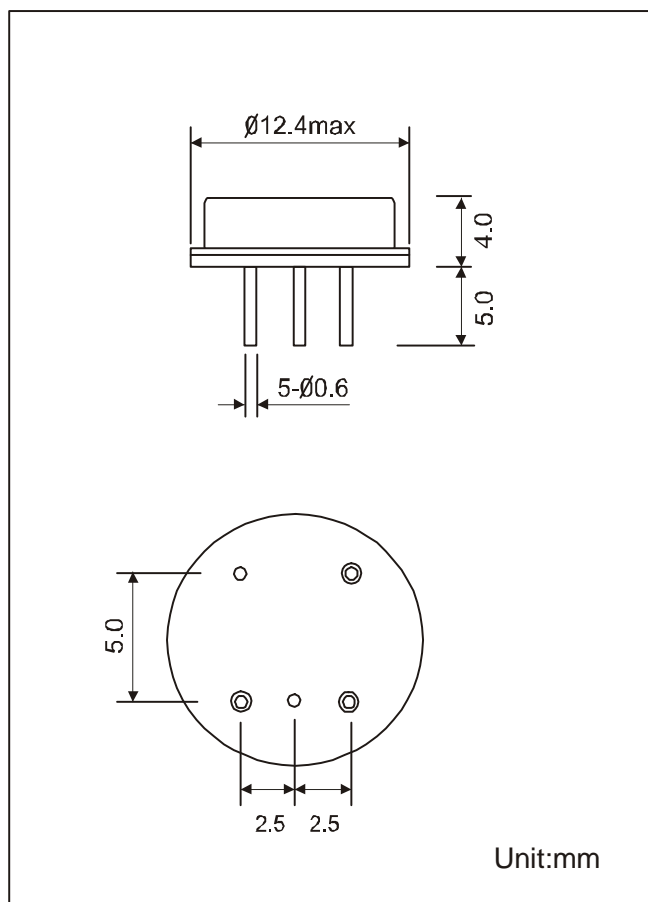
3 x 3 mm SMD



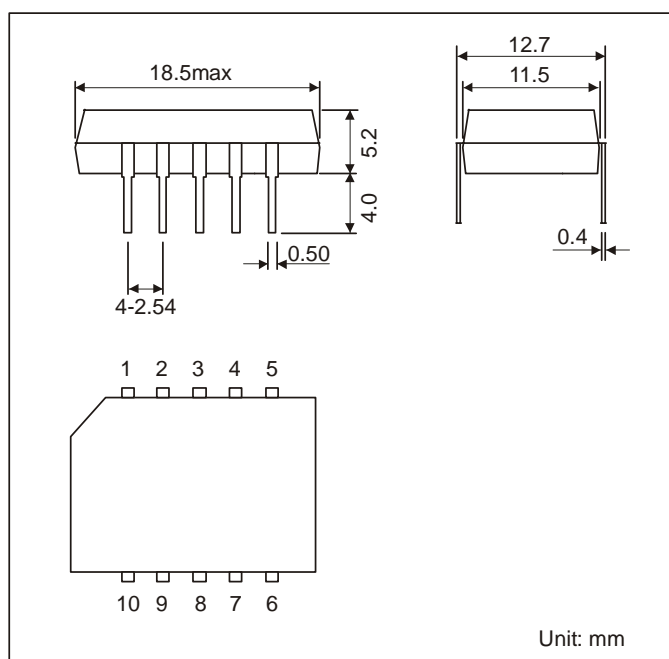
TO-8



TO-5



DIP10K



7 x 5 mm SMD

