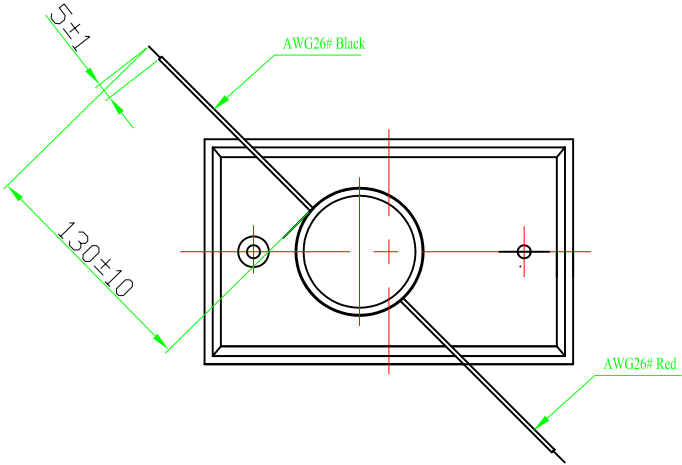
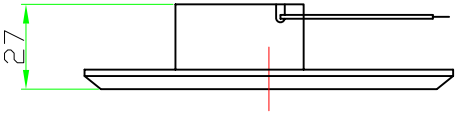
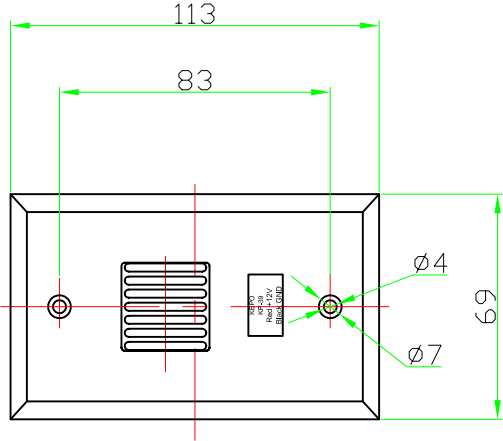


# Specification

(Test Condition, 25°C)

- 1. Rated Voltage ..... 12 VDC
- 2. Operating Voltage ..... 6 ~14 VDC
- 3. Max. Rated Current ..... 65mA
- 4. Min. Sound Pressure Level ..... 96dB at 12VDC/100cm
- 5. Tone Nature ..... High-Low Sound
- 6. Shell Material/Colort ..... ABS/White
- 7. Operating Temperature ..... -20 ~ +60°C
- 8. Store Temperature ..... -30 ~ +70°C
- 9. Weight ..... 45 g



				<b>KEPO</b> NINGBO KEPO ELECTRONIC CO.,LTD <a href="http://www.chinaacoustic.com">http://www.chinaacoustic.com</a>	
				Electronic Siren KP-39	
No.	DESCRIPTION	APPROVED	DATE		
<small>TOLERANCES UNLESS NOTED OTHERWISE</small> X ± .XX ± .XXX ± 90° FORMED ±2° ANGLES ±1°		APPROVALS		DATE	
		DRAWN	CHECKED		
FIRST ANGLE PROJECTION		APPROVED	07.09.10	UNIT	DWG NO.
				mm	KP2.840.007
				SCALE	SHEET
				NOT TO SCALE	VER 1.2