

# SPECIFICATION

Customer : CCDH

Applied To :

Product Name : Two mode speaker

Model Name : KP1710M1-P268

Drawing No. : KFC2275

Signature of Approval

--

Signature of KEPO

Approved by	Checked by	Issued by	Date



**Ningbo KePO Electronics Co.,Ltd.**

*Address: No.25 Baoyuan Road Dongqian Lake Industrial Area  
Dongqian Lake, Ningbo315121, China*

*Tel: +86(574)88371186, 88370330      Fax: +86(574)88370329  
<http://www.chinaacoustic.com>      E-mail: [Sales@kepo.com.cn](mailto:Sales@kepo.com.cn)*

Specification for Two Mode Speaker	Page	2/10
Model No. : KP1710M1-P268	Revision No.	1.1
	Drawing No.	KFC2275

## CONTENTS

1. Scope
2. General
3. Electrical and Acoustic Characteristics.
4. Reliability Test
5. Measurement Block Diagram & Response curve
6. Structure
7. Dimensions
8. Packing
9. Revision

Specification for Two Mode Speaker		Page	3/10
Model No. :	KP1710M1-P268	Revision No.	1.1
		Drawing No.	KFC2275

## 1. Scope

This specification is applied to the two mode dynamic speaker which is used all of the electrical acoustic product.

- compact, rich sound
- applications: mobile phone, PDA, notebook computer, etc. ..

## 2. General

- 2.1 Out-Diameter : 1710 mm
- 2.2 Height : 3.7mm
- 2.3 Weight : 1.0 gr.
- 2.4 Operating Temperature range:  
-20~+70°C without loss of function
- 2.5 Store Temperature range:  
-40~+85°C without loss of function

## 3. Electrical and Acoustic Characteristics.

Test condition : 15 ~ 35 °C , 25% ~ 85% RH, 860~1060 mbar

### 3.1 Speaker

	Items	Specification
1	Impedance	8 Ω ± 15%(at 1Vrms,1.5kHz)
2	Sound Pressure Level	86dB ± 3dB( 1kHz/0.1W/0.1M )
3	Resonance Frequency	1000 Hz ± 20%
4	Frequency Range	F <sub>o</sub> ~ 10.0kHz
5	Input Power	Rated 0.5W / Max. 0.8W
6	Distortion	<10% Max. at 2kHz/2Vrms
7	Buzz and Rattle	Should not be audible buzzes,rattles when the 2.0V sine wave signal swept at frequency range.
8	Polarity	When supplied plus D.C. voltage to (+) terminal, the cone diaphragm must move to forward.

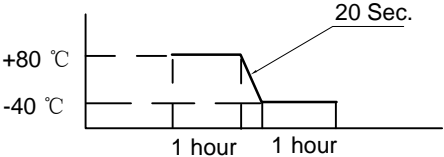
### 3.2 Receiver

	Items	Specification
1	Impedance	8 Ω ± 15%(at 1Vrms,1.5kHz)
2	Sound Pressure Level	118 dB ± 3dB( 1kHz/100mV )
3	Frequency Range	300~3400Hz
4	Input Power	Rated 10mW / Max. 30mW
5	Distortion	<3% Max. at 1kHz/1Vrms
6	Buzz and Rattle	Should not be audible buzzes,rattles when the 0.28V sine wave signal swept at frequency range.

Specification for Two Mode Speaker		Page	4/10
Model No. : KP1710M1-P268		Revision No.	1.1
		Drawing No.	KFC2275

## 4. Reliability Test

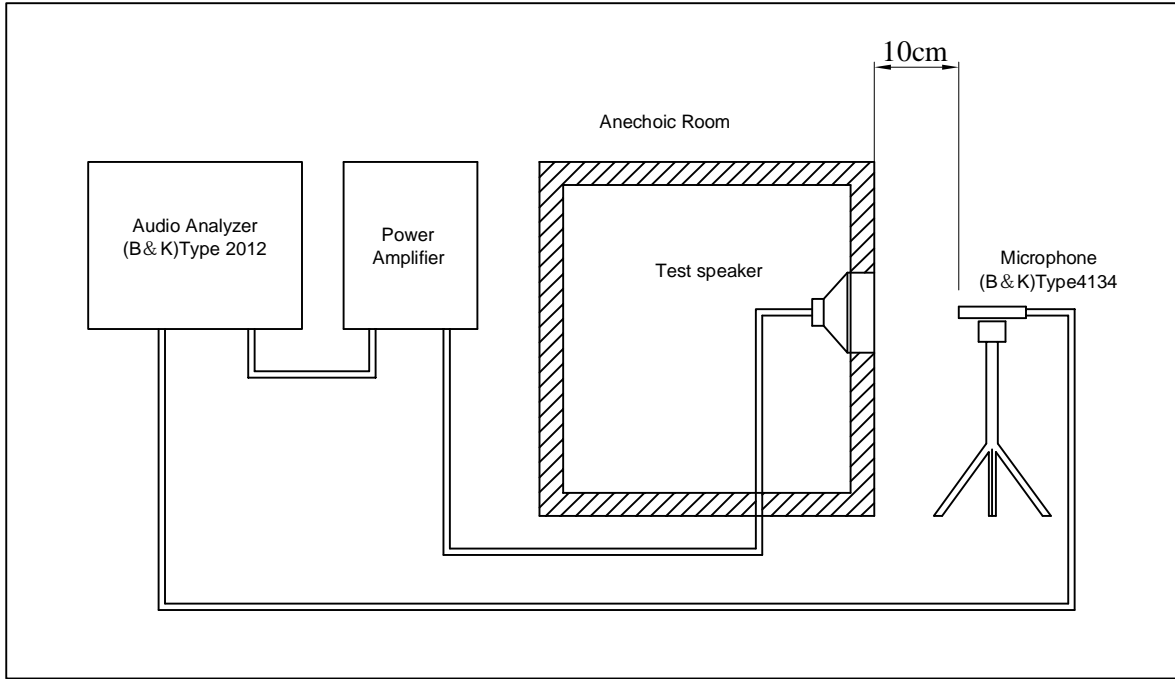
After test(1~7item), the speaker S.P.L . difference shall be within  $\pm 3\text{dB}$ , and the appearance not exist any change to be harmful to normal operation(e.g. cracks,rusts,damages and especially distortion).

	Item	Specification
1	High Temperature Test	After being placed in a chamber with $+85\pm 3\text{ }^\circ\text{C}$ for 96 hours and then being placed in natural condition for 1 hour, speaker shall be measured.
2	Low Temperature Test	After being placed in a chamber with $-40\pm 3\text{ }^\circ\text{C}$ for 96 hours and then being placed in natural condition for 1 hour, speaker shall be measured.
3	Humidity Test	After being placed in a chamber with 85 to 90%R.H. at $+40\pm 2\text{ }^\circ\text{C}$ for 96 hours and then being placed in natural condition for 1 hour, speaker shall be measured.
4	Thermal Shock Test	<p>After being placed in a chamber at <math>+80\text{ }^\circ\text{C}</math> for 1 hour, then speaker shall be placed in a chamber at <math>-40\text{ }^\circ\text{C}</math> for 1 hour(1 cycle is the below diagram).</p> <p>After 6 above cycles, speaker shall be measured after being placed in natural condition for 1 hour.</p> 
5	Vibration Test	After being applied vibration of amplitude of 1.5mm with 10 to 55Hz band of vibration frequency to each of 3 perpendicular directions for 1 hour, then placed in natural condition for 1 hour, speaker shall be measured.
6	Drop Test	The speaker when mounted in the jig which weight 85g~100g, shall with stand 15 times random drops from a height of 1.5 meter to a concrete floor faced with 5mm thick hard wood board.and be nothing mechanical damage.
7	Load test	The speaker after being applied loading white noise with input power 0.5W(2.0Vrms.) for 96 hours, then placed in natural condition for 1 hour, speaker shall be measured.
		The receiver after being applied loading white noise with input power 10mW(0.28Vrms.) for 96 hours, then placed in natural condition for 1 hour, speaker shall be measured.
8	Insulation test	When they are measured with DC 100V the insulation resistance between v.c. terminal and frame must be more than 1 M $\Omega$

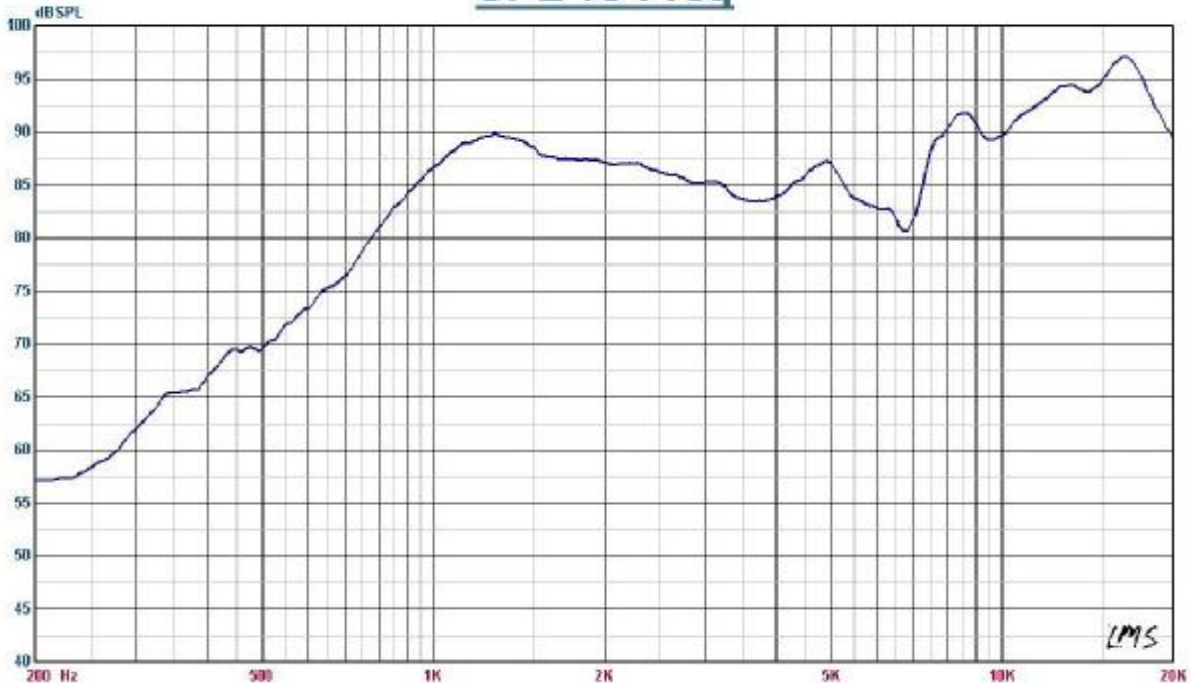
Specification for Two Mode Speaker		Page	5/10
Model No. : KP1710M1-P268		Revision No.	1.1
		Drawing No.	KFC2275

## 5. Measurement Block Diagram & Response curve

### 5.1 Speaker

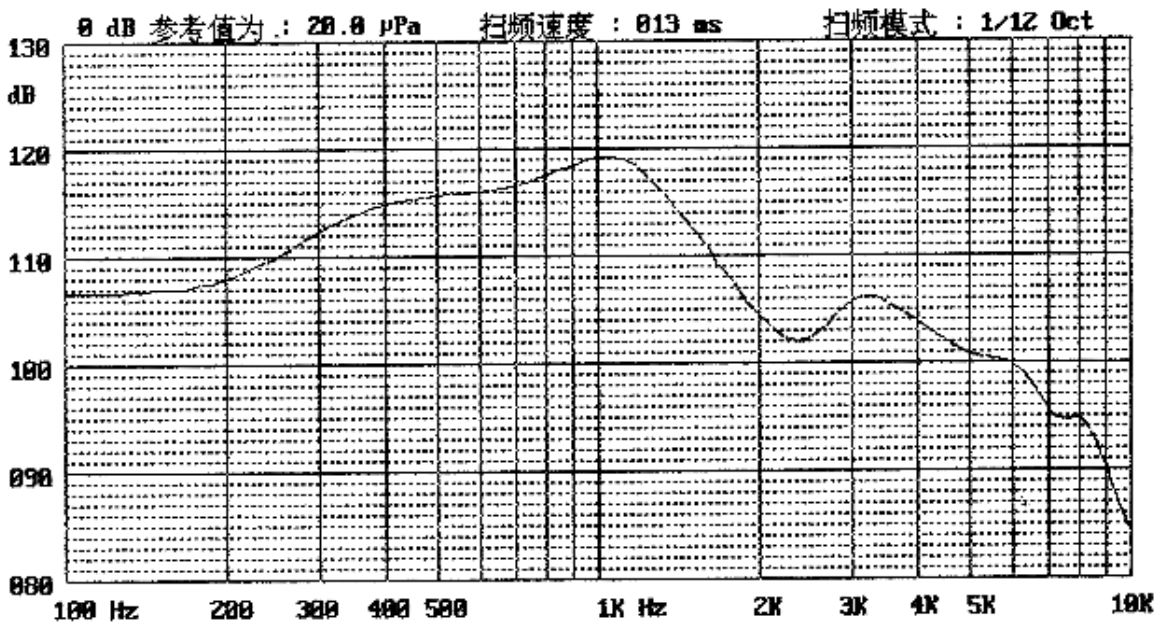
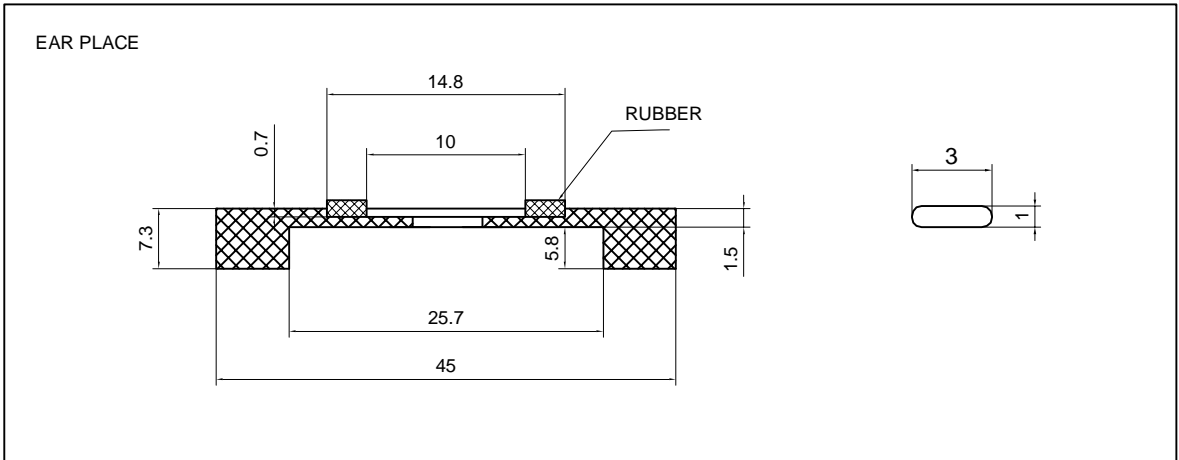
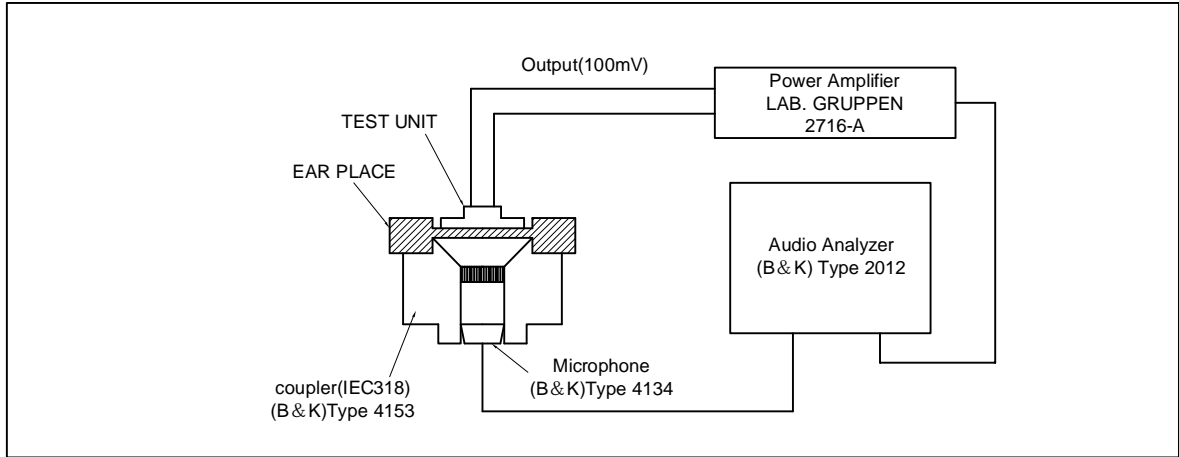


**SPL vs Freq**



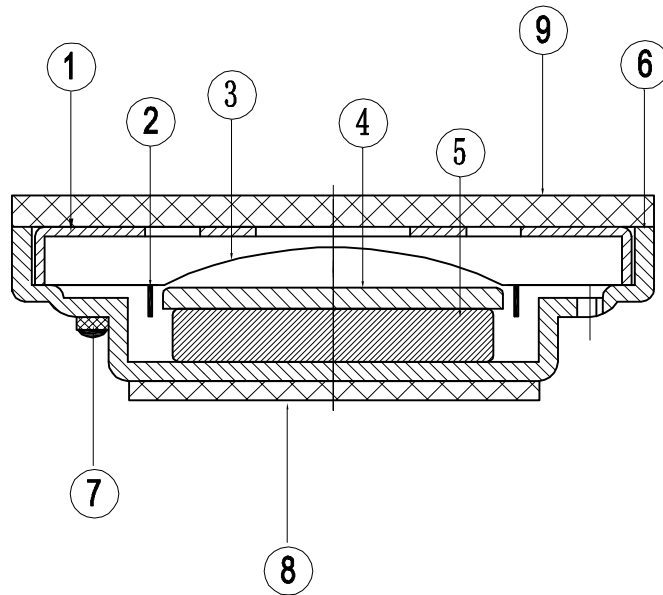
Specification for Two Mode Speaker	Page	6/10
	Revision No.	1.1
	Drawing No.	KFC2275
Model No. :	KP1710M1-P268	

## 5.2 Receiver



Specification for Two Mode Speaker		Page	7/10
Model No. : KP1710M1-P268		Revision No.	1.1
		Drawing No.	KFC2275

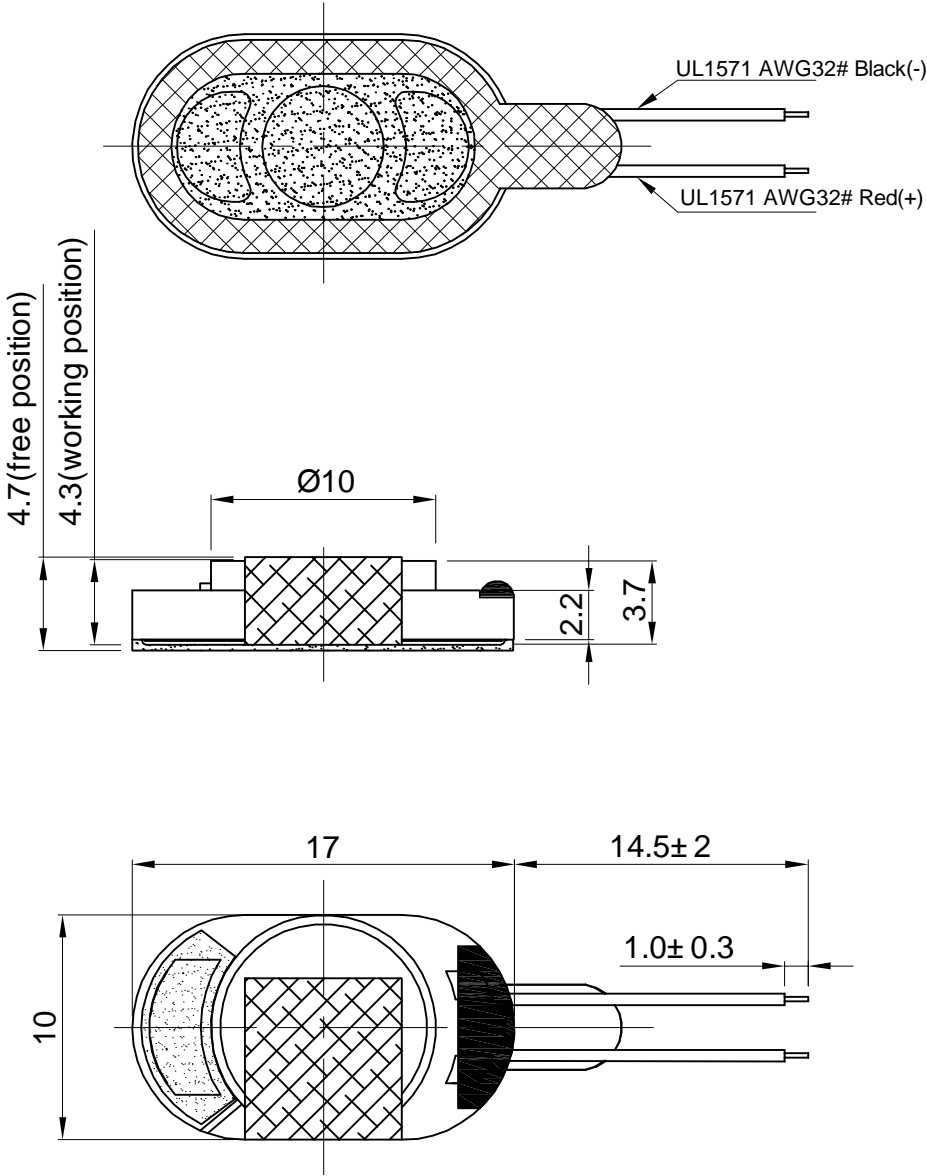
## 6. Structure



9	Gasket	1	unwoven fabric	800+2B+800
8	Tape	1	fabric	7x13.5x0.1 厚的导电垫
7	Terminal	1	Epoxy PCB	
6	Frame	1	SPC	
5	Magnet	1	Nd-Fe-B	
4	Plate	1	SPC	
3	Diaphragm	1	PEI	
2	Coil	1	Copper	
1	Cap	1	SUS304	
No.	Part Name	Q'TY	Material	Remarks

Specification for Two Mode Speaker		Page	8/10
		Revision No.	1.1
Model No. :	KP1710M1-P268	Drawing No.	KFC2275

### 7. Dimensions



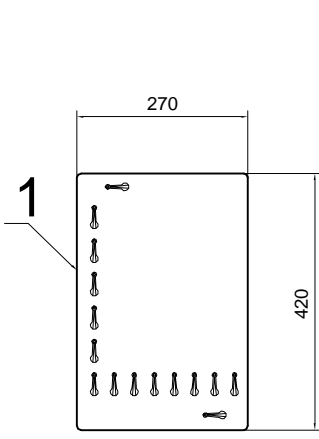
FIRST ANGLE PROJECTION

UNIT : mm  
Tolerance :  $\pm 0.2$

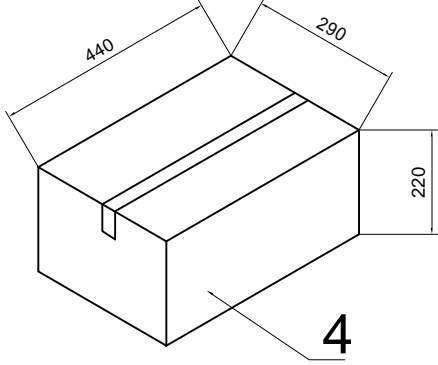
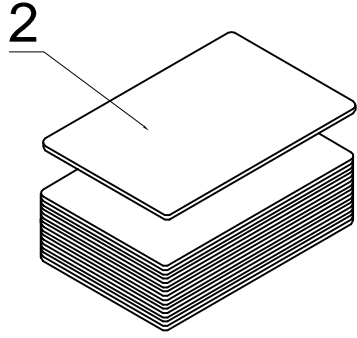
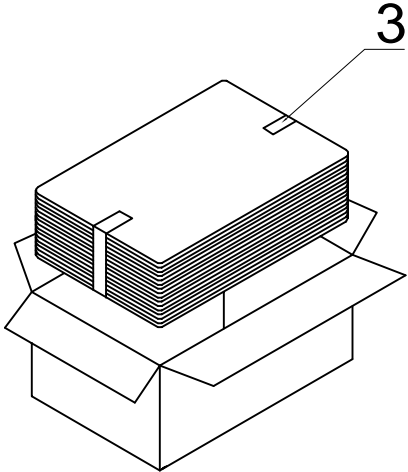


Specification for Two Mode Speaker		Page	9/10
Model No. :                      KP1710M1-P268		Revision No.	1.1
		Drawing No.	KFC2275

### 8. Packing



100Pcs



QTY: 2000Pcs  
440 x290 x220

