

SPECIFICATION	Page	2 / 14
	Revision No.	1.0
KPB8339SP1R4-C-Q8344	Drawing No.	KFC8344

CONTENTS

1. Scope
2. General
3. Electrical and Acoustic Characteristics.
4. Reliability Test
5. Measurement Block Diagram & Response curve
6. Structure
7. Dimensions
8. Packing

1.0	2020.09.02	/	Primary	
Rev.	DATE	PAGE	DESCRIPTION	SIGN
Revision				

SPECIFICATION KPB8339SP1R4-C-Q8344	Page	3 / 14
	Revision No.	1.0
	Drawing No.	KFC8344

1. Scop

This specification is applied to the dynamic speaker which is used for electric vehicle.

2. General

- 2.1 Out-Diameter: 95X103 mm
- 2.2 Height: 68 mm
- 2.3 Weight: 360 g
- 2.4 Operating Temperature range:
-40~+105°C without loss of function
- 2.5 Store Temperature range:
-40~+105°C without loss of function

3. Electrical and Acoustic Characteristics

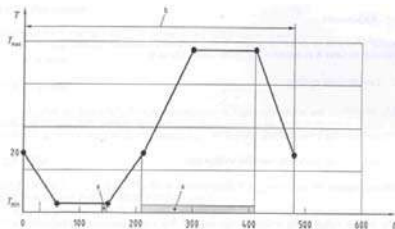
Test condition : 15 ~ 35 °C , 25% ~ 85% RH, 860~1060 mbar

	Item	Specification
3.1	Impedance	4Ω±15%(1Vrms at 1000Hz)
3.2	Sound Pressure Level	Min 88 dB @ 1w/1m at 200-10KHz Pink noise (at25°C)
3.3	Resonance Frequency	200 Hz±20%
3.4	Frequency Range	200 ~10KHz
3.5	Input Power	Rated 5W / Max.10W
3.6	Distortion	<10% Max. at 200-5kHz/2 V rms
3.7	Buzz and Rattle	Should not be audible buzzes, rattles when the 4.47 V sine wave signal swept at frequency range.
3.8	Polarity	When supplied plus D.C. voltage to (+) terminal, the cone diaphragm must move to forward.
3.9	Waterproof	IP67

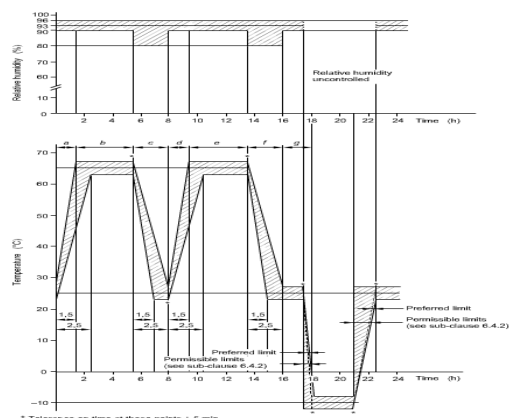
SPECIFICATION KPB8339SP1R4-C-Q8344	Page	4 / 14
	Revision No.	1.0
	Drawing No.	KFC8344

4. Reliability Test

	Item	Specification	判定标准
4.1	气密性测试	扬声器固定在夹具上，使前腔密闭，注入 100Bars 气压	气压泄露不超过 0.6 立厘米每分钟
4.2	可燃性	根据可燃性的内饰材料标准的 VCS5031,19	燃烧速率小于 80mm/Min
4.3	禁止使用物质	根据欧盟指令 2000/53/EC 和修正指令 2002/525/EC	Pb Cr6+ Cd Cl Hg 以上材料禁止使用
4.4	Drop Test 跌落测试	1m 高的混凝土坪，3 轴/每轴 2 次 ISO16750-3 4.3	无损坏，密封良好工作正常
4.5	振动测试	IEC 60068-2-6 时间 5h 3h z x y 轴各 1 小时	无损坏，密封良好工作正常
4.6	端子牢固测试	接插件拉力: 大于 6N 力, 2 线一起测试 平行 1 小时 垂直各 1 小时 弯曲: 20 次 缠绕: 10 圈。	无松动，脱落
4.7	喇叭与壳体锁安装牢固度	承受大于 600N 拉力	无松动，脱出
4.8	壳体嵌入螺母拔出试验	承受大于 200N 拉力，实验前壳体需 +105℃ 下放置 48 小时	无松动，脱出，开裂
4.9	高低温存储	高温放置: +105℃/504H -40℃/24H	无损伤，无硬化塑料，无裂纹，气密性测试功能测试合格螺钉固定好
4.10	极端温度工作测试	+105℃/24H -40℃/24H，粉红噪声信号，额定功率电压 4.47 V 频率: 200-10KHz	
4.11	特定变化率的温度周期	ISO16750-4:2010,5.3.1 30 个循环的第 210min 到第 410min 期间通电工作	
4.12	冷热冲击	循环时间: 3h 循环次数: 400 最高温度+105℃ 最低温度-40℃ 转换时间: 小于 30s	



<h1>SPECIFICATION</h1> <h2>KPB8339SP1R4-C-Q8344</h2>	Page	5 / 14
	Revision No.	1.0
	Drawing No.	KFC8344

4.13	温热循环	<p>循环时间: 24h 循环次数: 10 最高温度: +65℃, 最低温度-10℃ 温度: 8-90% IEC60068-2-38</p> 	<p>无损伤, 无硬化塑料, 无裂纹, 气密性测试功能测试合格螺钉固定好</p>
------	------	---	--

4.14	高湿存储	测试时长: 21 天, 温度: 40℃湿度 93%rH	
------	------	-----------------------------	--

4.15	频响曲线及失真测试	<p>测量应在消声室或半消声室中进行, 扬声器安装在挡板上, 或放置地板上, 向上。正弦信号 1M1W 测试</p>	<table border="1" style="width: 100%; border-collapse: collapse; text-align: center;"> <thead> <tr> <th>Frequency [Hz]</th> <th>spL [dB]</th> <th>THD+N[%]</th> </tr> </thead> <tbody> <tr><td>200</td><td>80</td><td>10</td></tr> <tr><td>250</td><td>80</td><td>10</td></tr> <tr><td>315</td><td>80</td><td>10</td></tr> <tr><td>400</td><td>80</td><td>10</td></tr> <tr><td>500</td><td>80</td><td>10</td></tr> <tr><td>630</td><td>80</td><td>10</td></tr> <tr><td>890</td><td>80</td><td>10</td></tr> <tr><td>1000</td><td>80</td><td>10</td></tr> <tr><td>1250</td><td>80</td><td>10</td></tr> <tr><td>1600</td><td>80</td><td>10</td></tr> <tr><td>2000</td><td>80</td><td>10</td></tr> <tr><td>2500</td><td>80</td><td>10</td></tr> <tr><td>3150</td><td>80</td><td>10</td></tr> <tr><td>4000</td><td>80</td><td>10</td></tr> <tr><td>5000</td><td>80</td><td>10</td></tr> </tbody> </table>	Frequency [Hz]	spL [dB]	THD+N[%]	200	80	10	250	80	10	315	80	10	400	80	10	500	80	10	630	80	10	890	80	10	1000	80	10	1250	80	10	1600	80	10	2000	80	10	2500	80	10	3150	80	10	4000	80	10	5000	80	10	<p>SPL THD在标准范围内</p>
Frequency [Hz]	spL [dB]	THD+N[%]																																																		
200	80	10																																																		
250	80	10																																																		
315	80	10																																																		
400	80	10																																																		
500	80	10																																																		
630	80	10																																																		
890	80	10																																																		
1000	80	10																																																		
1250	80	10																																																		
1600	80	10																																																		
2000	80	10																																																		
2500	80	10																																																		
3150	80	10																																																		
4000	80	10																																																		
5000	80	10																																																		

SPECIFICATION

Page

6 / 14

KPB8339SP1R4-C-Q8344

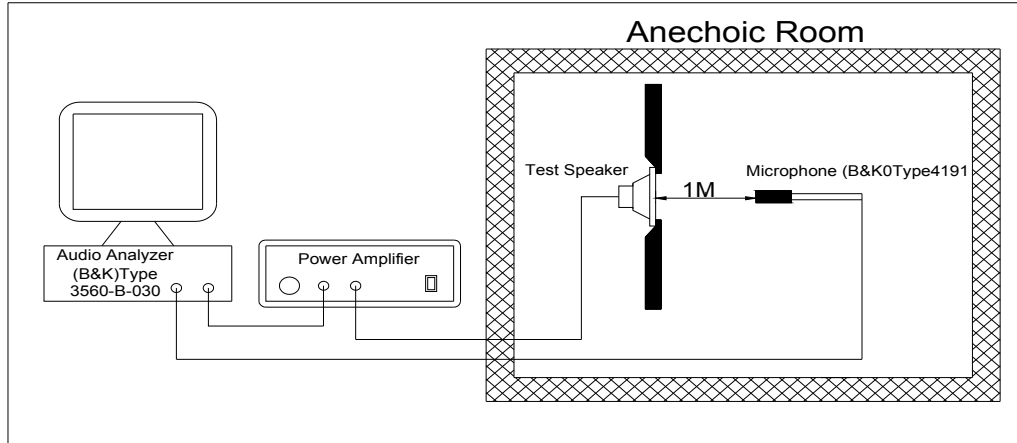
Revision No.

1.0

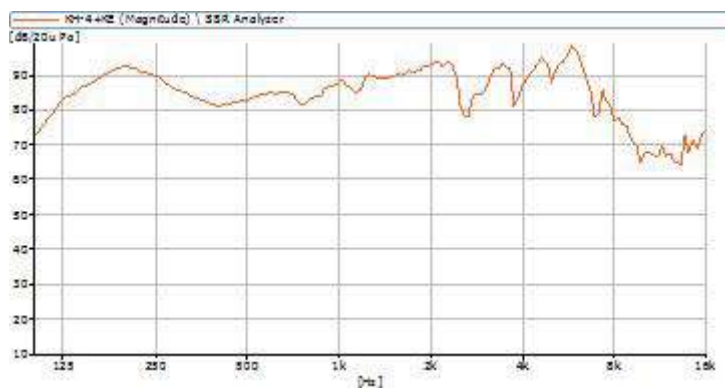
Drawing No.

KFC8344

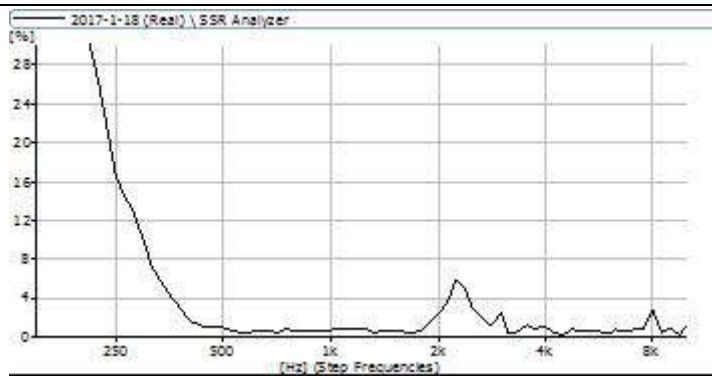
5. Measurement Block Diagram & Response curve



Frequency curve



THD+N curve

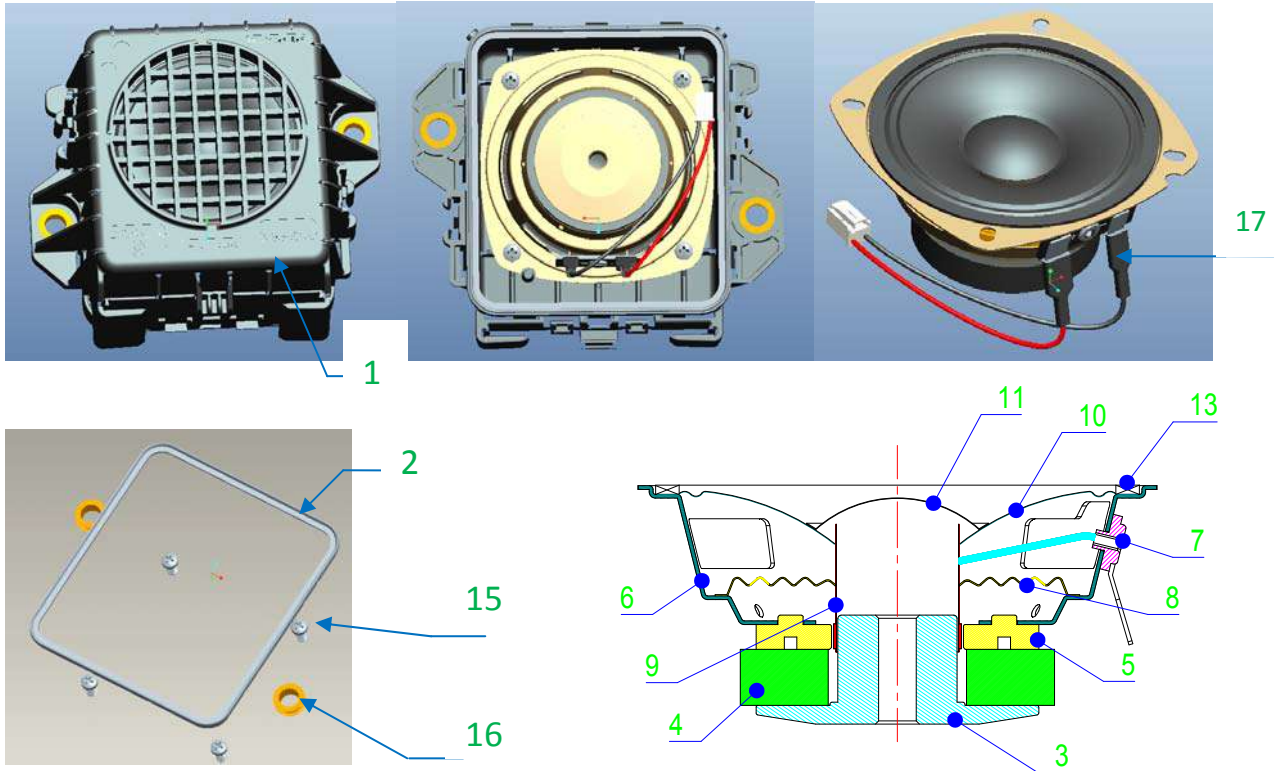


T/S Specification

Revc	3.8	Ω	Qms	5.3		Vas	0.51	dm ³
Fs	223	Hz	Qes	2.5		Cms	0.27	g
Sd	36.3	Cm ²	Qts	1.6		Mms	1.85	g
Mmd	1.6	g	N0	0.22	%			
BL	1.9	T.m	SPL	85.5	dB			

<h1>SPECIFICATION</h1>	Page	7 / 14
	Revision No.	1.0
KPB8339SP1R4-C-Q8344	Drawing No.	KFC8344

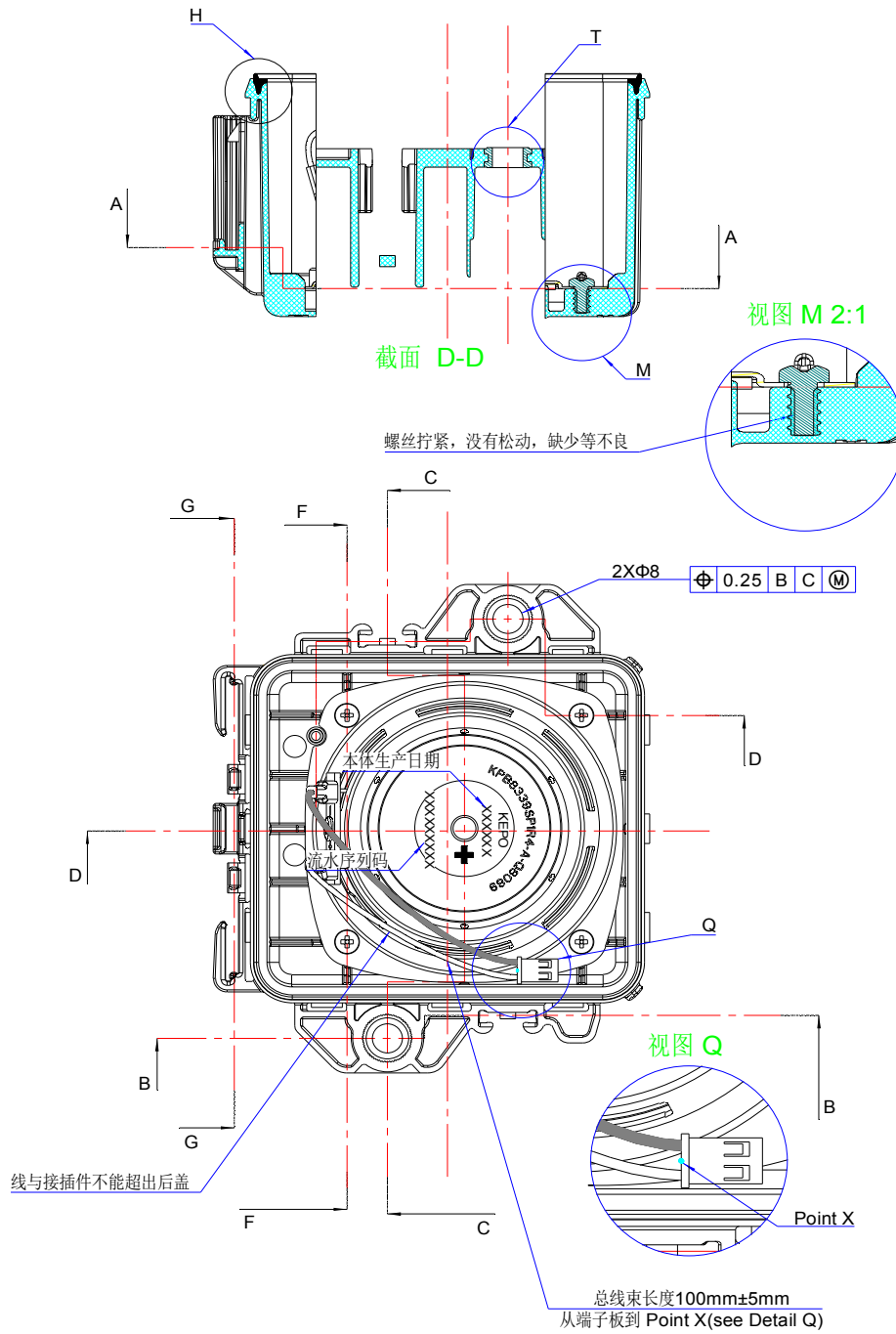
6. Structure



17	HEAT SHRINKABLE TUBING	2	SB-SBRS-(4X)GR	BLACK
16	METAL INSERTS OVERMOLDED	2	BRASS GB/T 5232-2001	
15	SCREWS M3.5X7	4	SETTL SAE 1018	white zinc-plating
14	WIRES UL 1332 AWG 22#	2	Teflon(FEP)	RED+BLACK
13	FRONT GASKET	1	NBR	BLACK
12	JST CONNECTOR XARP-02V	1	PBT	white
11	DUST CAP	1	PEI	BLACK
10	CONE	1	PEI	BLACK
9	VOICE COIL	1	KAPTON+CCAW	
8	DAMPER	1	CONEX 60S/70	
7	TERMINAL	1	HB-77 Paper+H62 Cu Coating Tin	
6	CHASSIS	1	STEEL CR3 ZINC PLATED	
5	WASHER	1	STEEL CR3 ZINC PLATED	
4	MAGNET	1	Y30 Ferrite	
3	T-YOKE	1	STEEL CR3 ZINC PLATED	
2	GASKET	1	SILICON WACKER 3003/20	
1	COVER	1	PBT PC-GF 10	Xenoy 1760-SABIC (PBT+PC)-GX11
No.	Part Name	Q'ty	Material	Remarks

SPECIFICATION	Page	8 / 14
	Revision No.	1.0
KPB8339SP1R4-C-Q8344	Drawing No.	KFC8344

7. Dimensions



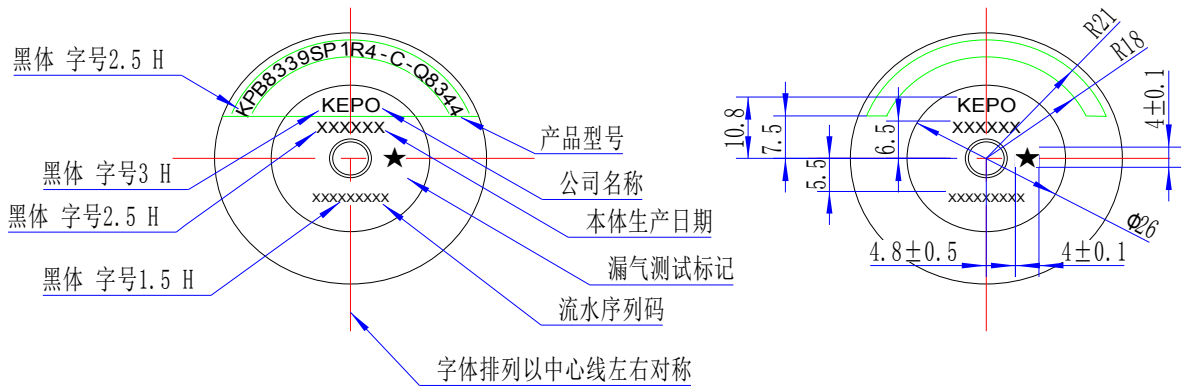
FIRST ANGLE PROJECTION :

Tolerance: ±0.5

UNIT: mm

<h1>SPECIFICATION</h1>	Page	9 / 14
	Revision No.	1.0
<h2>KPB8339SP1R4-C-Q8344</h2>	Drawing No.	KFC8344

KPB8339SP1R4-C-Q8344 标识要求



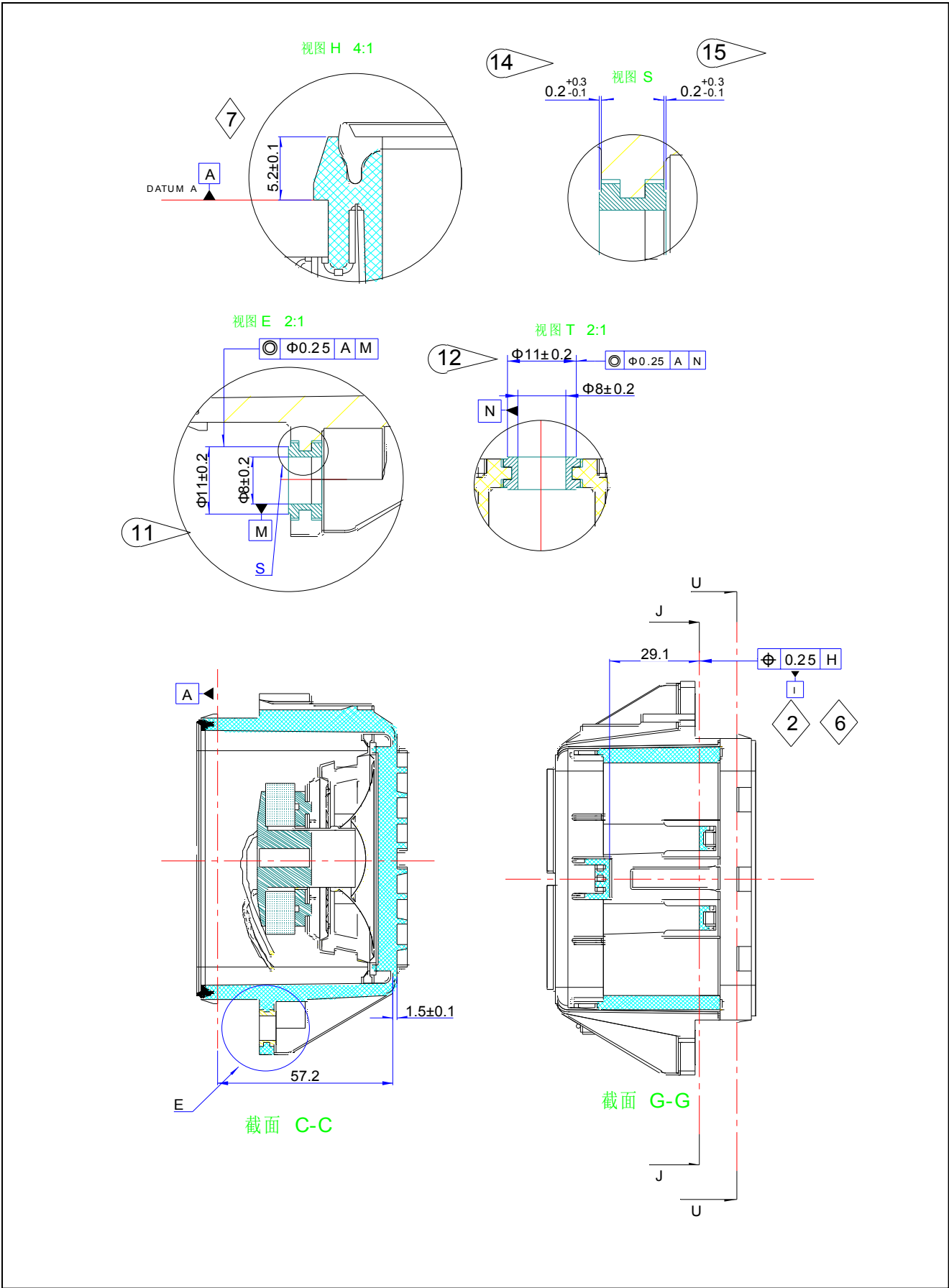
本体生产日期示例：2019年4月12日

190412
年 月 日

流水序列码示例：2019年第123天第283个产品

191230283
年
第几天 第几个产品

<h1 style="margin: 0;">SPECIFICATION</h1> <p style="margin: 0;">KPB8339SP1R4-C-Q8344</p>	Page	10 / 14
	Revision No.	1.0
	Drawing No.	KFC8344



SPECIFICATION

Page

11 / 14

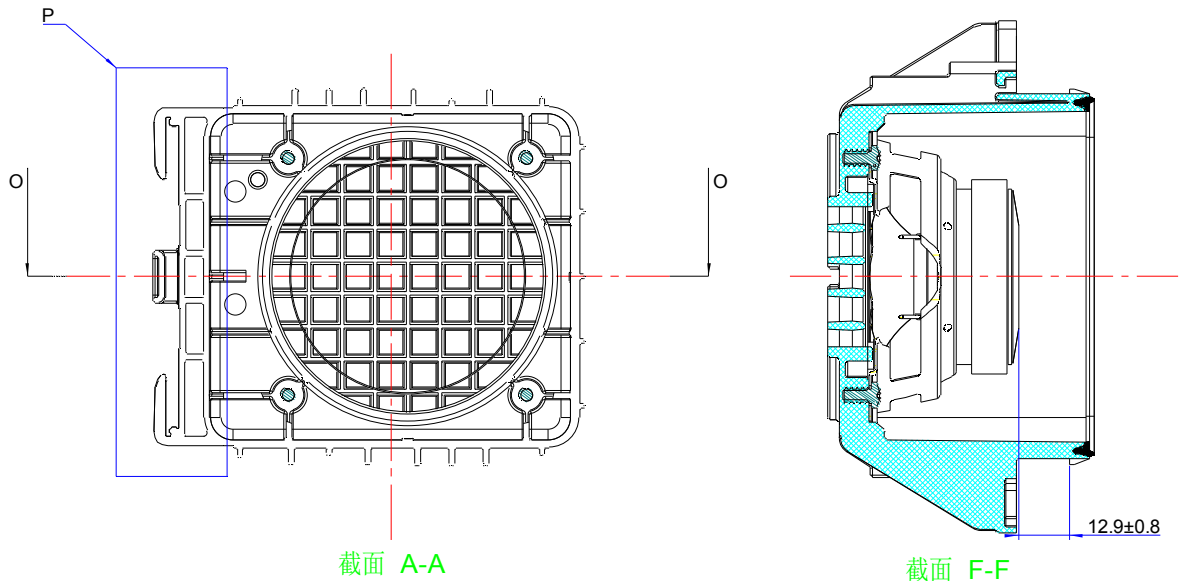
KPB8339SP1R4-C-Q8344

Revision No.

1.0

Drawing No.

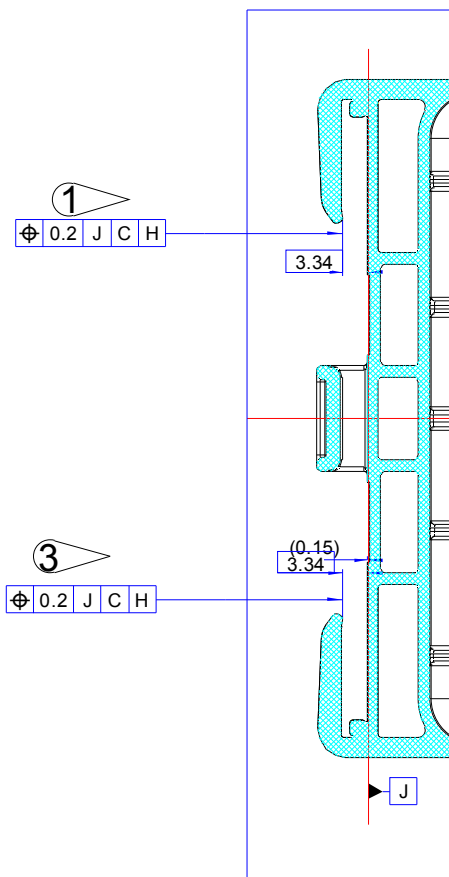
KFC8344



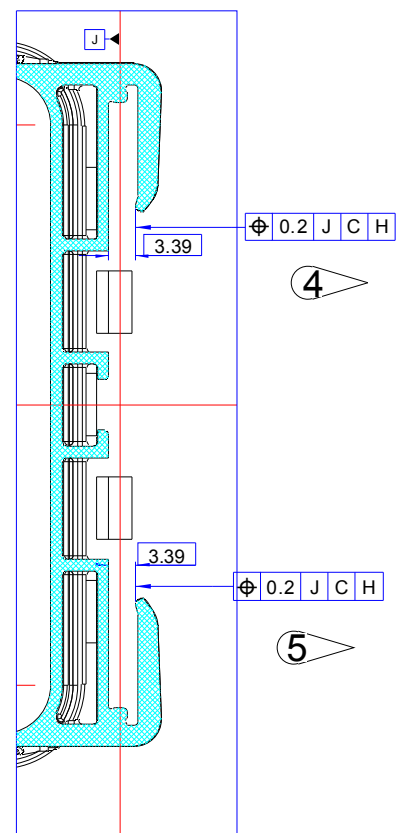
截面 A-A

截面 F-F

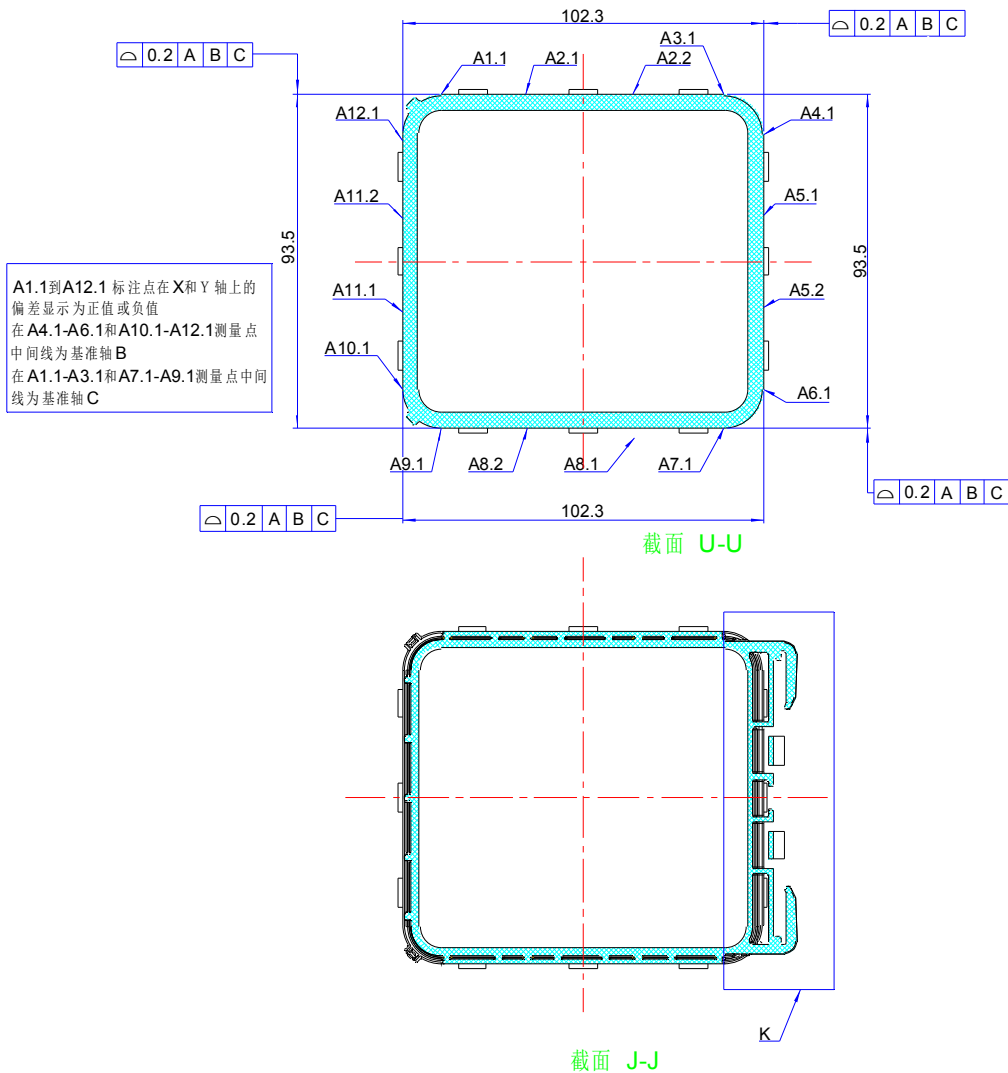
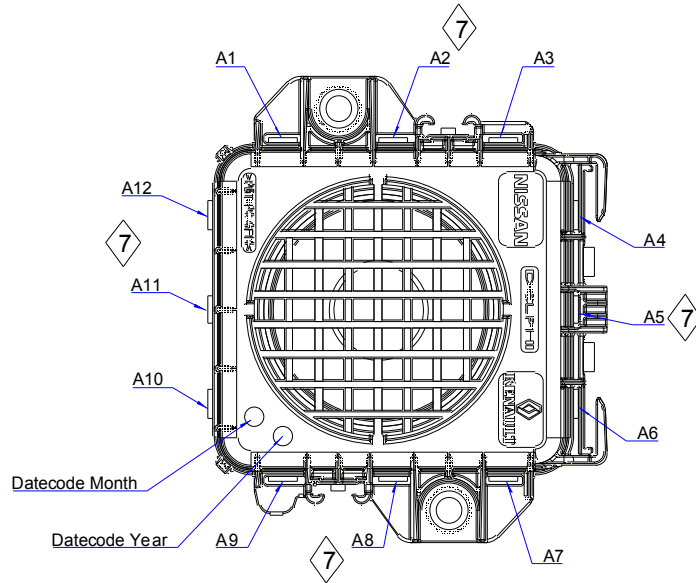
视图 P 2:1



视图 K 2:1



<h1>SPECIFICATION</h1>	Page	12 / 14
	Revision No.	1.0
<h2>KPB8339SP1R4-C-Q8344</h2>	Drawing No.	KFC8344



<h1>SPECIFICATION</h1> KPB8339SP1R4-C-Q8344	Page	13 / 14
	Revision No.	1.0
	Drawing No.	KFC8344

Designated Characteristics														
KPC No.	QCI No.	K or Q in symbol indicates checkpoint					QCI		KPC					
		Type	Description			Rationale	Zone	SH	PTS	Fit/Function				
										CI	FF			
						Safety/compliance		SC						
	1	CI	3.34	ϕ 0.2	J	C	H	(15.004)	CPK	Bracket interface		1	1	
2		FF	29.1	ϕ 0.25	H			(12.001)	SPC	Bracket interface		1	1	
	3	CI	3.34	ϕ 0.2	J	C	H	(15.009)	CPK	Bracket interface		1	1	
	4	CI	3.39	ϕ 0.2	J	C	H	(18.007)	SPC	Bracket interface		1	1	
	5	CI	3.39	ϕ 0.2	J	C	H	(18.014)	SPC	Bracket interface		1	1	
6		FF	29.1	ϕ 0.25	H			(12.002)	SPC	Bracket interface		1	1	
7		FF	5.2±0.1					(1.005)	SPC	Overmolded Gasket Outline		1	1	
8		FF	88dB min for all temperature range in closed Box								Acoustic Performance		1	1
9		FF	IPX7								Watertightness		1	1
10		FF	ϕ 0.25	B	C	M		(11.003)	CPK	Bracket interface		1	1	
	11	CI	8.0±0.2						(4.004)	SPC	Bracket interface		1	1
	12	CI	8.0±0.2						(5.002)	SPC	Bracket interface		1	1
13		FF	ϕ 0.25	B	C	M		(11.005-11.006)	CPK	Bracket interface		1	1	
	14	CI	0.2 +0.3/-0.1						(4.004)	SPC	Bracket interface		1	1
	15	CI	0.2 +0.3/-0.1						(5.002)	SPC	Bracket interface		1	1
16		FF	$\overline{\cup}$ 0.2	A	B	C		(19.001)	SPC	Housing Form Requirement		1	1	
17		FF	$\overline{\cup}$ 0.2	A	B	C		(19.002)	SPC	Housing Form Requirement		1	1	
18		FF	$\overline{\cup}$ 0.2	A	B	C		(19.003)	SPC	Housing Form Requirement		1	1	
19		FF	$\overline{\cup}$ 0.2	A	B	C		(19.004)	SPC	Housing Form Requirement		1	1	

<h1>SPECIFICATION</h1>	Page	14 / 14
	Revision No.	1.0
<h2>KPB8339SP1R4-C-Q8344</h2>	Drawing No.	KFC8344

8. Packing

Each minimum package unit of products shall be in a carton box and it shall be clearly marked with Part Number, quantity and outgoing inspection number.



每层 6pcs



每箱 3 层: 3*6=18pcs

外箱尺寸: 380X300X245 mm