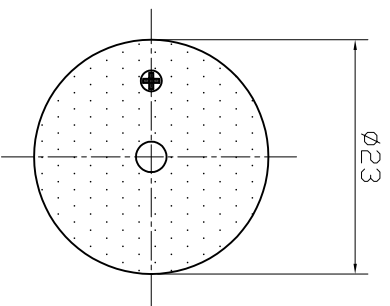
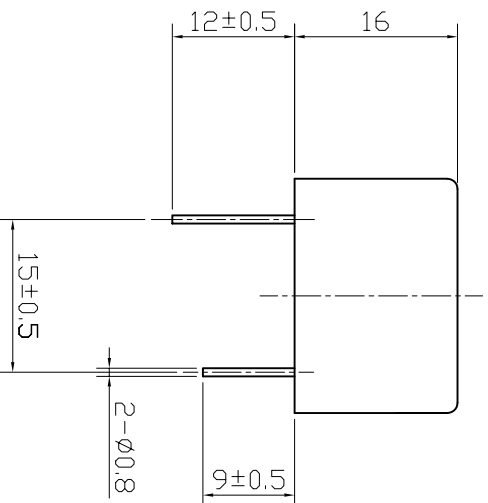


SPECIFICATION

- 1. Rated Voltage 3VDC
- 2. Operating Voltage 2~5VDC
- 3. Max. Rated Current 25mA at 3VDC
- 4. Resonant Frequency 3.4±0.5KHz
- 5. Min. Sound Pressure Level..... 80dB at 3VDC/30cm
- 6. Tone Nature Continuous
- 7. Case Material ABS
- 8. Operating Temperature -20~+60°C
- 9. Store Temperature -30~+70°C
- 10. Weight 8g



No.	DESCRIPTION	APPROVED	DATE	KEPO NINGBO KEEP IMPROVING ELECTRONIC CO.,LTD http://www.chinaacoustic.com	
TOLERANCES: UNLESS NOTED OTHERWISE		APPROVALS	DATE		
mm	DRAWN	CHECKED			
XXX.X	APP			UNIT	DWG NO.
90° ANGLES ±1°	CHECKED			mm	KP3.840.116
FIRST ANGLE PROJECTION	APPROVED		03.08.06	SCALE	SHEET
				NOT TO SCALE	VER. 1.0