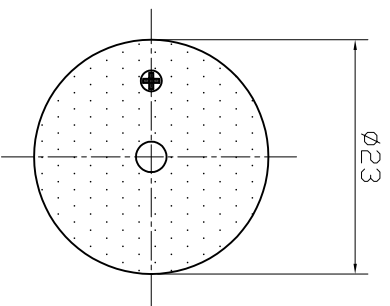
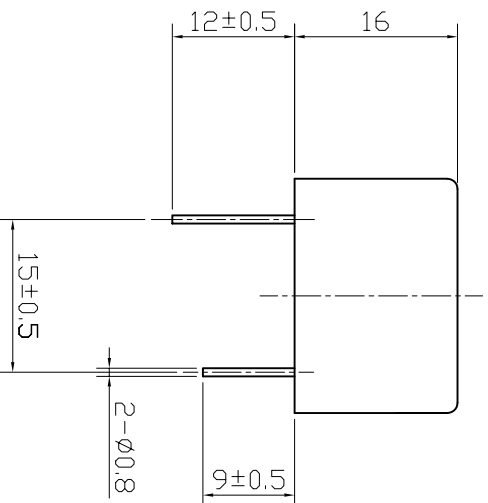


# SPECIFICATION

- 1. Rated Voltage ..... 6VDC
- 2. Operating Voltage ..... 4~8VDC
- 3. Max. Rated Current ..... 20mA at 6VDC
- 4. Resonant Frequency ..... 3.4±0.5KHz
- 5. Min. Sound Pressure Level..... 82dB at 6VDC/30cm
- 6. Tone Nature ..... Continuous
- 7. Case Material ..... ABS
- 8. Operating Temperature ..... -20~+60°C
- 9. Store Temperature ..... -30~+70°C
- 10. Weight ..... 8g



No.	DESCRIPTION	APPROVED	DATE	<b>KEPO</b> NINGBO KEEP IMPROVING ELECTRONIC CO.,LTD <a href="http://www.chinaacoustic.com">http://www.chinaacoustic.com</a>	
TOLERANCES: UNLESS NOTED OTHERWISE	APPROVALS	DATE			
XXX ± XXX ± 90° ANGLES ±° FIRST ANGLE PROJECTION	DRAWN				
CHECKED	APPROVED		03.08.07	UNIT	DWG NO.
				mm	KP3.840.116.01
				SCALE	SHEET
				NOT TO SCALE	VER. 1.0