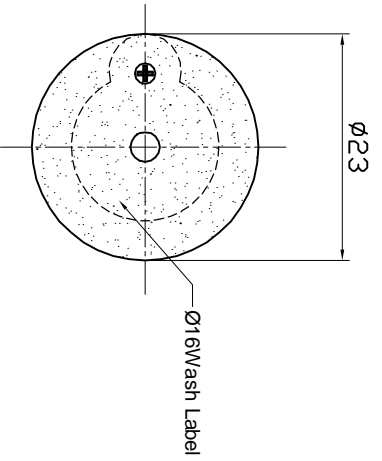
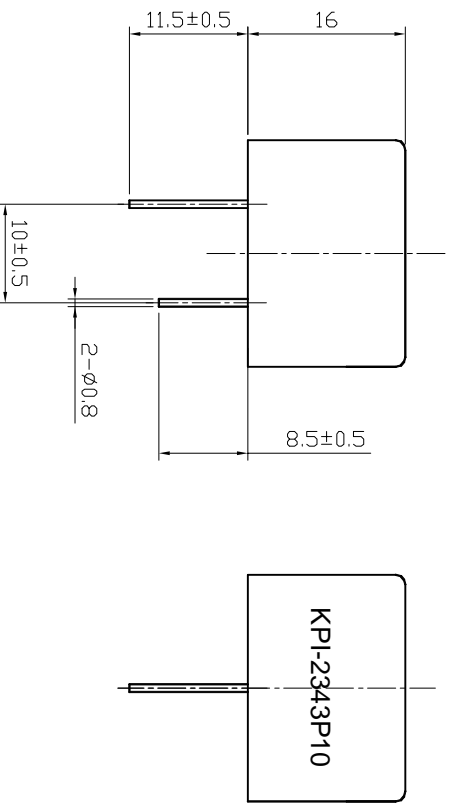


SPECIFICATION

- 1. Rated Voltage 12VDC
- 2. Operating Voltage 8-15VDC
- 3. Max. Rated Current 15mA at 12VDC
- 4. Resonant Frequency 3.3±0.5KHz
- 5. Min. Sound Pressure Level..... 88dB at 12VDC/30cm
- 6. Tone Nature Continuous
- 7. Case Material ABS
- 8. Operating Temperature -20~+60℃
- 9. Store Temperature -30~+70℃
- 10. Weight 8g



KEPO NINGBO KEPO ELECTRONIC CO.,LTD http://www.chinadacoustic.com		Piezo Buzzer KPI-2343P10		UNIT: mm DWGNO: OEM2924 SCALE: NOT TO SCALE SHEET: VER: 1.1	
NO.	DESCRIPTION	APPROVED	DATE		
DESIGNER/INCHES NOTED OTHERS/INCHES XX X XXX X 90° ANGLE ±1° FIRST ANGLE PROJECTION		DRAWN CHECKED APPROVED		DATE	

A	1	2	3	4	5	6	7	8																		
B																										
C																										
D	1. Rated Voltage 12VDC 2. Operating Voltage 8-15VDC 3. Max. Rated Current 15mA at 12VDC 4. Resonant Frequency 3.3±0.5KHz 5. Min. Sound Pressure Level..... 88dB at 12VDC/30cm 6. Tone Nature Continuous 7. Case Material ABS 8. Operating Temperature -20~+60℃ 9. Store Temperature -30~+70℃ 10. Weight 8g																									
E	<table border="1" style="width: 100%; border-collapse: collapse;"> <tr> <td colspan="2" style="text-align: center;"> KEPO NINGBO KEPO ELECTRONIC CO.,LTD http://www.chinadacoustic.com </td> <td colspan="2" style="text-align: center;"> Piezo Buzzer KPI-2343P10 </td> <td colspan="2" style="text-align: center;"> UNIT: mm DWGNO: OEM2924 SCALE: NOT TO SCALE SHEET: VER: 1.1 </td> </tr> <tr> <td style="width: 10%;">NO.</td> <td style="width: 40%;">DESCRIPTION</td> <td style="width: 10%;">APPROVED</td> <td style="width: 10%;">DATE</td> <td style="width: 10%;"></td> <td style="width: 10%;"></td> </tr> <tr> <td colspan="2"> DESIGNER/INCHES NOTED OTHERS/INCHES XX X XXX X 90° ANGLE ±1° FIRST ANGLE PROJECTION </td> <td colspan="2"> DRAWN CHECKED APPROVED </td> <td colspan="2"> DATE </td> </tr> </table>								KEPO NINGBO KEPO ELECTRONIC CO.,LTD http://www.chinadacoustic.com		Piezo Buzzer KPI-2343P10		UNIT: mm DWGNO: OEM2924 SCALE: NOT TO SCALE SHEET: VER: 1.1		NO.	DESCRIPTION	APPROVED	DATE			DESIGNER/INCHES NOTED OTHERS/INCHES XX X XXX X 90° ANGLE ±1° FIRST ANGLE PROJECTION		DRAWN CHECKED APPROVED		DATE	
KEPO NINGBO KEPO ELECTRONIC CO.,LTD http://www.chinadacoustic.com		Piezo Buzzer KPI-2343P10		UNIT: mm DWGNO: OEM2924 SCALE: NOT TO SCALE SHEET: VER: 1.1																						
NO.	DESCRIPTION	APPROVED	DATE																							
DESIGNER/INCHES NOTED OTHERS/INCHES XX X XXX X 90° ANGLE ±1° FIRST ANGLE PROJECTION		DRAWN CHECKED APPROVED		DATE																						
F	1	2	3	4	5	6	7	8																		