

1

2

3

4

5

6

7

8

A

B

C

D

E

F

A

B

C

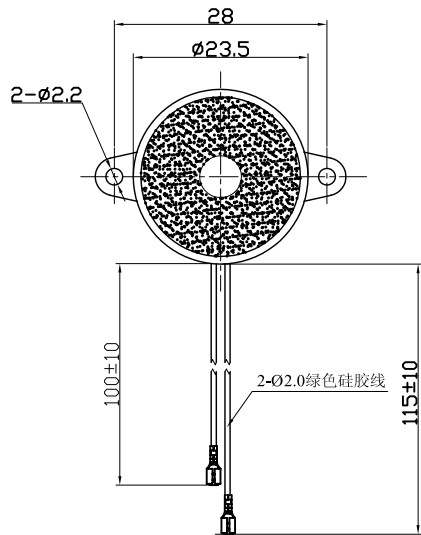
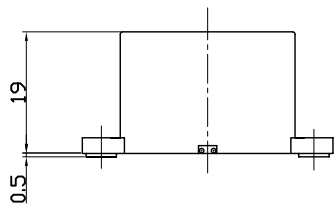
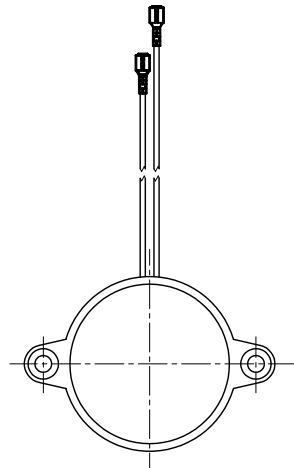
D

E

F

SPECIFICATION

- 1. Rated Voltage220VAC
- 2. Operating Voltage180~240VAC
- 3. Max. Rated Current4mA at 220VAC
- 4. Min. Sound Pressure Level.....75dB at 220VAC/30cm
- 5. Tone NatureContinuous
- 6. Case MaterialPC
- 7. Operating Temperature-20~+60°C
- 8. Store Temperature-30~+70°C
- 9. Weight4g



				KEPO NINGBO KEPO ELECTRONIC CO.,LTD http://www.chinaacoustic.com	
No.		DESCRIPTION	APPROVED	DATE	Pizeo Buzzer KPI-2375
			APPROVALS	DATE	
TOLERANCES UNLESS NOTED OTHERWISE X ± .XX ± .XXX ± 90° FORMED ±1° ANGLES -1°		DRAWN			UNIT
FIRST ANGLE PROJECTION		CHECKED			DWG NO.
		APPROVED		04.12.17	mm
					SCALE
					NOT TO SCALE
					VER 1.4
				KP3.840.156	

1

2

3

4

5

6

7

8