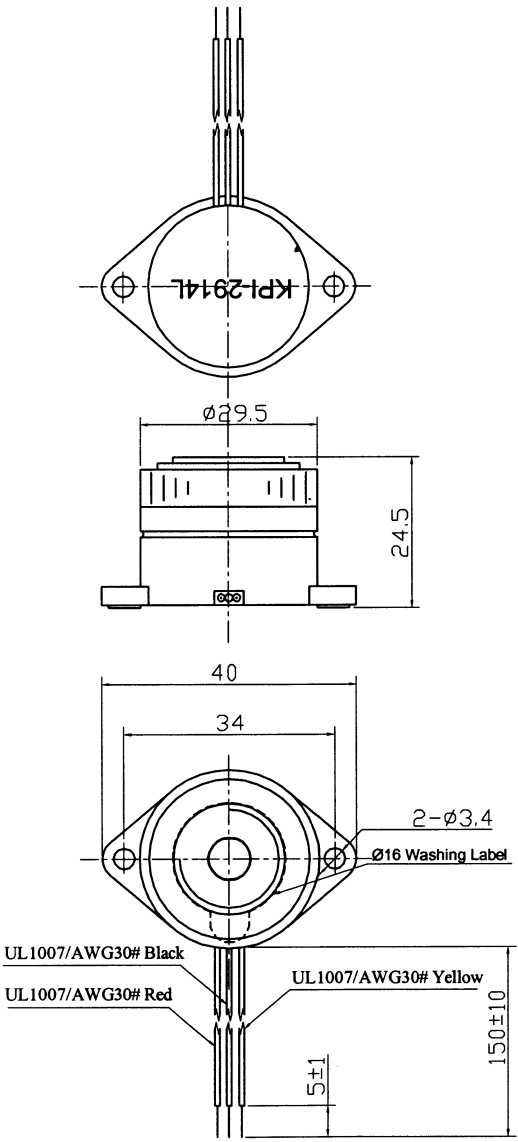


SPECIFICATION



- 1. Rated Voltage12VDC
 - 2. Operating Voltage3~24VDC
 - 3. Max. Rated Current15mA at 12VDC
 - 4. Resonant Frequency3.7±0.5KHz
 - 5. Min. Sound Pressure Level.....90(85)dB at 12VDC/30cm
 - 6. Tone NatureContinuous+Fast Pulse
 - 7. Case MaterialABS
 - 8. Operating Temperature-20 ~ +60°C
 - 9. Store Temperature-30 ~ +70°C
 - 10. Weight17g
- Color coding:
- Red(红).....Positive(+)
 - Black(黑).....Continuous(-)
 - Yellow(黄).....Fast Pulse(-)

				KEPO NINGBO KEPO ELECTRONIC CO.,LTD http://www.chinaacoustic.com	
No.		DESCRIPTION		APPROVED	DATE
TOLERANCES UNLESS NOTED OTHERWISE		APPROVALS		DATE	
<small> .X .A .XX .AA .XXX .AAA 90° FORMED ±.1° ANGLES .1° FIRST ANGLE PROJECTION </small>		<small>DRAWN</small> <small>CHECKED</small> <small>APPROVED</small>			
				UNIT	DWG NO.
				mm	OEM2939
				SCALE	SHEET
				08.05.22	NOT TO SCALE
					VER 1.0